


# PRODUCT SHEET

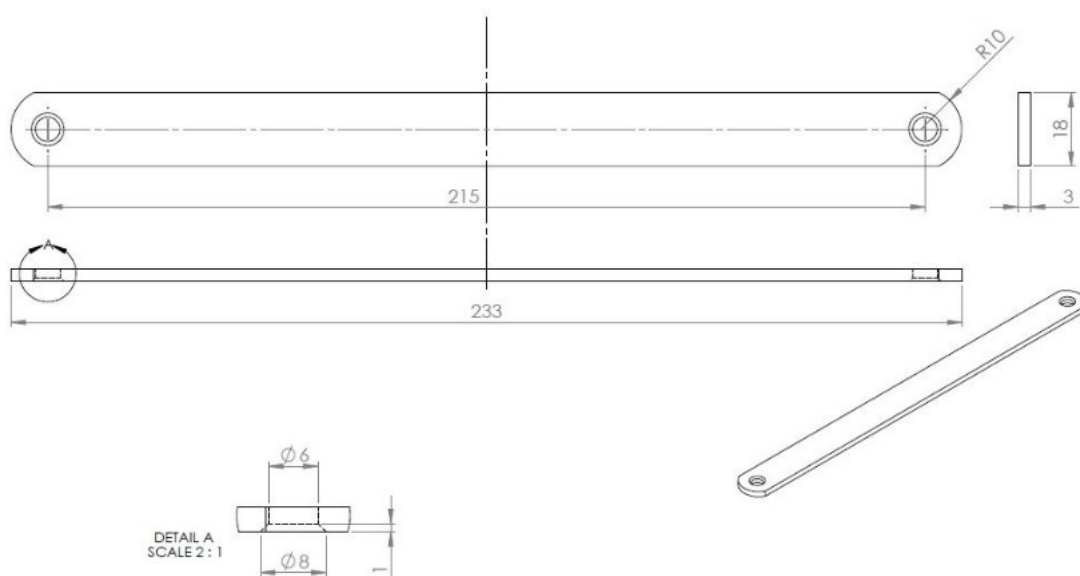
**Description:**

Steel Strap, YZP 6 MY, L 233mm W 18mm Thick 3.0mm, cc 215mm

**Item number:**

04.03.419-0

Units	Box	Carton	HS Code	Barcode
Pcs.		150	8302420090	 5704866464253



**SISO A/S**

Mileparken 11  
DK-2740 Skovlunde  
Denmark  
VAT: DK 24786013

Phone +45 45 830 900

[www.siso.dk](http://www.siso.dk)  
[siso@siso.dk](mailto:siso@siso.dk)

Danske Bank  
Nytorv Branch  
Copenhagen  
SWIFT: DABADKKK

Account no.  
4180 3112 112936  
IBAN Account  
DK7230003112112936