


PRODUCT SHEET

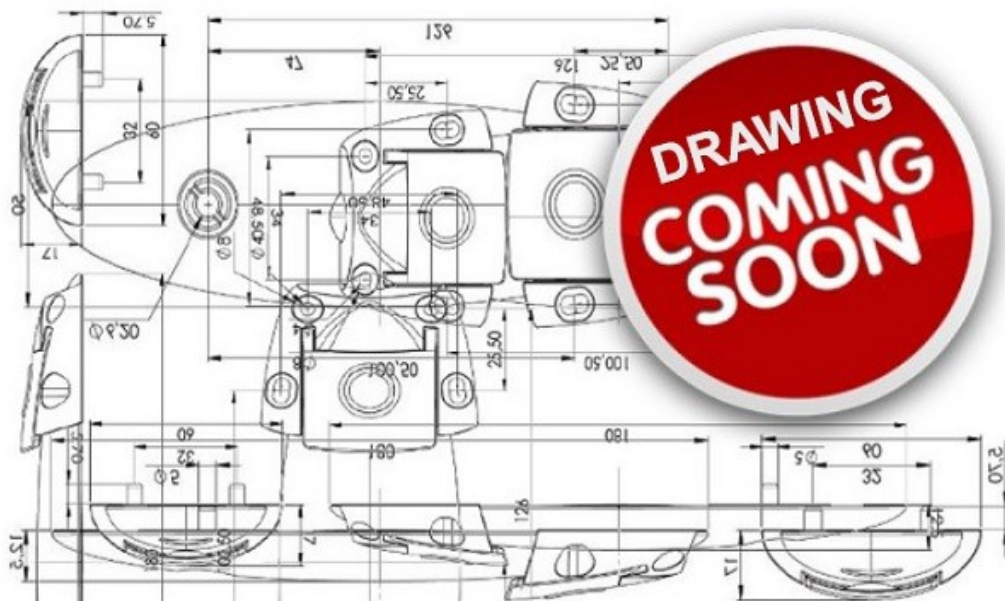
Description:

Pawl F/Single Legged Armrest F/Recliner Chair Yellow Zinc Pl

Item number:

04.05.016-0

Units	Box	Carton	HS Code	Barcode
Pcs.		250	8302420090	 5704866002851



SISO A/S

Mileparken 11
DK-2740 Skovlunde
Denmark
VAT: DK 24786013

Phone +45 45 830 900

www.siso.dk
siso@siso.dk

Danske Bank
Nytorv Branch
Copenhagen
SWIFT: DABADKKK

Account no.
4180 3112 112936
IBAN Account
DK7230003112112936