


# PRODUCT SHEET

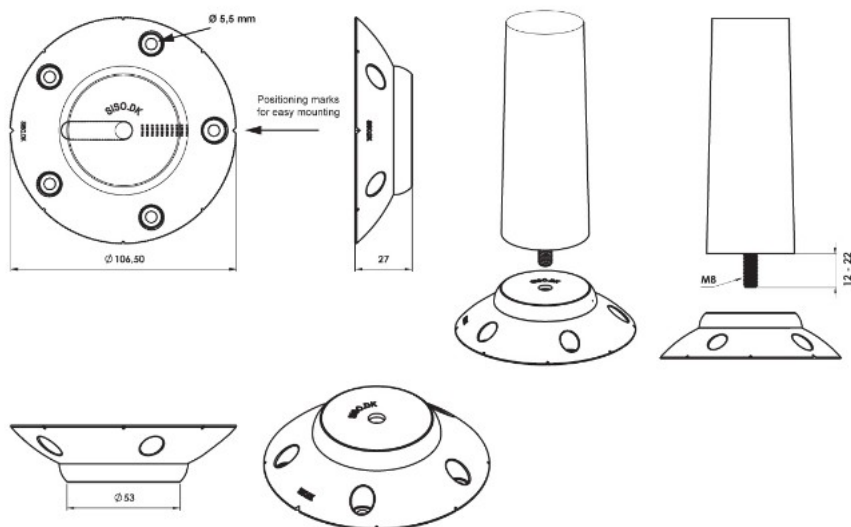
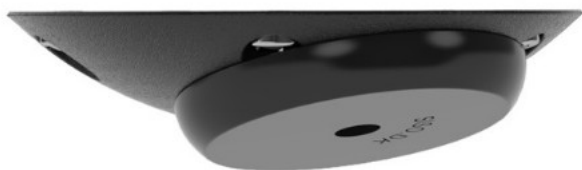
## Description:

Table Leg Connector "Twister",  $\varnothing 107 \times 27$  mm, Black PC, W/Angle Adjustment Function, Stepless, 20 Degrees, F/M8 Hangerbolt,, Thread Lenght on Bolt 12-22mm, Bulk Packing

## Item number:

06.11.100-1

Units	Box	Carton	HS Code	Barcode
Pcs.	1	140	3926300090	
				5704866455824



## SISO A/S

Mileparken 11  
DK-2740 Skovlunde  
Denmark  
VAT: DK 24786013

Phone +45 45 830 900

[www.siso.dk](http://www.siso.dk)  
[siso@siso.dk](mailto:siso@siso.dk)

Danske Bank  
Nytorv Branch  
Copenhagen  
SWIFT: DABADKKK

Account no.  
4180 3112 112936  
IBAN Account  
DK7230003112112936