


# PRODUCT SHEET

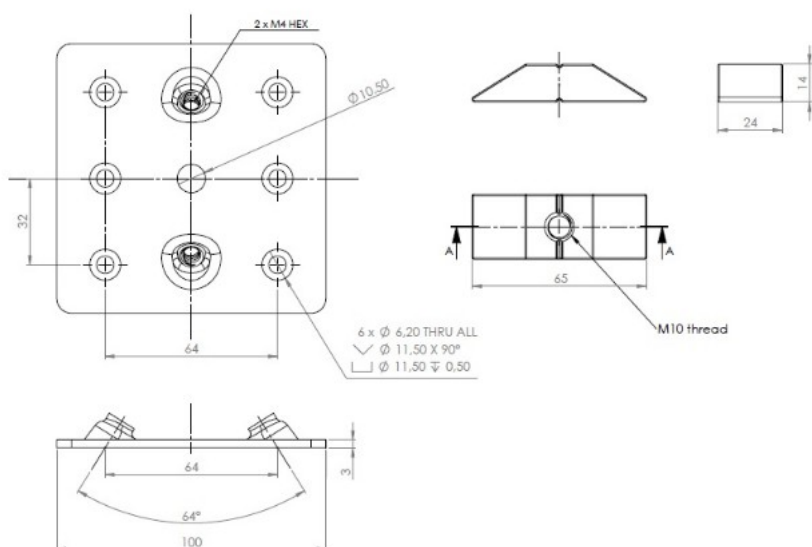
## Description:

Leg Connector "X-treme", 100x100mm, SS304 Brushed, F/M10 Bolt

## Item number:

06.11.230-0

Units	Box	Carton	HS Code	Barcode
Set	4	40	8302420090	
				5704866505345



## SISO A/S

Mileparken 11  
DK-2740 Skovlunde  
Denmark  
VAT: DK 24786013

Phone +45 45 830 900

www.siso.dk  
siso@siso.dk

Danske Bank  
Nytorv Branch  
Copenhagen  
SWIFT: DABADKKK

Account no.  
4180 3112 112936  
IBAN Account  
DK7230003112112936