


PRODUCT SHEET

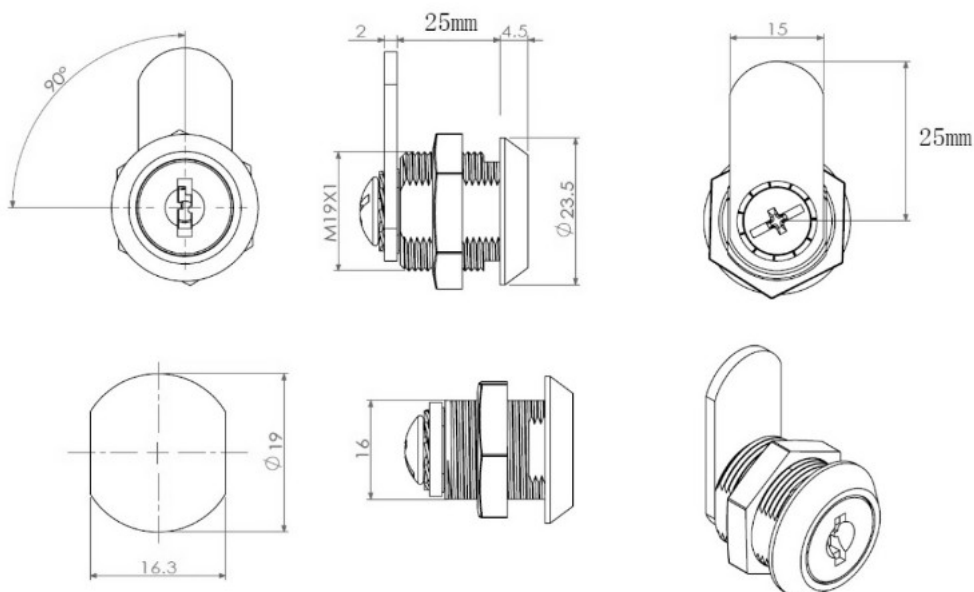
Description:

Cam Lock M1925S, 90DG, Cam No. A01, Black, Snake MK SISO, #01 With Full Thread, Master Key System #01

Item number:

14.04.497-5

| Units | Box | Carton | HS Code | Barcode |
|-------|-----|--------|------------|--|
| Pcs. | 20 | 200 | 8301300000 |  |
| | | | | 5704866515269 |



SISO A/S

Mileparken 11
DK-2740 Skovlunde
Denmark
VAT: DK 24786013

Phone +45 45 830 900

www.siso.dk
siso@siso.dk

Danske Bank
Nytorv Branch
Copenhagen
SWIFT: DABADKKK

Account no.
4180 3112 112936
IBAN Account
DK7230003112112936