


PRODUCT SHEET

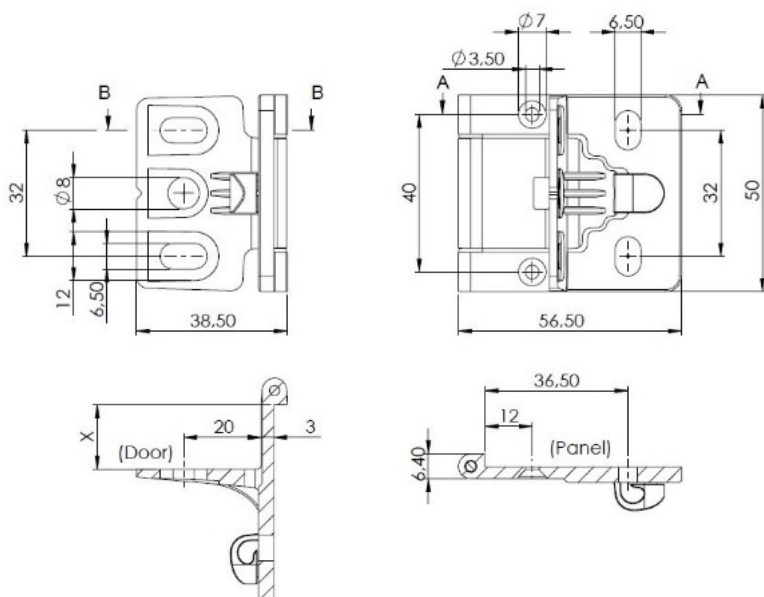
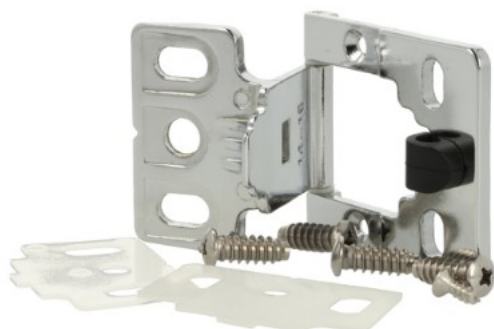
Description:

Cabinet Hinge "Easy", F/Inset Doors, CPL, Min.180DG, F/14-16mm Panel, W/Catch, Zamak Body & Stainless Steel Axel, Incl. 4, SS Euro Screws $\varnothing 6,3 \times 16$ mm + 2 CSK Steel Screws $3,5 \times 10$ mm, & 2 White PA6 Gaskets - 1mm

Item number:

15.04.110-0

Units	Box	Carton	HS Code	Barcode
Pcs.	10	200	8302100090	 5704866484923



SISO A/S

Mileparken 11
DK-2740 Skovlunde
Denmark
VAT: DK 24786013

Phone +45 45 830 900

www.siso.dk
siso@siso.dk

Danske Bank
Nytorv Branch
Copenhagen
SWIFT: DABADKKK

Account no.
4180 3112 112936
IBAN Account
DK7230003112112936