


# PRODUCT SHEET

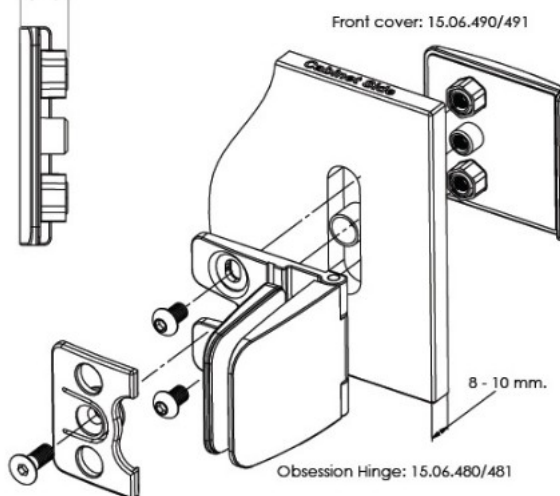
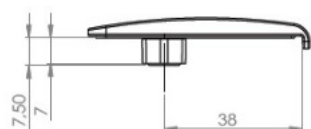
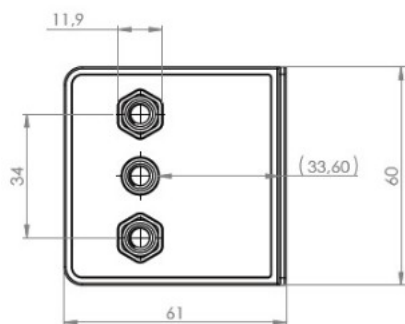
## Description:

Front Cover F/Glass Wall Fixing, F/Obsession Hinge, CPL,

## Item number:

15.06.490-0

Units	Box	Carton	HS Code	Barcode
Pcs.	1	100	8302420090	
				5704866510264



Smart Fixation plate: 15.06.485/486

## SISO A/S

Mileparken 11  
DK-2740 Skovlunde  
Denmark  
VAT: DK 24786013

Phone +45 45 830 900

www.siso.dk  
siso@siso.dk

Danske Bank  
Nytorv Branch  
Copenhagen  
SWIFT: DABADKKK

Account no.  
4180 3112 112936  
IBAN Account  
DK7230003112112936