


## PRODUCT SHEET

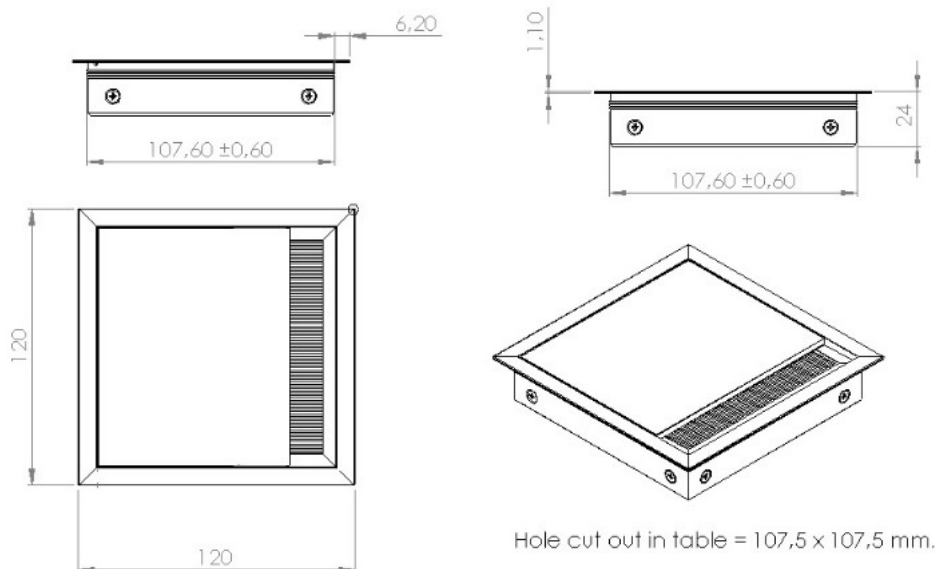
### Description:

Alu. Grommet "Forro" 120x120x24mm, Anodized, W/Brush, Bumper & Straight Lid, Inner Size 107,6x107,6mm,, Tolerance +/-0,6

### Item number:

25.20.347-0

Units	Box	Carton	HS Code	Barcode
Pcs.	1	160	7616991099	
				5704866447744



### SISO A/S

Mileparken 11  
DK-2740 Skovlunde  
Denmark  
VAT: DK 24786013

Phone +45 45 830 900

[www.siso.dk](http://www.siso.dk)  
[siso@siso.dk](mailto:siso@siso.dk)

Danske Bank  
Nytorv Branch  
Copenhagen  
SWIFT: DABADKKK

Account no.  
4180 3112 112936  
IBAN Account  
DK7230003112112936