


PRODUCT SHEET

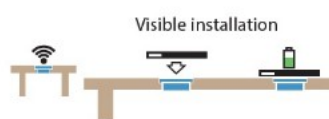
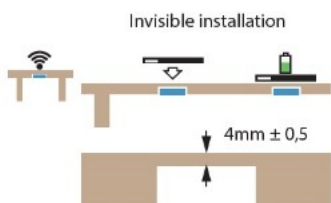
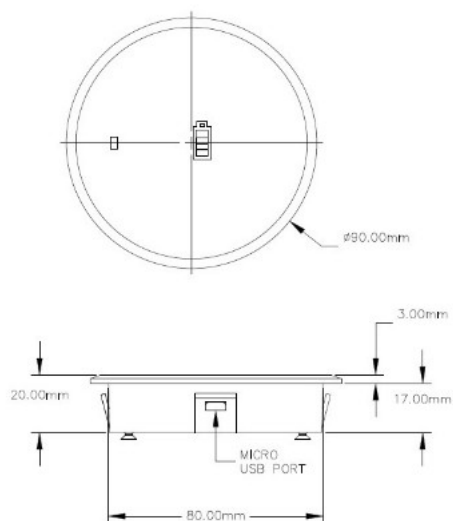
Description:

Wireless Charger Grommet, 15W, ø80mm Drilling, Black ABS, W/ 1,5 Mtr. Cable W/USB C Plug & Power Adaptor, May be installed, Visible or Invisible by removing the Top Lid

Item number:

25.22.703-0

Units	Box	Carton	HS Code	Barcode
Pcs.	1	40	8543709099	
				5704866457200



SISO A/S

Mileparken 11
DK-2740 Skovlunde
Denmark
VAT: DK 24786013

Phone +45 45 830 900

www.siso.dk
siso@siso.dk

Danske Bank
Nytorv Branch
Copenhagen
SWIFT: DABADKKK

Account no.
4180 3112 112936
IBAN Account
DK7230003112112936