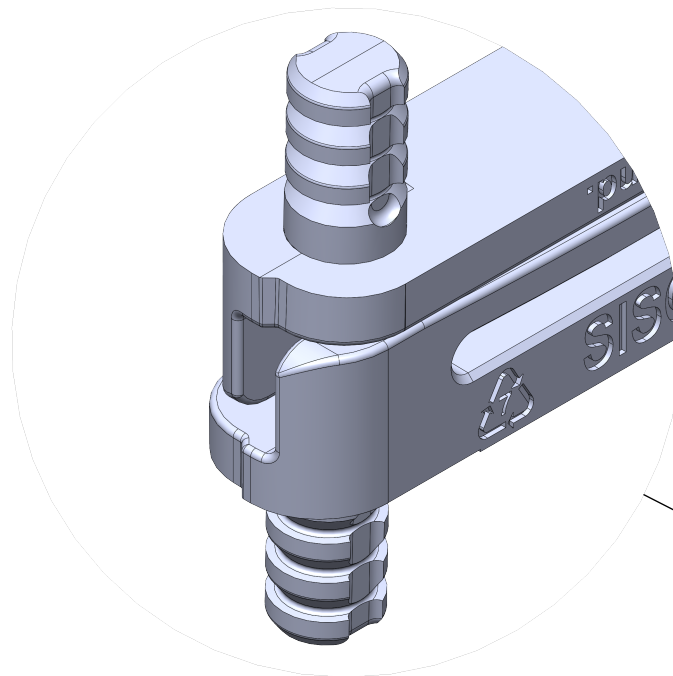
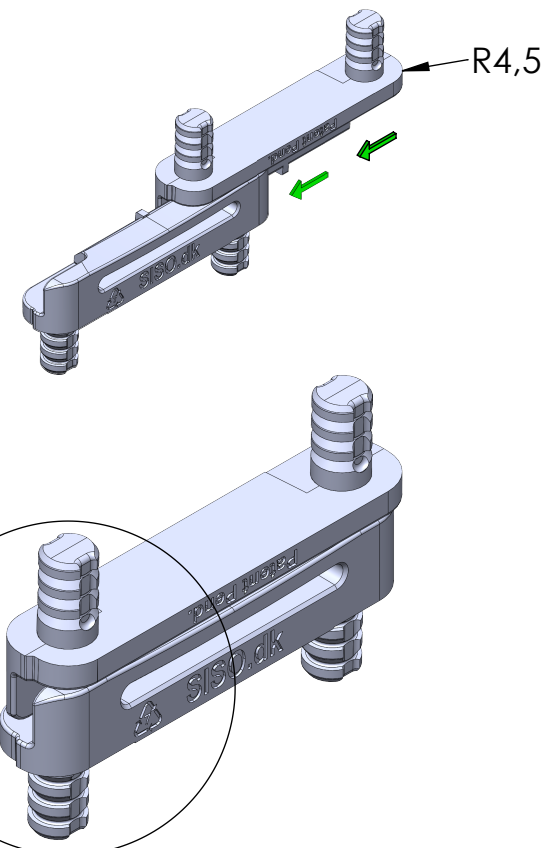
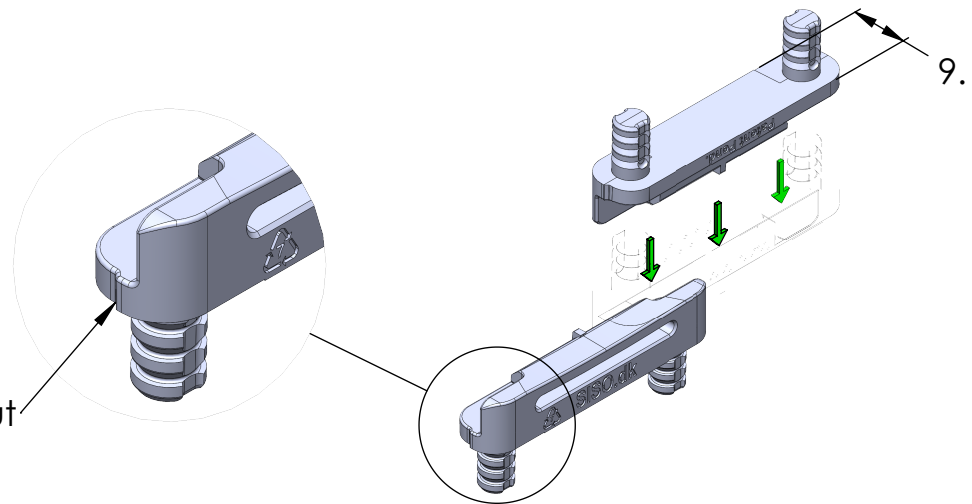
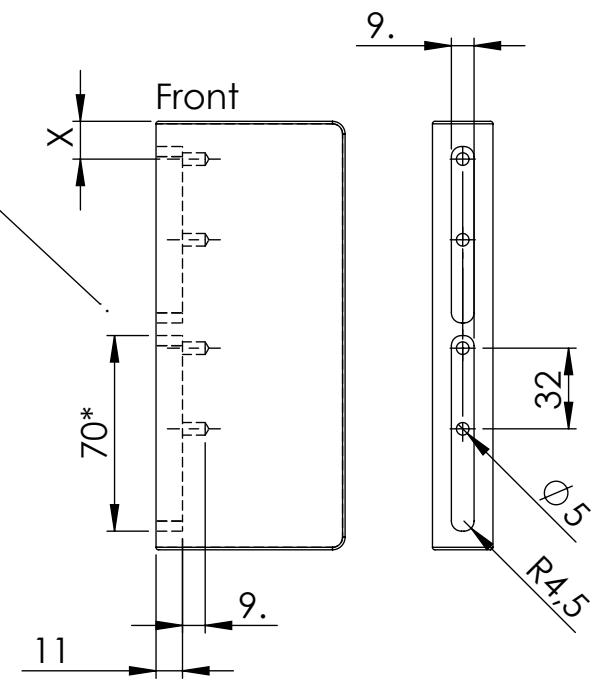
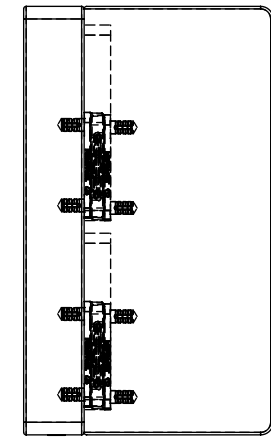
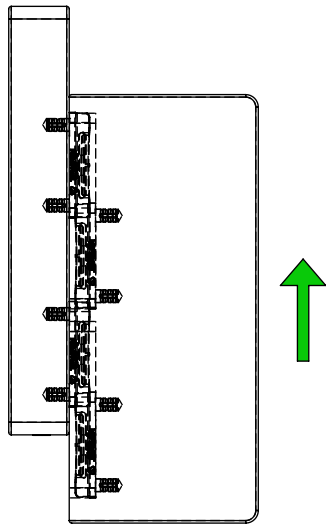
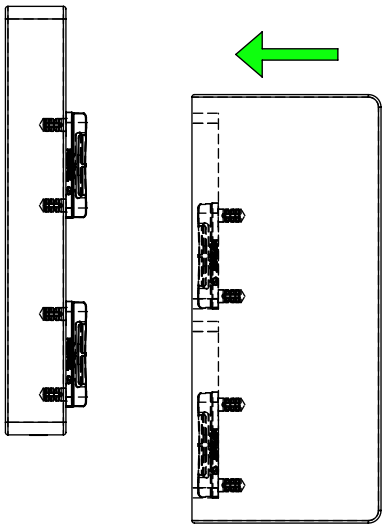
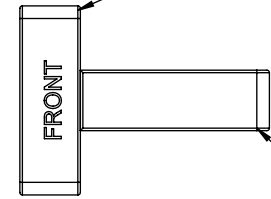
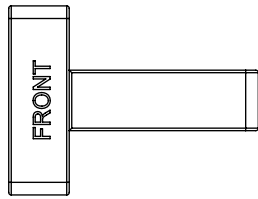
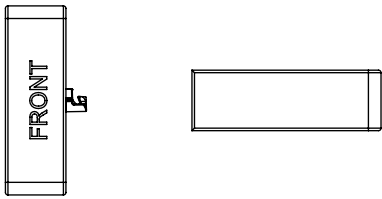
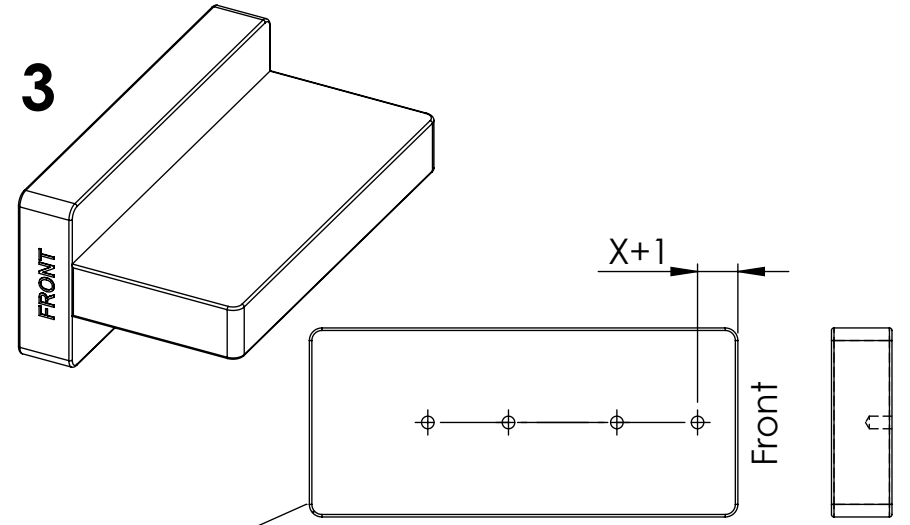
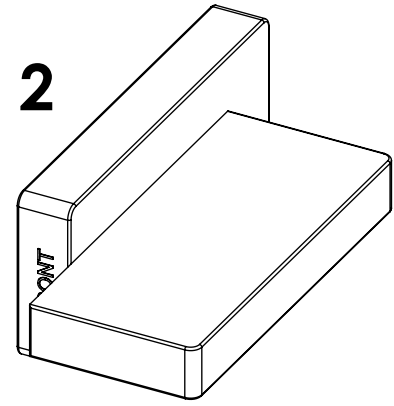
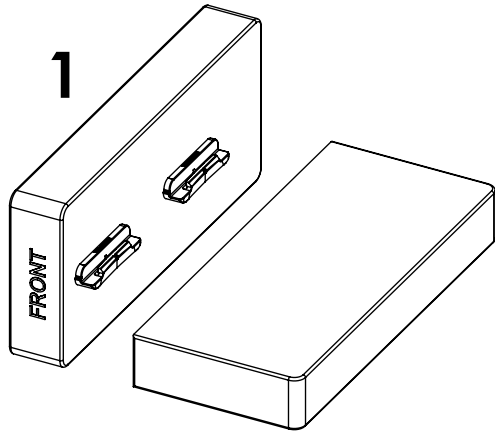


Notice: Orientation cut

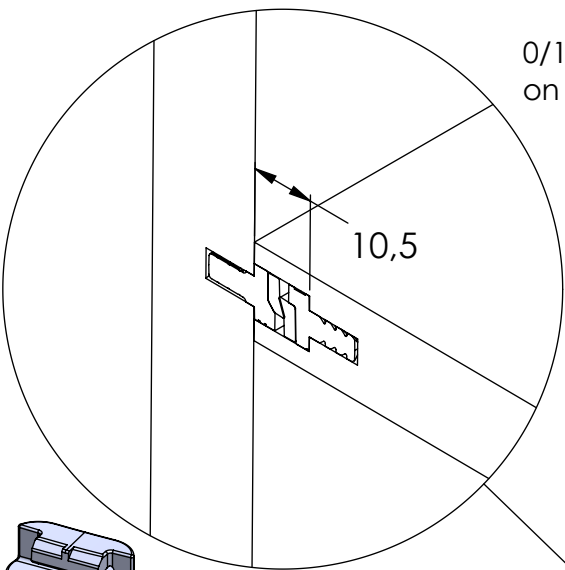


Notice: Orientation cut pointing in the same direction.

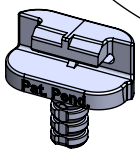




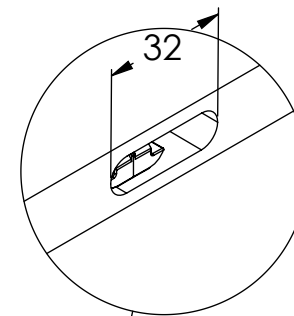
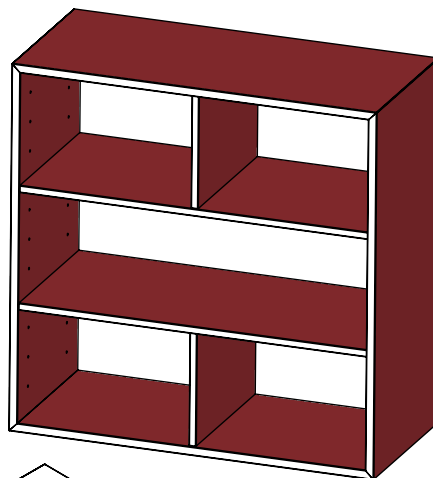
* = Recommended Measurements in mm.



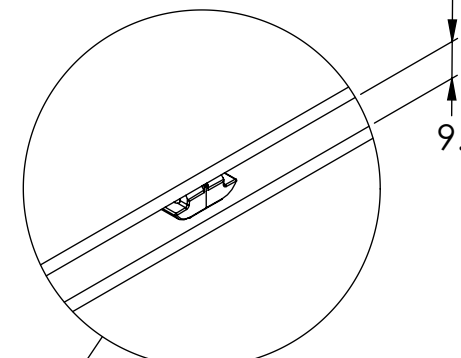
0/100 Installation
on a 90° connection.



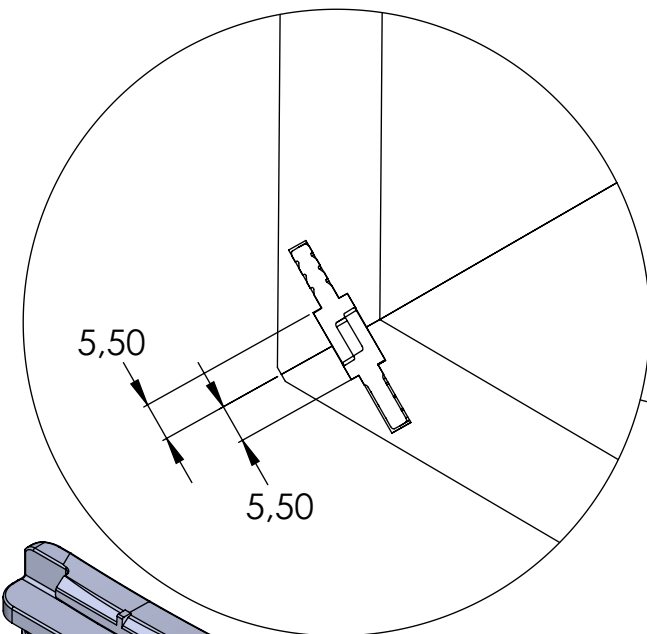
Temari



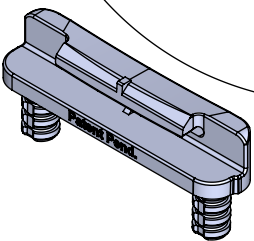
Pocket groove illustrated



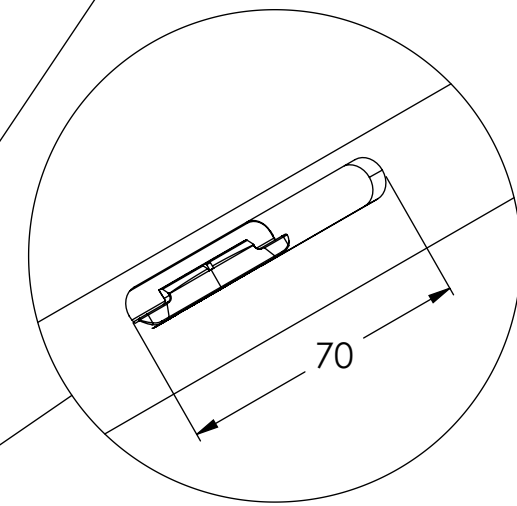
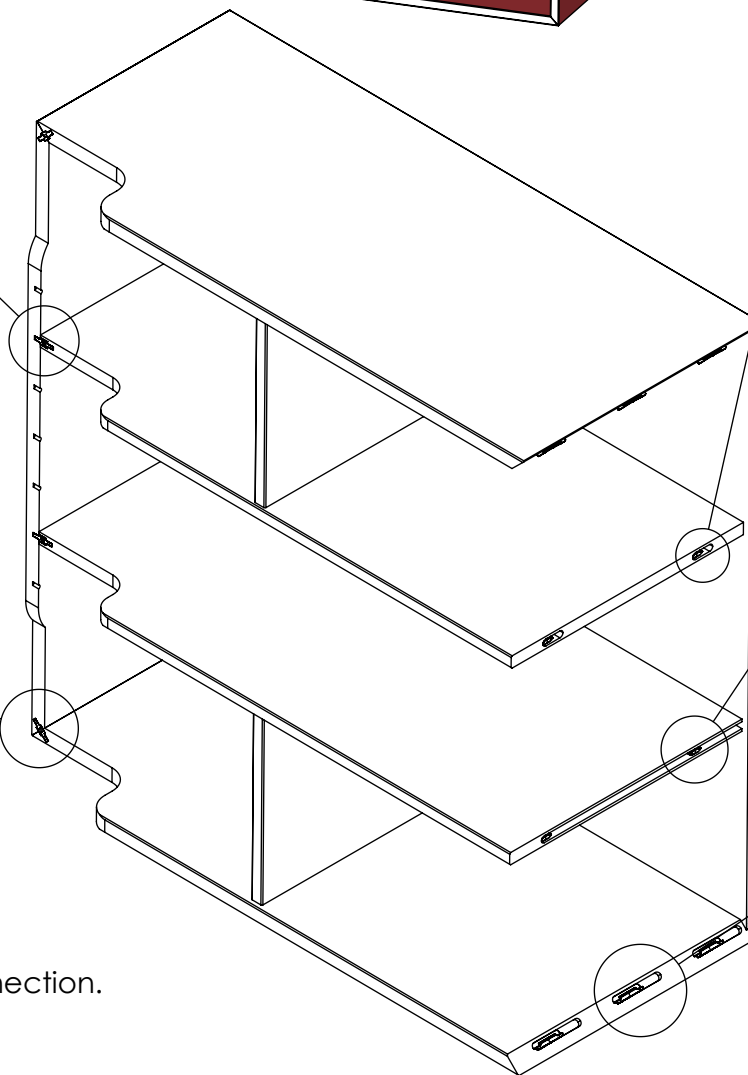
One stop groove illustrated



50/50 Installation
on a 45° corner connection.



Maki



Pocket groove shown on a 45° corner