

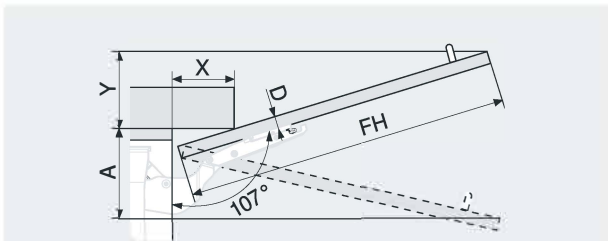
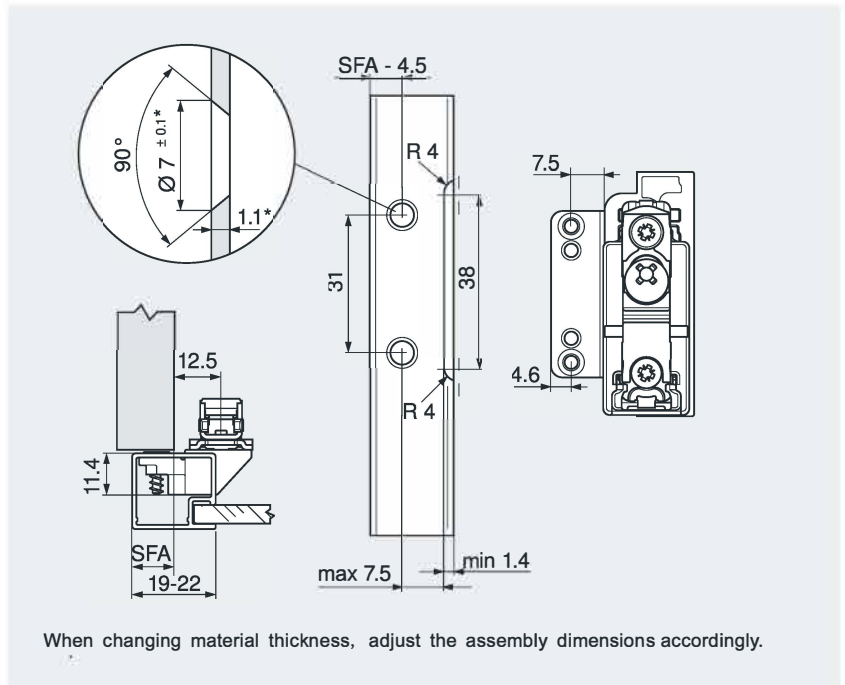
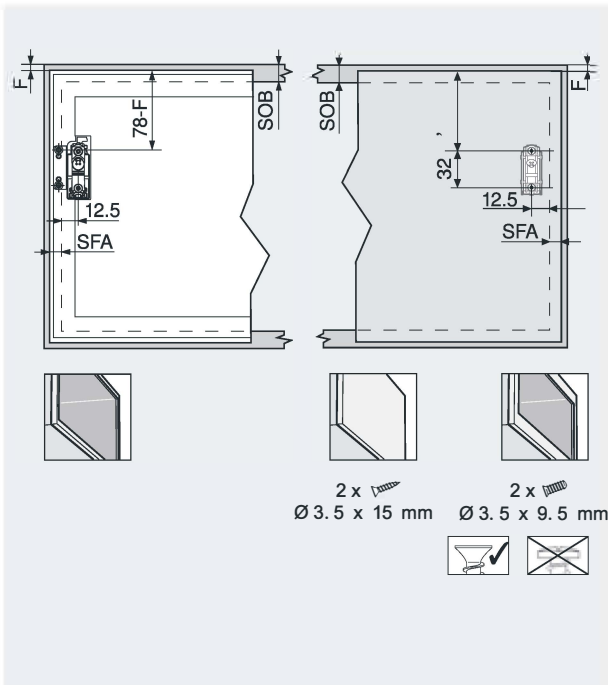
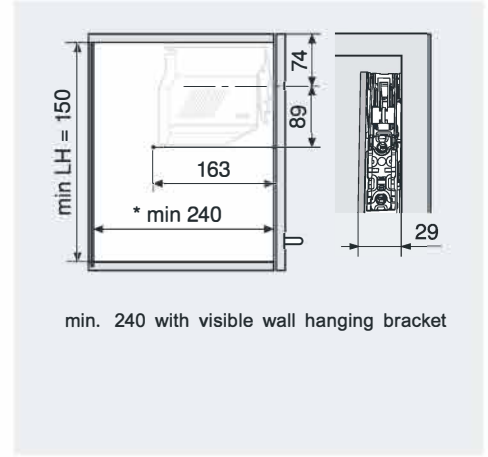
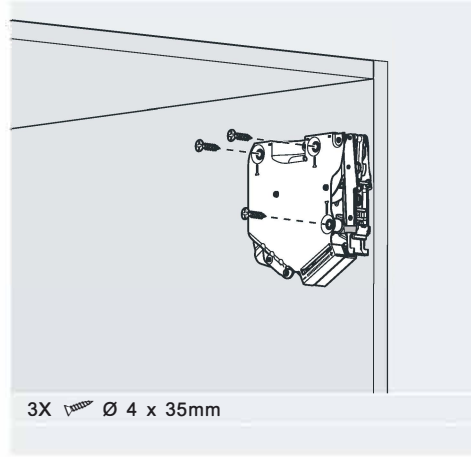
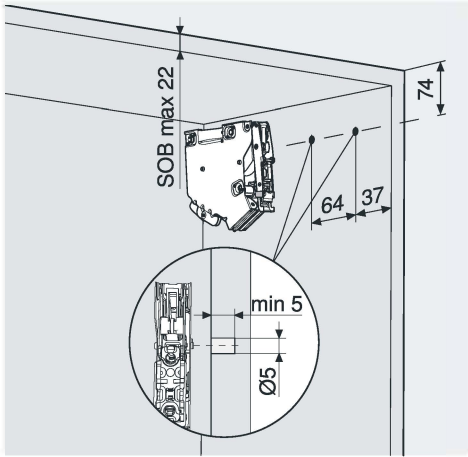
# FLAP STAY "TIP TOP"



Subject to technical changes without notice

- high quality furniture fittings

## Planning

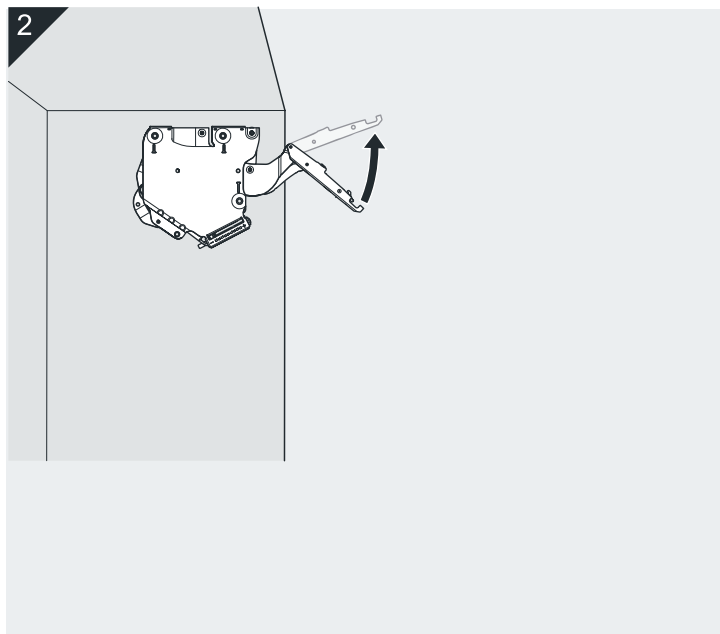
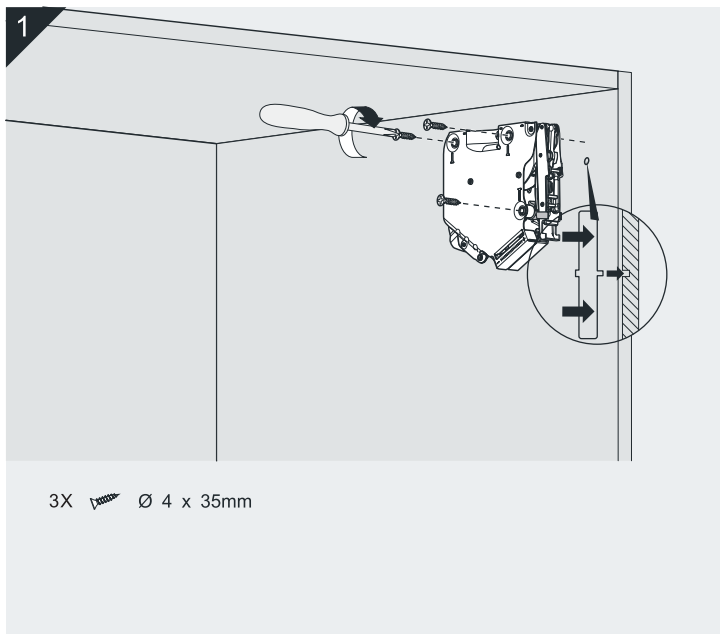


D (mm)	16	19	22	26
X (mm)	70	59	49	35

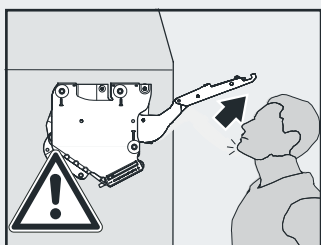
Without OEB	$Y = FH \times 0.29 - 15 + D$
OEB 100	$Y = FH \times 0.17 - 15 + D$
OEB 75°	$A = FH \times 0.26 + 15 - D$

F	gap
FH	Front height
Lh	Internal height
MF	Minimum gap
OEB	Opening angle stop
SFA	Side front overlay
SOB	Top panel thickness

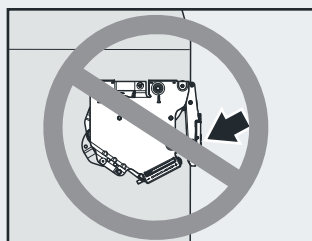
# Assembly



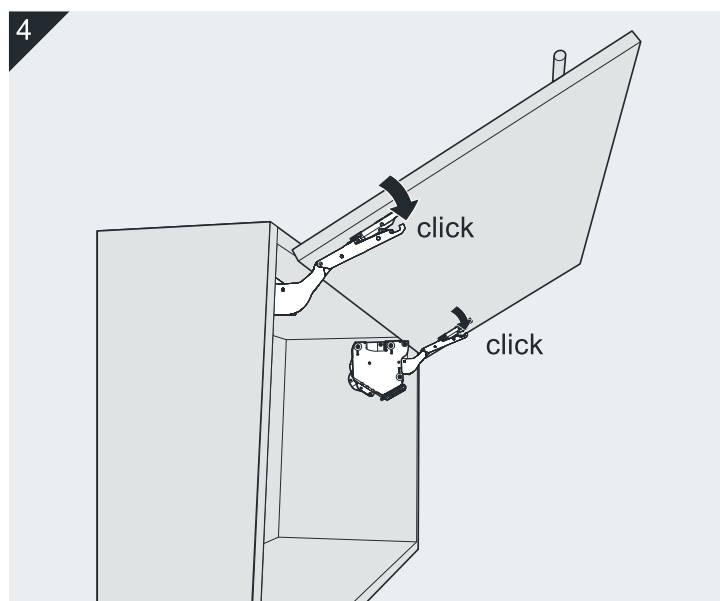
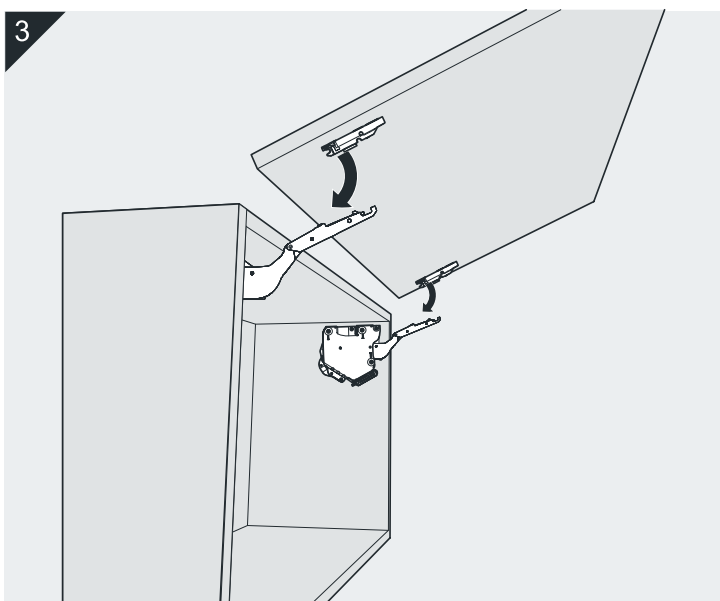
## Warning

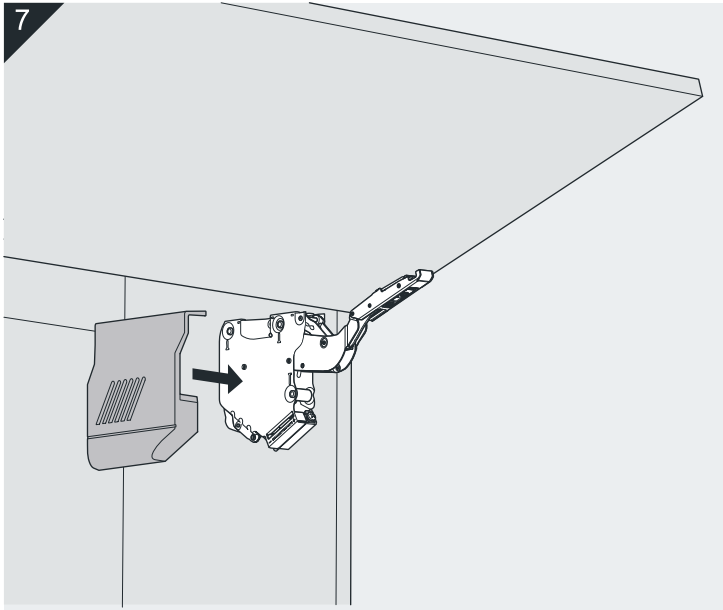
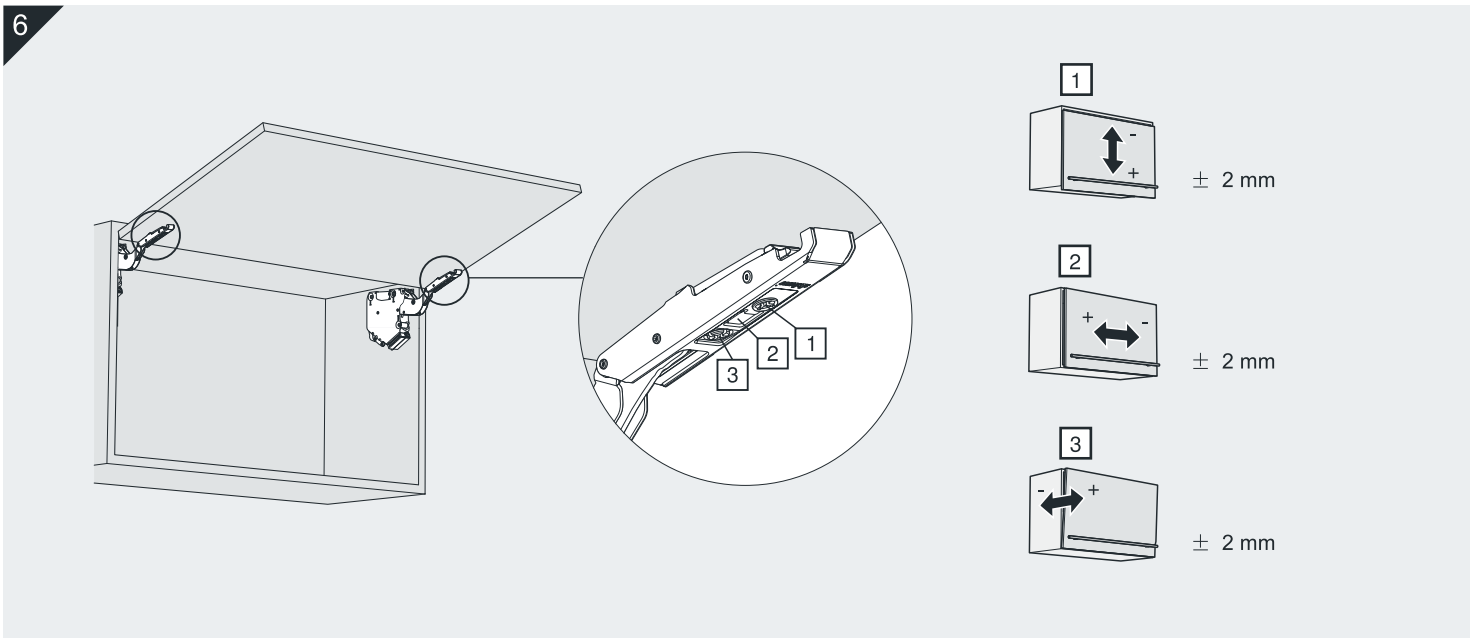
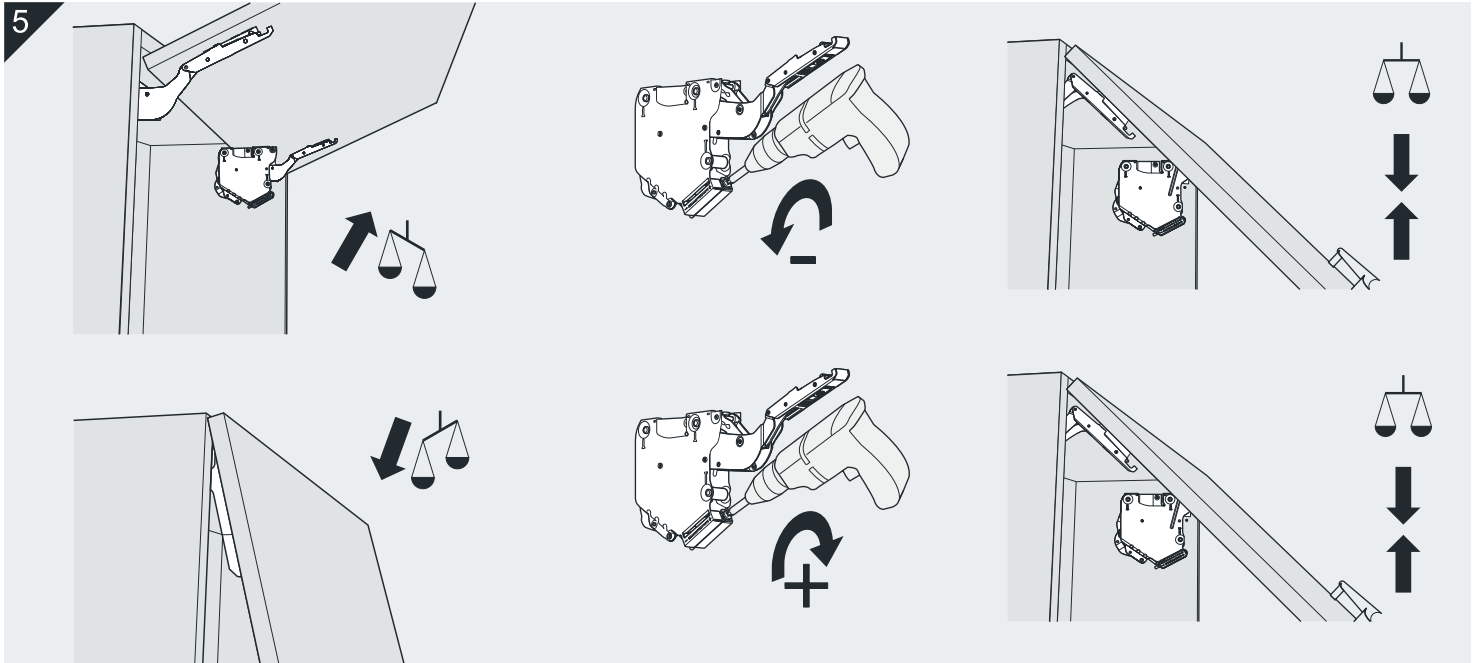


Lever could spring up and cause injury!

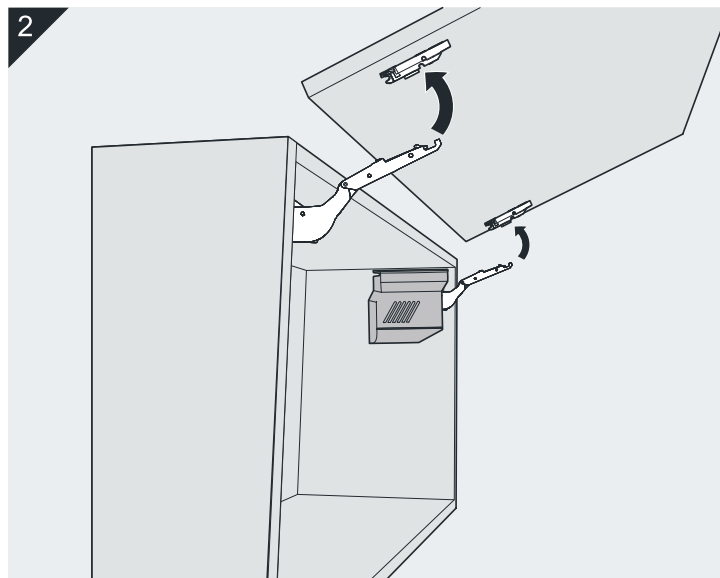
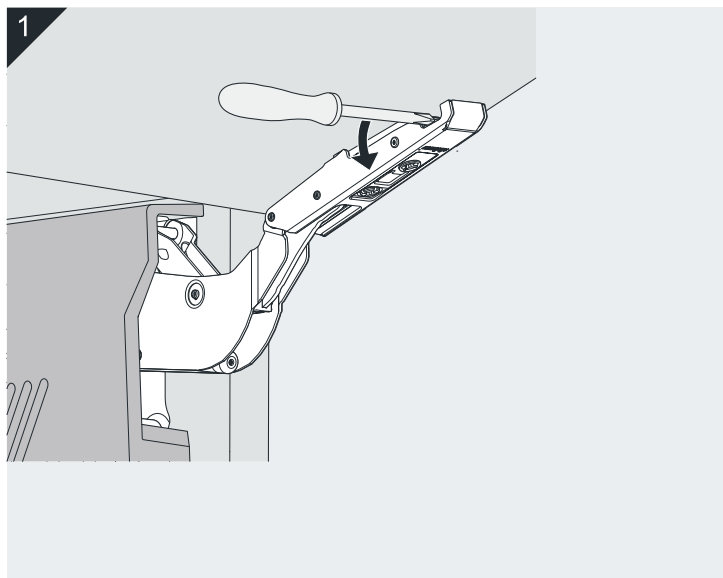


Do not push down/depress lever.

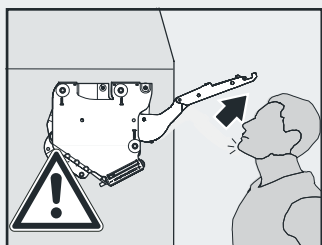




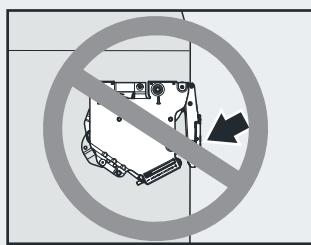
# Removal



## Warning



Lever could spring up and cause injury!



Do not push down/depress lever.

