

SISO LOCKS



- high quality furniture fittings



The technical descriptions and dimensions in this catalogue, also those with the photographs and drawings, are not binding. We reserve the right to make design improvements.

We bear no liability for any misprints or other errors that might occur in the production of the catalogue.

SISO A/S tager forbehold for trykfejl samt ændringer i produktets specifikationer.

Für Druckfehler und Irrtümer ist jede Haftung ausgeschlossen. Produktänderungen behalten wir uns vor.



- high quality furniture fittings
















SISO A/S
MILEPARKEN 11
DK - 2740 SKOVLUNDE
(COPENHAGEN)
DENMARK
PHONE: (+45) 45 830 900

DISTRIBUTOR

CONTENT

| | |
|--|-------|
| "MIC" SYSTEM | 7 |
| RIM LOCKS | 8-16 |
| SLAM LOCKS | 17-18 |
| ROLL BLIND LOCKS | 18-19 |
| SHUTTER/SLIDING DOOR LOCKS | 20-21 |
| FLAP LOCKS | 22 |
| CAM LOCKS | 23-28 |
| CAM PLATES & ACCESSORIES F/CAM LOCKS | 29-30 |
| PUSH LOCKS | 31-32 |
| "RV" LOCKS | 33-35 |
| WINDOW LOCKS | 36 |
| PADLOCKABLE CAM LOCKS | 37-39 |
| PADLOCKS | 39-41 |
| CENTRAL LOCKS | 42-48 |



| | | |
|-----------------------------------|---------|---|
| BOX LOCKS | 49 |  |
| MORTISE LOCKS | 50 |  |
| FURNITURE KEYS | 51-52 |  |
| ESCUTCHEONS | 53 |  |
| ESPAGNOLETTE LOCKS | 54-57 |  |
| PASQUIL CABINET LOCK | 58 |  |
| METAL FURNITURE LOCKS | 59-63 |  |
| LOCK ACCESSORIES | 64-69 |  |
| GLASS DOOR LOCKS | 70-87 |  |
| COMBINATION LOCKS W/DIGIT'S | 88-104 |  |
| KEY STORAGE | 105-107 |  |
| BRASS PROFILE CYLINDERS | 108-109 |  |
| DOOR LOCKS | 110-111 |  |
| COIN DEPOSIT LOCK | 112 |  |
| ELECTRONIC LOCKS | 113-122 |  |

PRESENTATION

Our locks are mainly made of zamak and are as standard supplied with 6 wafers, giving 400 different key combinations. **Master key system** and **Interchangeable Cylinders** are also available.

Some models are available with laser cut "Snake" keys, granting 1000 key combinations. Keys are made of solid brass material. Some models have brass pins & tubular keys, granting 2000 key combination.

All locks are supplied as standard with 1 rosette and 2 double dented keys, marked combination numbers.

Keys are as standard supplied with black nylon cover, and can also be supplied as "**hinged**" type. However the keys may also be supplied all metal.

Optional: Locks may be supplied with key combination number already prestamped on the cylinders. Locks with **Master key & Interchangeable system (MIC)** are as standard supplied key combination number already **prestamped on the cylinders**.

You may ask for your own designed key and logo. Only you have to order minimum 10,000 keys (= 5000 locks of different models).

ABBREVIATIONS/SYMBOLS

- K/A = *Key Alike (all locks same key code)*
- K/D = *Key to Differ (all locks different key code)*
- NPL = *Nickel Plated*
- BPL = *Brass Plated*
- CPL = *Chrome Plated*
- ALU = *Matt Chrome*
- BRZ = *Bronze Plated*
- BLK = *Black Anodized*
- Backset = *Distance from centre of key entrance to the edge of the lock, where the locking tongue protrudes.*
- M** = **Master Key System.** *We offer 5 different Master Key groups named: J-11, J-12, J-13, J-14 or J-15. The groups J-11 and J-12 are stock items. Other groups require a certain delivery time. **Master keys** are covered with **white nylon** and marked with Master key Group number, f.inst. J-12. This master key can open all 400 different key combinations in this group.*

MIC = *Master key & Interchangeable Cylinder*. Apart from a few models, most of our locks may be supplied with MIC system. Keys for changing the cylinder is covered with red nylon.

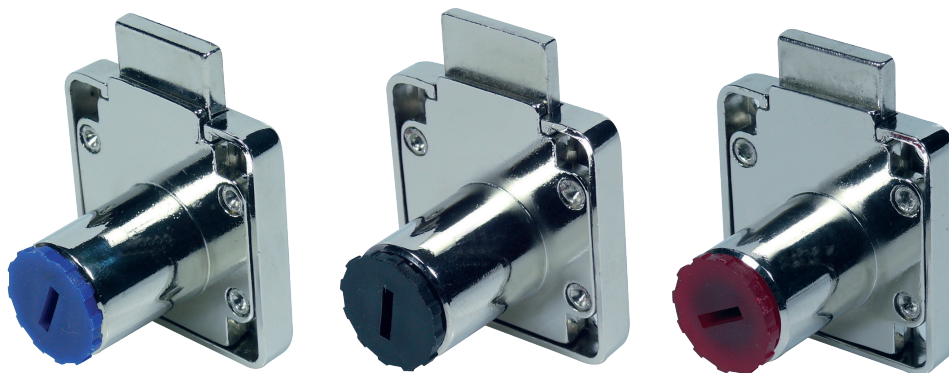
ADVANTAGE of MIC:

- 1) **Security:** You can install the cylinders or change same to desired key combination at the final location. This offers additional security against unauthorized opening.
- 2) **Comfort:** It is easy to change cylinders without having to dismantle or change the lock already installed. In case of lost keys you can open the furniture either with the master key or you can take out the cylinder with the red key and replace it by a new cylinder. Insertion of loose cylinder into the lock body out any additional accessories – just the red key.

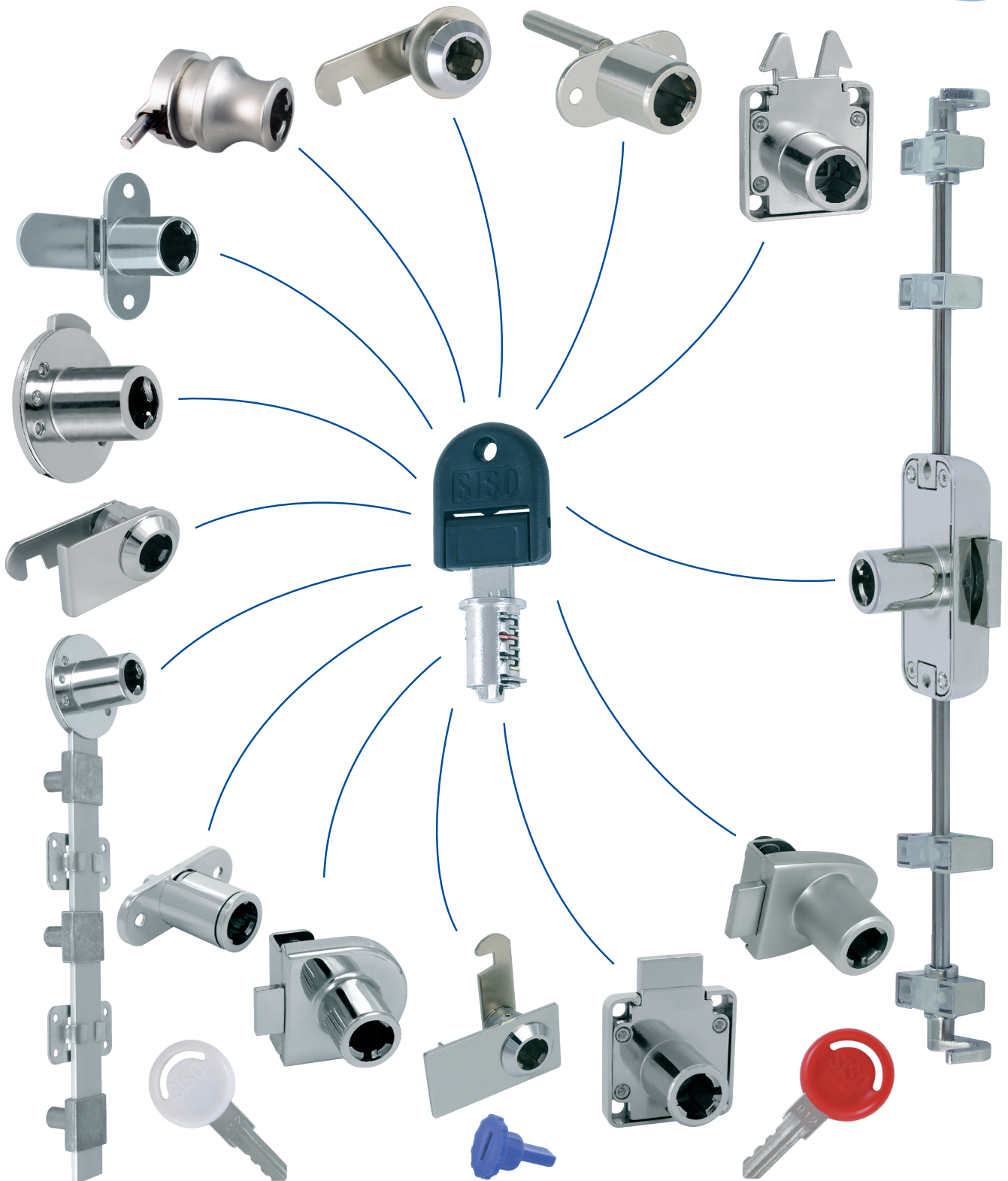
All MIC Locks are supplied with master key system as standard and cylinders are marked key combination number.

MIC locks are supplied with fixed cylinders or you can have empty lock bodies only and buy the cylinders separately, either as key alike or key to differ. If you buy lock bodies only, our locks are supplied a nylon plug inside the cylinder housing. The plugs have different colours:

| | |
|------------------|--------------|
| Drawer position: | blue colour |
| Right position: | black colour |
| Left position: | red colour |



The plug prevents the cylinder housing from being damaged and you just remove the plug and insert the cylinder in this lock position.



Installation of cylinder into an empty lock body

1. Make sure that the arrow on the plastic plug points towards the lock tongue. If not in the correct position take a flat screw driver and turn the plug to the right position.
2. Take out the plastic plug from the lock body.
3. Take off the transparent plastic tube from the cylinder.
4. Insert the loose cylinder into the empty lock body right to the end.
5. Turn the key 90° & draw the key.
6. The cylinder has successfully been installed.

Application:

Drawers, wardrobes and cabinets

Accessories for one set:

- 1 lock
- 1 rosette
- 2 SISO car keys

Specification:

Zamak lock body & cylinder
 Steel rosette & keys
 Cylinder diam. 19 or 16,5 mm
 Cylinder lengths:
 18, 22, 26, 32 & 38 mm
 400 key combinations or key alike
 Drawer, left or right hand versions
 Master key & Interchangeable
 system available on request

Finish:

- Nickel plated
- Black anodized
- Bronze plated
- Aluminium finish
- Brass plated

Item No.:

14.00.000 etc.

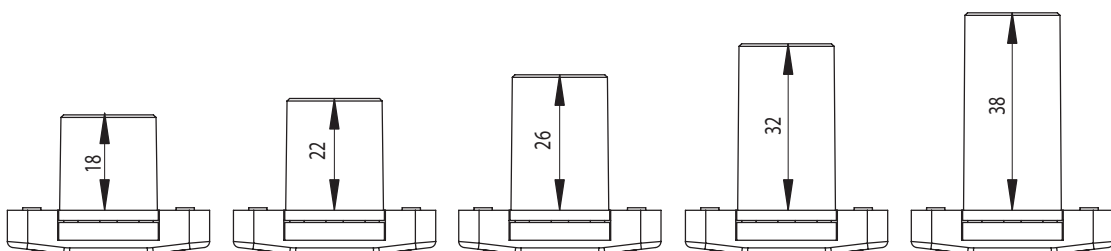
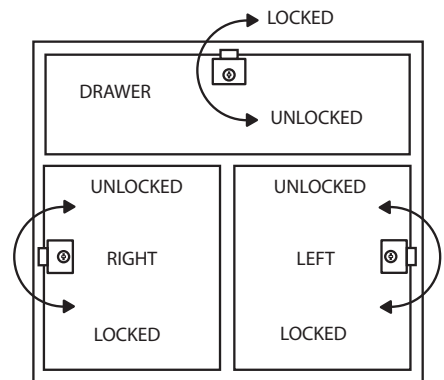
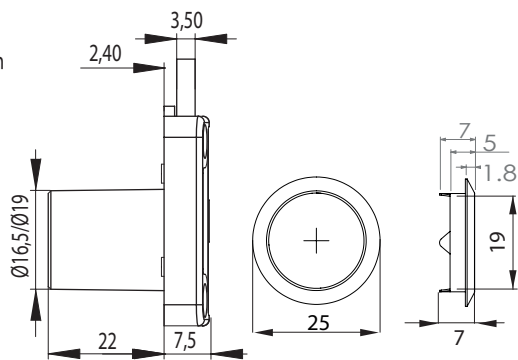
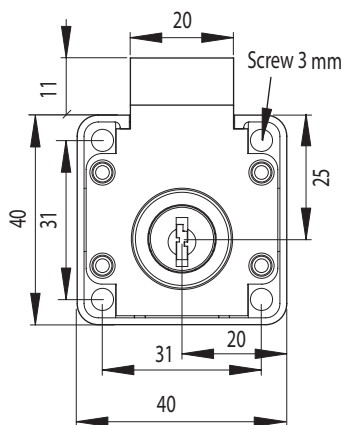
**400 KD
CAR KEYS**



RIGHT HAND

DRAWER

LEFT HAND



RIM LOCK NO. 850 W/TRANS. FLIP KEY



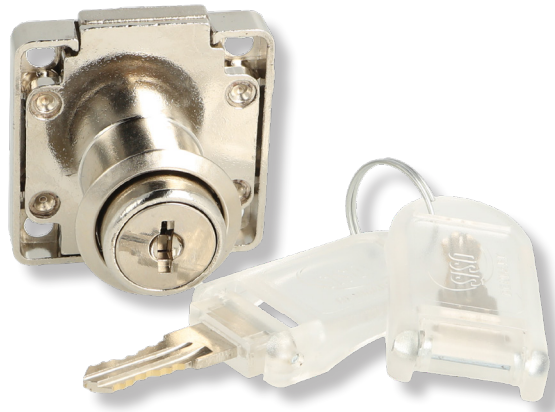
Application:
For drawers, wardrobes & cabinets

Accessories for one set:
1 lock
1 rosette
2 SISO transparent flip keys

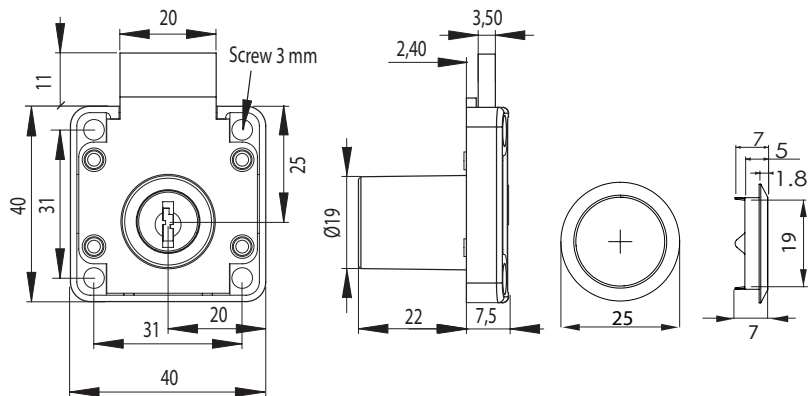
Specifications:
Zamak lock body & cylinder, NPL
Steel rosette & keys
Cylinder size: $\varnothing 19 \times 22$ mm
400 key combinations
Drawer, left or right hand versions
W/Master key & interchangeable system #J11 (MIC) on request.

Finish:
Nickel Plated (NPL)
Other finishes on request

Item No.:
Drawer, key to differ # 14.01.051-0
Drawer, key alike D20 # 14.01.065-3
Right hand # 14.01.057-3



**400 KD
FLIP KEYS**



RIM LOCK NO. 850 "MIC" W/HINGED CAR KEYS

Application:
For drawers, wardrobes & cabinets

Accessories for one set:
1 lock
1 rosette
2 SISO hinged car keys

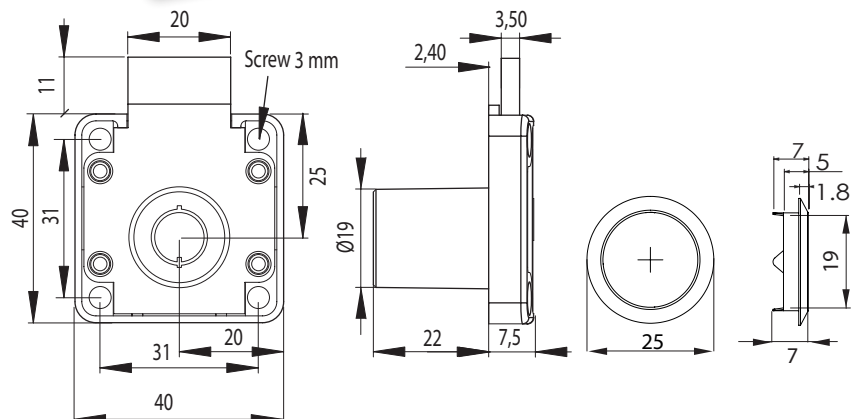
Specifications:
Zamak lock body & cylinder, NPL
Steel rosette & keys
Cylinder size: $\varnothing 19 \times 22$ mm
400 key combinations
Drawer, left or right hand versions
W/Master key & interchangeable system #J11 (MIC)

Finish:
Nickel Plated (NPL)
Other finishes on request

Item No.:
Drawer # 14.01.020-0
Right hand # 14.01.026-5
Left hand # 14.01.027-5



**400 KD
HINGED KEYS**



RIM LOCK NO. 850 SNAKE KEY

Application:

Drawers, wardrobes and cabinets

Accessories for one set:

- 1 lock
- 1 rosette
- 2 SISO snake car keys

Specification:

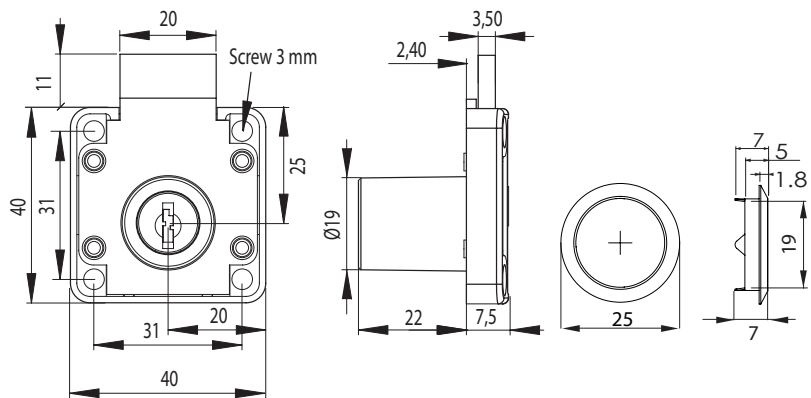
Zamak lock body & cylinder, NPL
 Steel rosette & brass keys
 Cylinder size $\varnothing 19 \times 22$ mm
 1000 key combinations or key alike
 W/master key & interchangeable
 system (MIC)
 Drawer, left or right hand versions

Finish:

Nickel plated
 Other finishes on request

Item No.:

- Drawer (no MIC) # 14.00.200
- Drawer w/master key system # 14.00.210
- Drawer w/MIC system # 14.00.220
- Right hand w/MIC system # 14.00.221
- Left hand w/MIC system # 14.00.222
- Master key (blue) # 14.04.137
- Interchangeable key (red) # 14.04.138



RIM LOCK NO. 850 W/TUBULAR KEYS

Application:

For drawers, wardrobes
 & cabinets

Accessories for one set:

- 1 lock w/cylinder $\varnothing 19 \times 22$ mm
- 1 rosette
- 2 SISO tubular car keys

Specifications:

Lock body & cylinder made of zamak
 Innercore made of brass material
 Rosette & keys made of steel
 Drawer. Left & right available on request

2000 key combinations

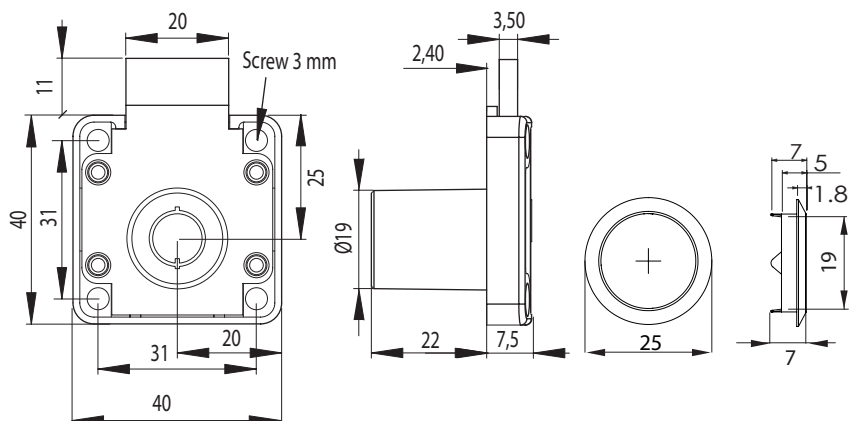
Item No.:

- Nickel plated # 14.00.100

Also available with key retention
 (no key pull out when open)

Item No.:

- Nickel plated #14.00.101



RIM LOCK NO. 950 - 35 MM BACKSET



Application:

Drawers, wardrobes and cabinets etc. where you want to drill hole further from the edge

Accessories for one set:

- 1 lock
- 1 rosette
- 2 SISO car keys

Specification:

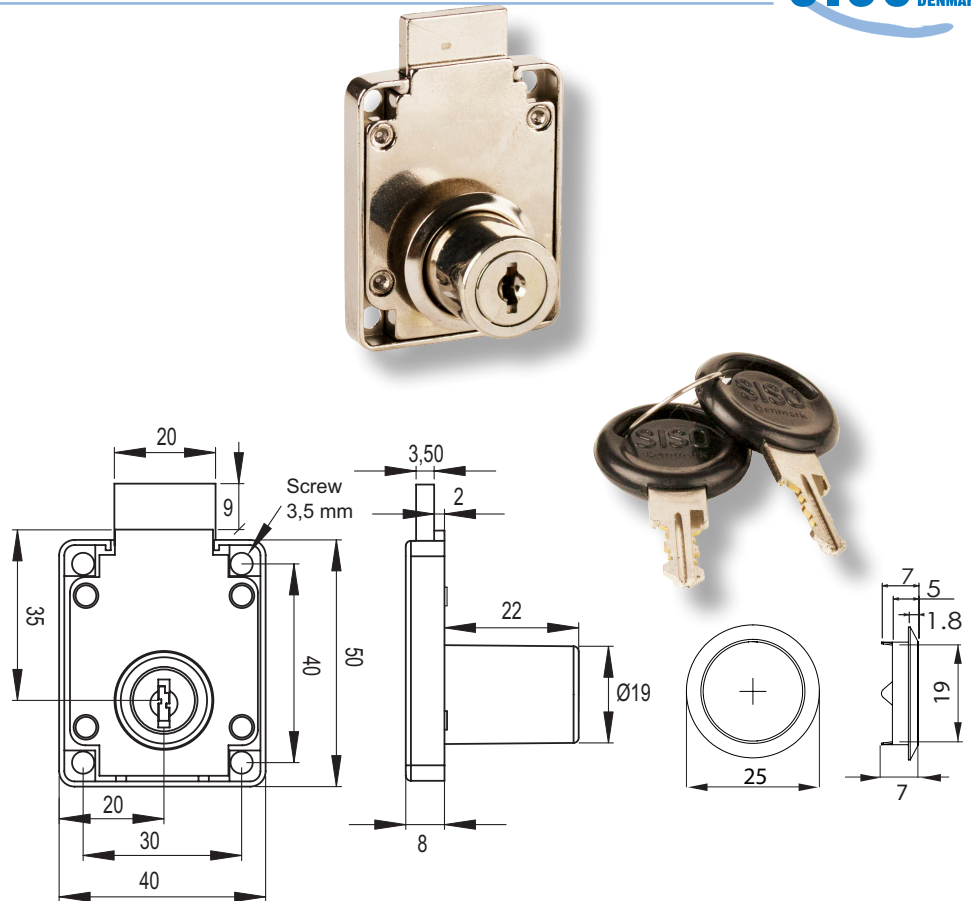
Zamak lock body & cylinder
Steel rosette & keys
400 key combinations
Drawer version. Left & right hand versions available on request
Master key & Interchangeable system available on request

Finish:

Nickel plated
Other finishes upon request

Item No.:

- Right # 14.01.096
- Left # 14.01.095
- Drawer # 14.01.097



LOCK W/ADJUSTABLE BACKSET MODEL "SERBIA"

Application:

Drawers, wardrobes and cabinets etc.

Accessories one set:

- 1 lock
- 1 rosette
- 2 SISO metal keys

Specification:

Zamak lock body & cylinder
Steel rosette & keys
60 key combinations
Drawer version. Left & right hand versions available on request

Finish:

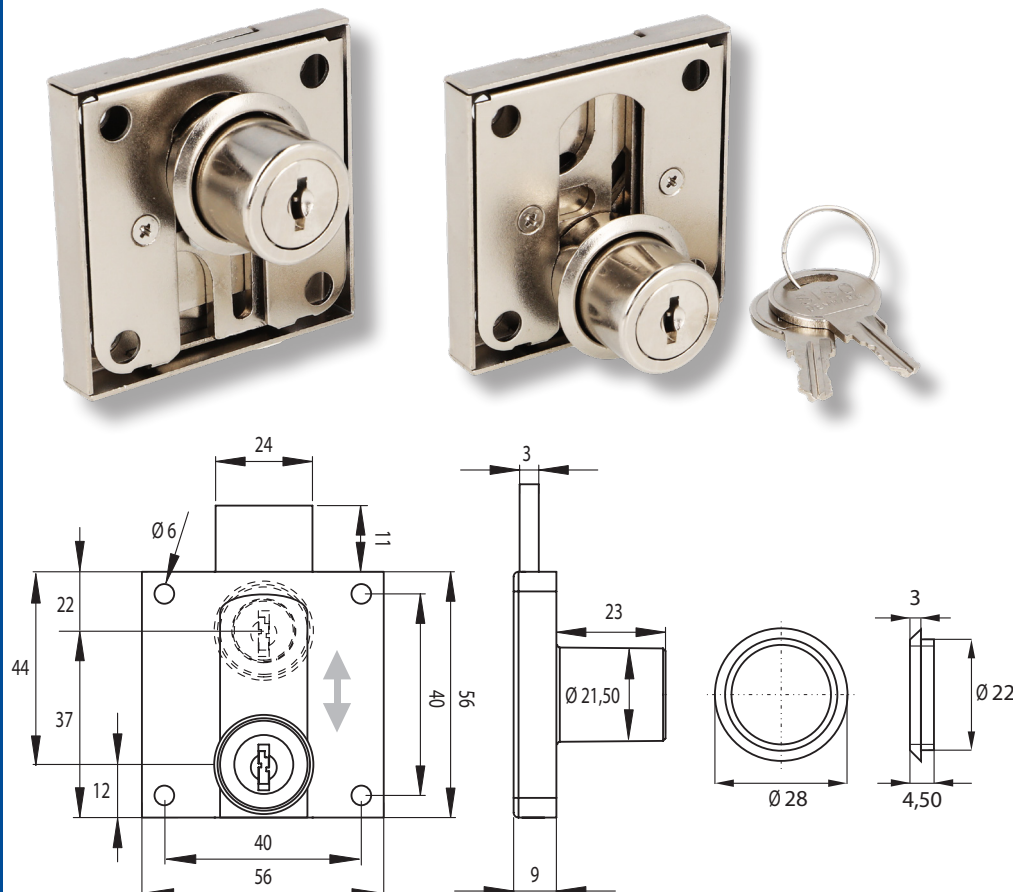
Nickel plated
Other finishes upon request

NB!

You can drill a hole for cylinder any place between 22 and 44 mm from cabinet edge

Item No.:

14.01.015



Application:

Drawers, wardrobes and cabinets

Accessories for one set:

- 1 lock
- 1 rosette
- 2 SISO car keys

Adjustable backset:

15, 20, 25, 30, 35, 40 mm
To adj. backset, remove the cylinder from the housing screwdriver and mount it in the required backset position

Specification:

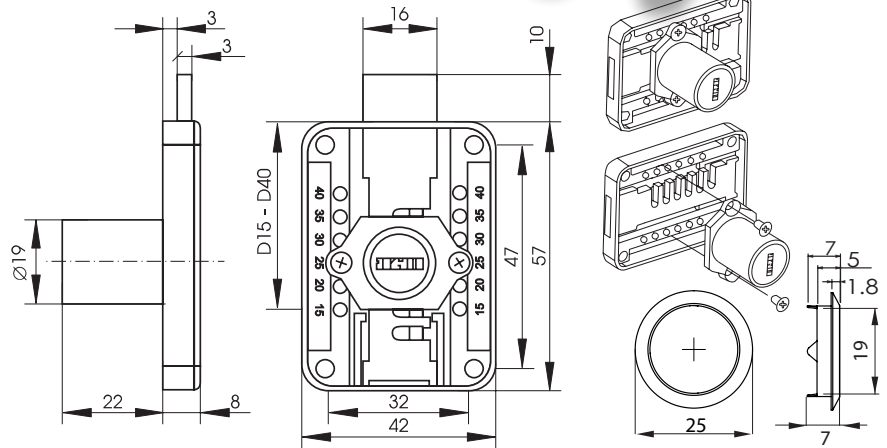
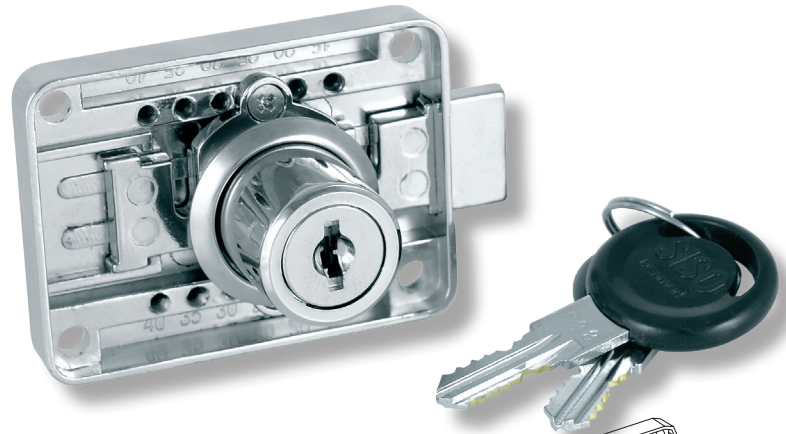
Zamak lock body & cylinder
Steel rosette & keys
400 key combinations
Left & right hand versions. Drawer version available on request
Master key & Interchangeable system available on request

Finish:

Nickel plated
Other finishes upon request

Item No.:

- Right hand # 14.01.013
- Left hand # 14.01.012



RIM LOCK NO. 850-N - Millennium

Application:

Drawers, wardrobes and cabinets

Accessories for one set:

- 1 lock
- 1 rosette
- 3 mounting screws
- 2 SISO round metal keys

Specification:

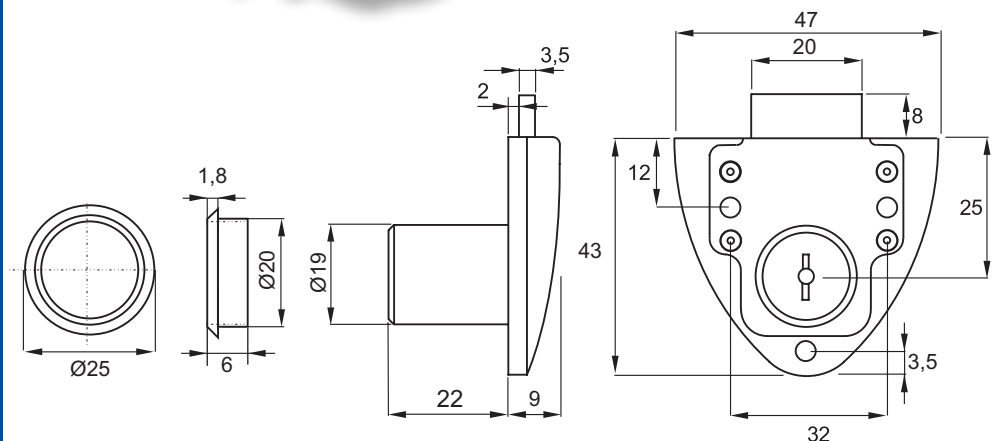
Zamak lock body & cylinder
Steel rosette, screws & keys
Cylinder dia. 19 or 16,5 mm
400 key combinations
Drawer version. Left & right hand versions available on request
Master key & Interchangeable system available on request

Finish:

Nickel plated
Aluminium finish
Black anodized
Black nickel
Gold plated

Item No.:

14.01.050 etc.



RIM LOCK NO. 852, SLIM CASE



Application:

Drawers, wardrobes and cabinets

Accessories for one set:

- 1 lock
- 1 rosette
- 2 SISO car keys

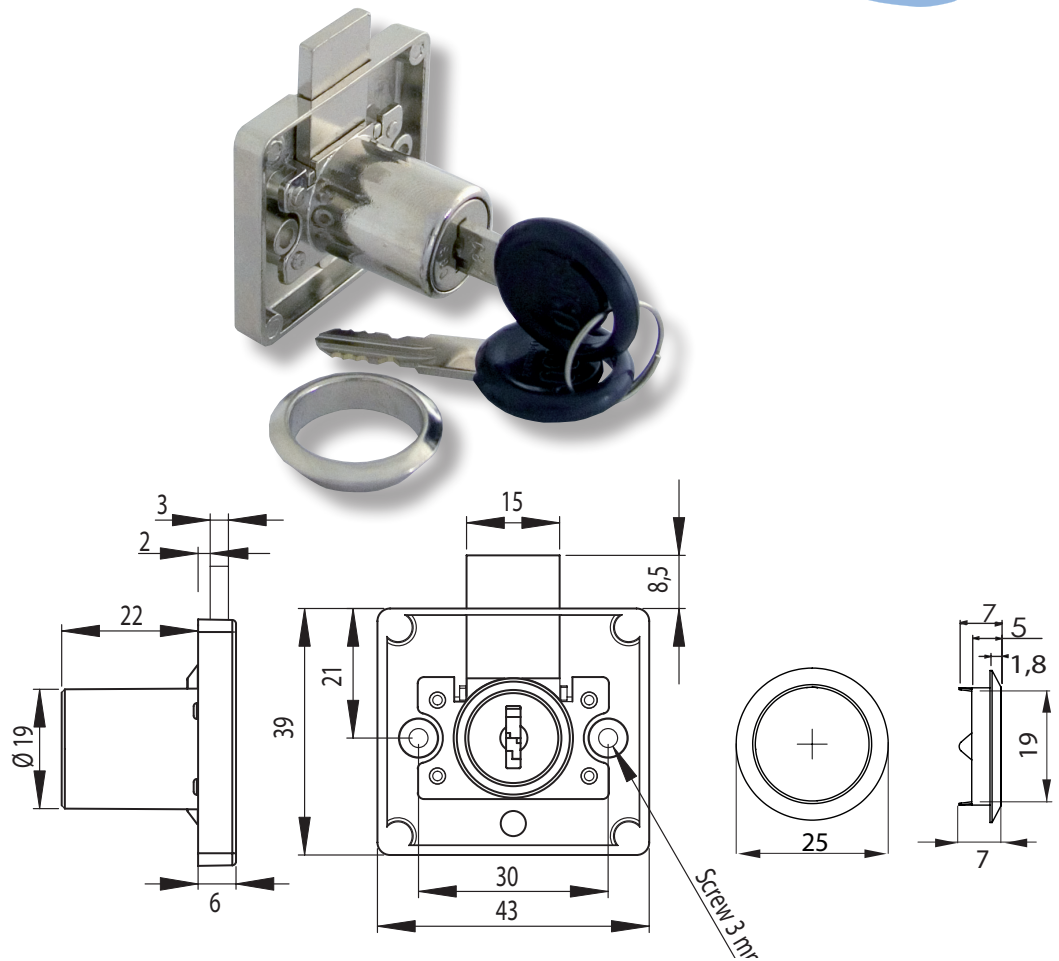
Specification:

Zamak lock body & cylinder
 Steel rosette & keys
 Cylinder diam. 19
 Cylinder lengths: 22 mm
 400 key combinations
 Drawer version. Left & right hand version available on request
 Master Key system available on request

Finish:

- Nickel plated
- Black anodized
- Other finishes upon request

Item No.: # 14.01.100 etc.



RIM LOCK NO. 850, LONG LATCH

Application:

Drawers, wardrobe, cabinets where big gab is expected or locking double door middle wall in between

Accessories for one set:

- 1 lock
- 1 rosette
- 2 SISO car keys

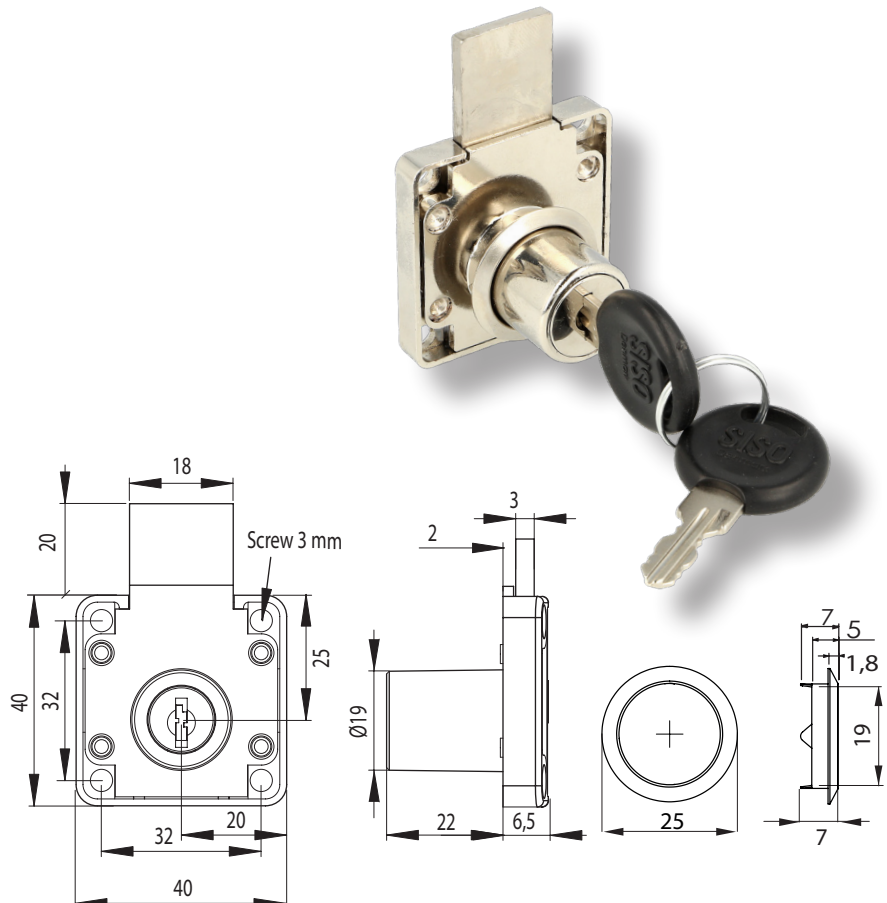
Specification:

Zamak lock body & cylinder
 Steel rosette & keys
 Cylinder length 22 mm
 400 key combinations
 Drawer version. Left & right hand version available on request
 Master Key system available on request

Finish:

- Nickel plated
- Other finishes upon request

Item No.: # 14.01.089



RIM LOCK NO. 853N "MILLENNIUM"

Application:

Drawers, wardrobes and cabinets

Accessories for one set:

- 1 lock
- 1 rosette
- 4 screws
- 2 SISO car keys

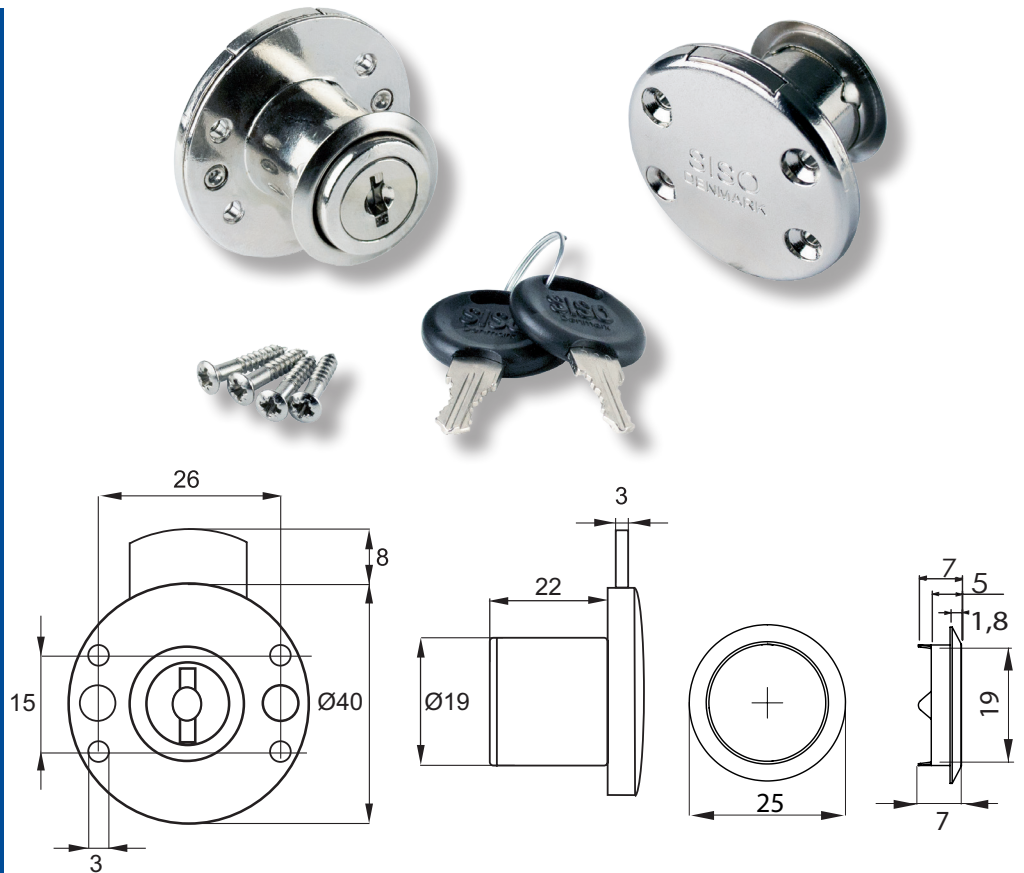
Specification:

Zamak lock body & cylinder
Steel rosette & keys
400 key combinations or key alike
Drawer version. Left & right hand
version available on request
Master key & Interchangeable
system available on request

Finish:

Nickel plated
Other finishes upon request

Item No.: # 14.01.269 etc.



RIM LOCK NO. 850 GREY SISO DK name plate

Application:

Drawers, wardrobes and cabinets

Accessories for one set:

- 1 lock w/cylinder \varnothing 19 x 22 mm
- 1 rosette
- 2 SISO car keys

Specifications:

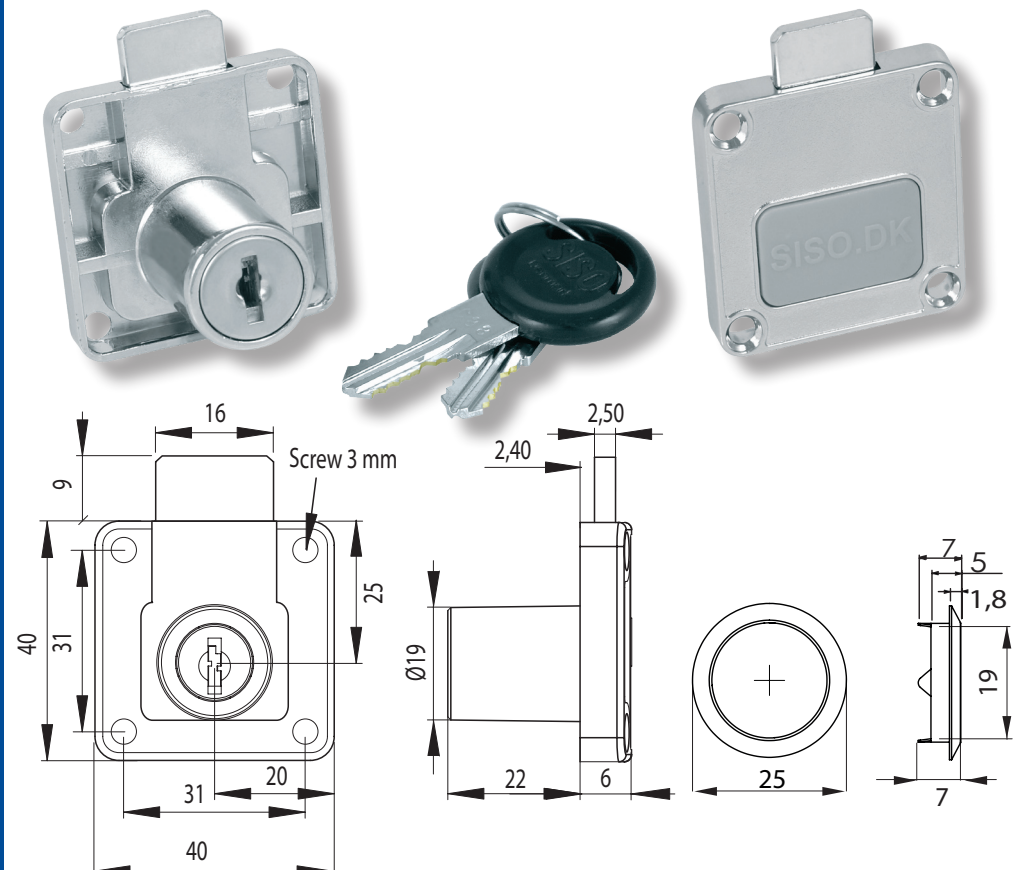
Zamak lock body & cylinder
Steel rosette & keys
SISO DK name plate grey plastic.
400 key combinations
Drawer. Left & right available on
request

Master key system available
Interchangeable system
NOT possible

Item No.:

Nickel plated # 14.01.054

Other finishes upon request



RIM LOCK "CPH"

Application:

For drawers, wardrobes & cabinets

Accessories for one set:

- 1 lock
- 1 rosette
- 2 "CPH" hinged car keys

Specifications:

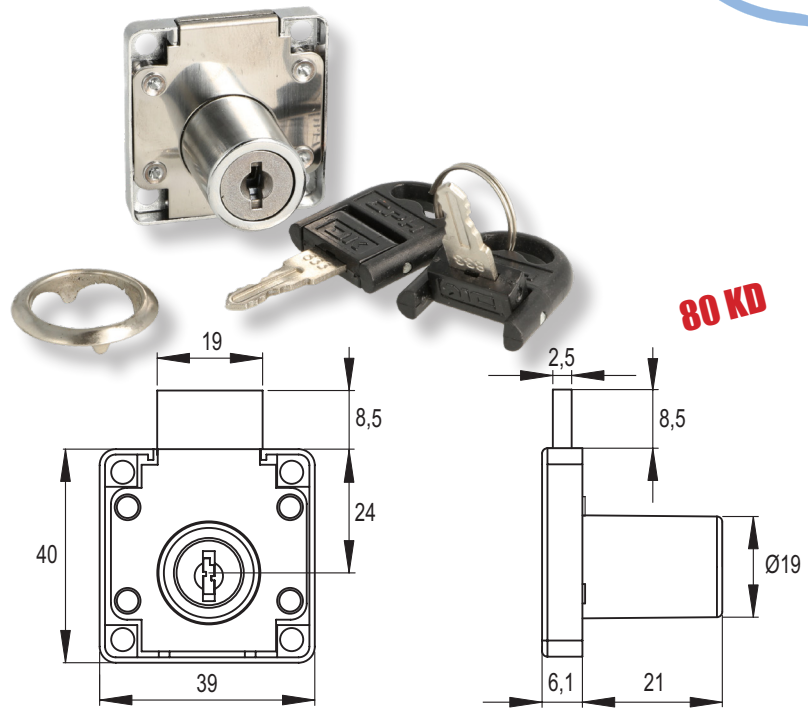
Zamak lock body & cylinder
 Steel rosette & keys
 Cylinder size: $\varnothing 19 \times 21$ mm
 80 key combinations or key alike
 Only available as drawer version

Finish:

Nickel plated

Item No.:

- Key to differ: # 14.01.056-0
- Key alike: # 14.01.056-5



RIM LOCK NO. 850 W/TURNING KNOB

Application:

For drawers, wardrobes & cabinets

Accessories for one set:

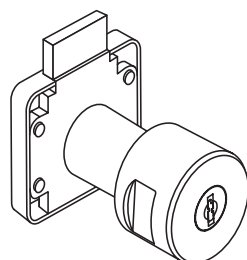
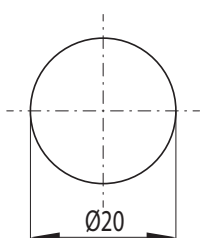
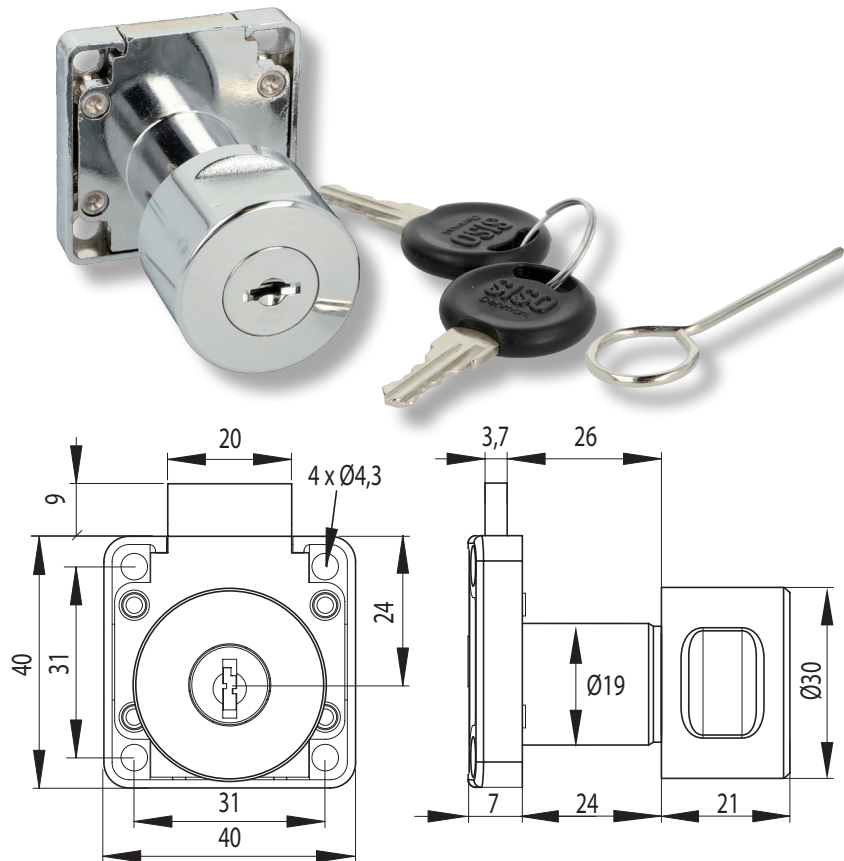
- 1 lock
- 1 knob + pin
- 2 SISO car keys

Specifications:

Zamak lock body, cylinder & knob
 Knob & lock body are supplied
 uninstalled
 Steel keys
 Cylinder size: $\varnothing 19 \times 22$ mm
 400 key combinations
 W/Master key & interchangeable
 system #J11 (MIC).

Item No.:

- Chrome Plated # 14.00.105
- Alu finish # 14.00.106



Knob mounting instruction

1. Make sure that the lock is in open position.
2. Install the lock body on the furniture.
3. Push the knob into the lock body & the lock is ready to be used.
4. To remove the knob you need to remove the cylinder.
 Use the red interchangeable key.
5. Then you use the steel pin supplied to push down an activator latch inside the cylinder.
6. Keep the latch down and pull the knob apart from the lock body.
7. New cylinder can only be installed in open position.

Application:

Perfect for double door cabinets and wardrobes

Accessories for one set:

- 1 lock w/cylinder $\varnothing 19 \times 22$ mm
- 1 rosette
- 2 L-shaped striking plates
- 2 SISO car keys

Specifications:

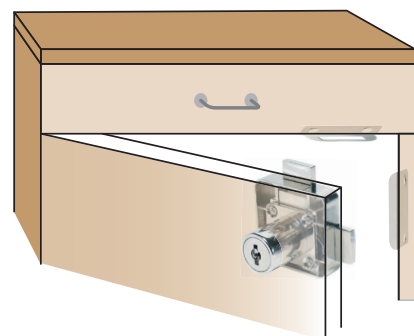
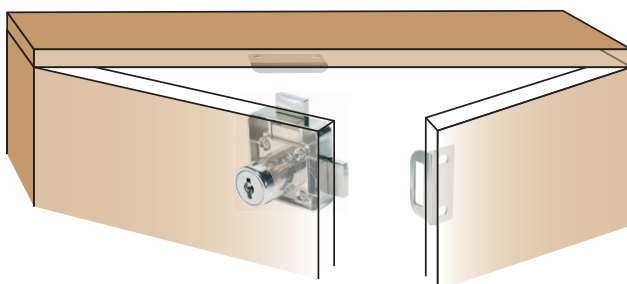
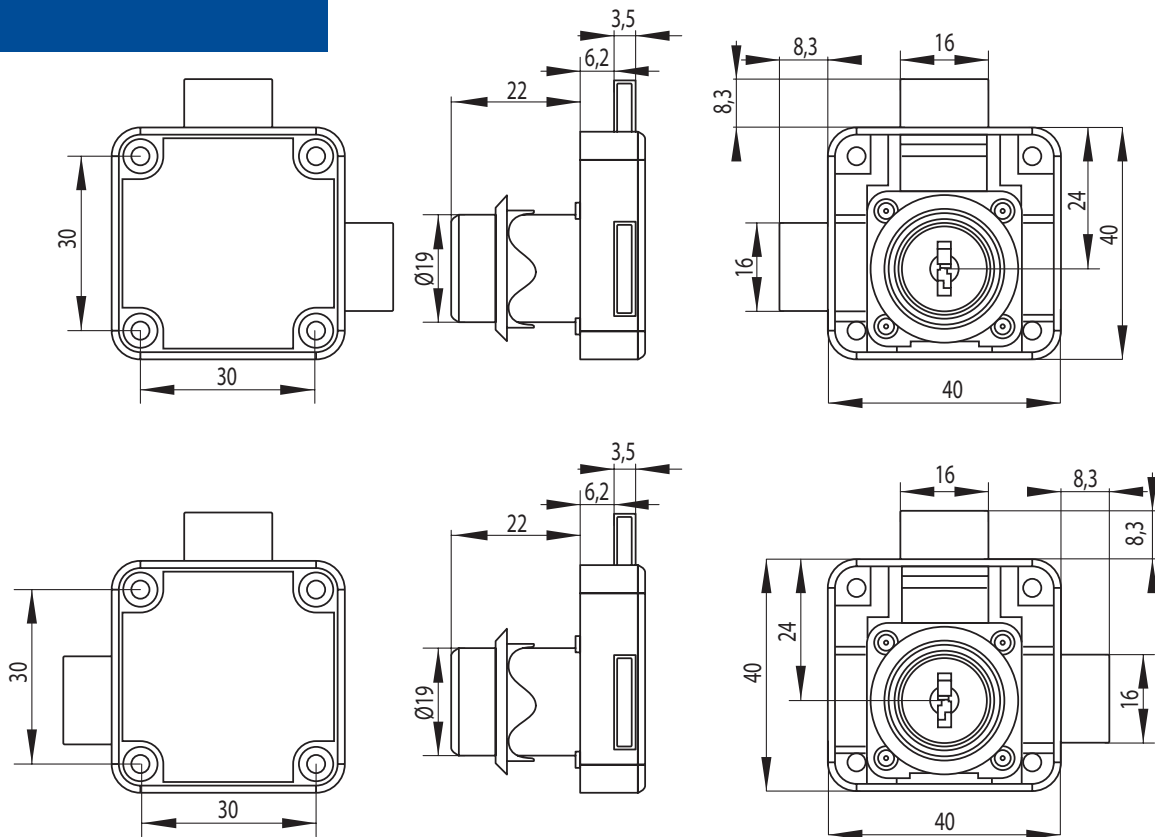
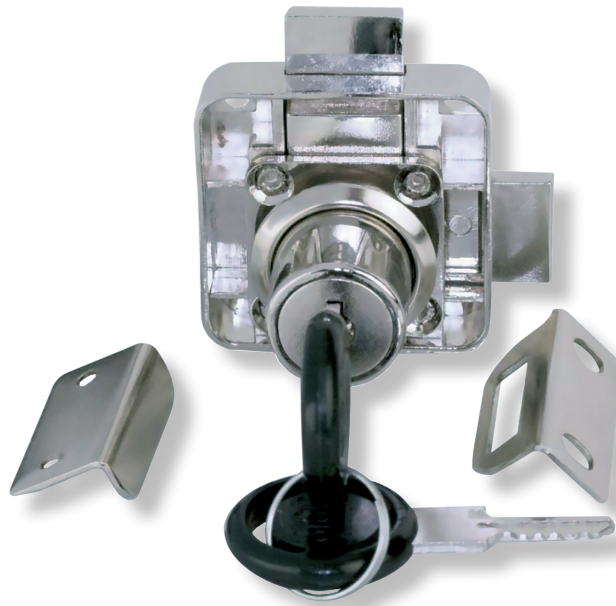
Lock body & cylinder made of zamak
 Rosette, striker & keys made of steel
 400 key combinations or key alike
 Right or left hand version

Finish:

Nickel plated
 Other finishes upon request

Item No.:

- Right # 14.01.250
- Left # 14.01.251



SLAM LOCK NO. 856



Application:

Hotel minibars, tills, drawers, wardrobes and cabinets

Accessories for one set:

- 1 lock
- 1 rosette
- 1 striking plate
- 2 SISO car keys

Function:

Spring loaded tongue allows doors and drawers to push lock automatically

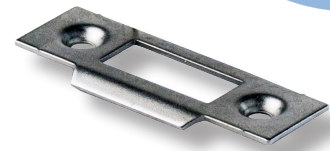
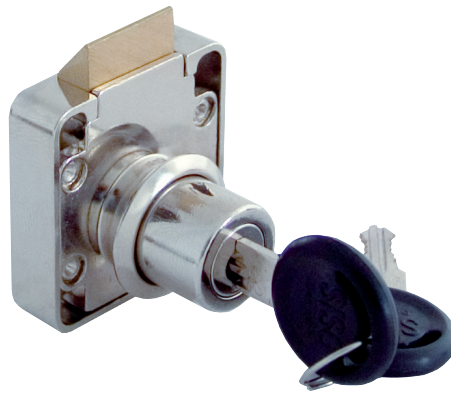
Specification:

Zamak lock body & cylinder
Steel rosette & keys
400 key combinations
Steel rosette, keys & striker
Drawer version. Left & right hand version available on request
Master Key system available on request

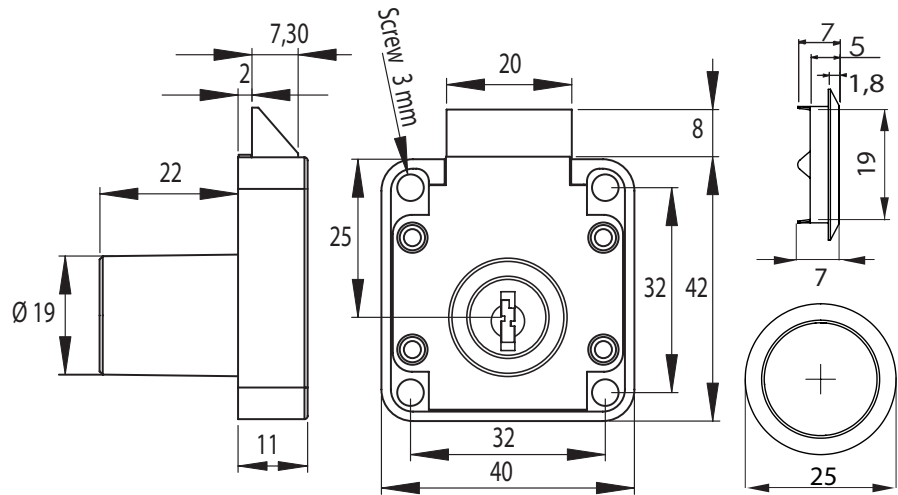
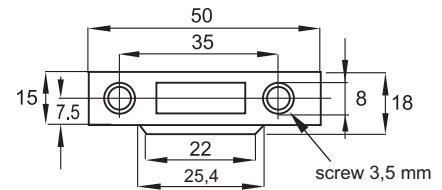
Finish:

Nickel plated

Item No.: # 14.01.481



STRIKER PLATE



SLAM LOCK NO. 856N "Millennium"

Application:

Hotel mini bars, tills, drawers, wardrobes and cabinets

Accessories for one set:

- 1 lock
- 1 rosette
- 1 striking plate
- 2 SISO car keys
- 3 mounting screws

Function:

Spring loaded tongue allows doors and drawers to push lock automatically

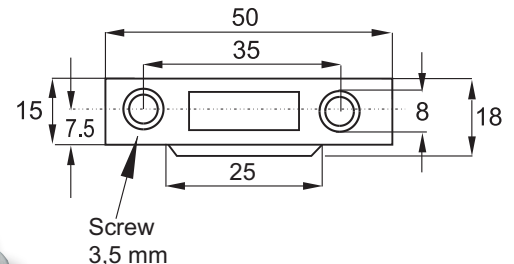
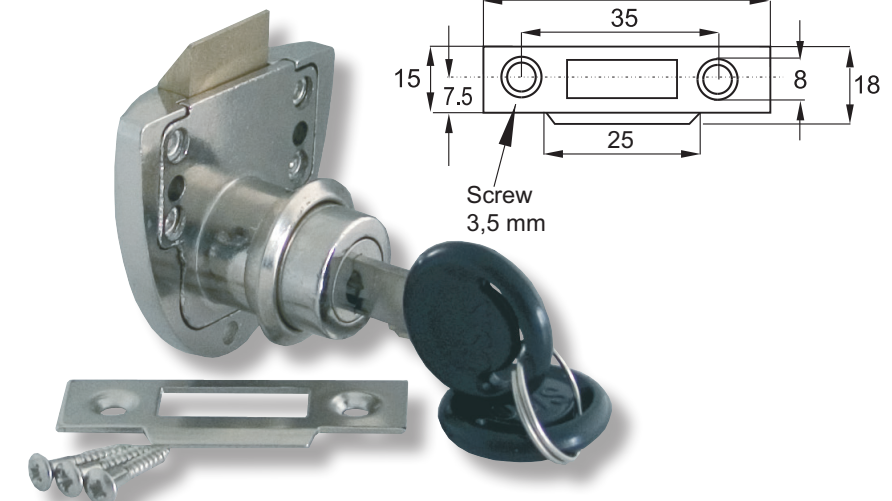
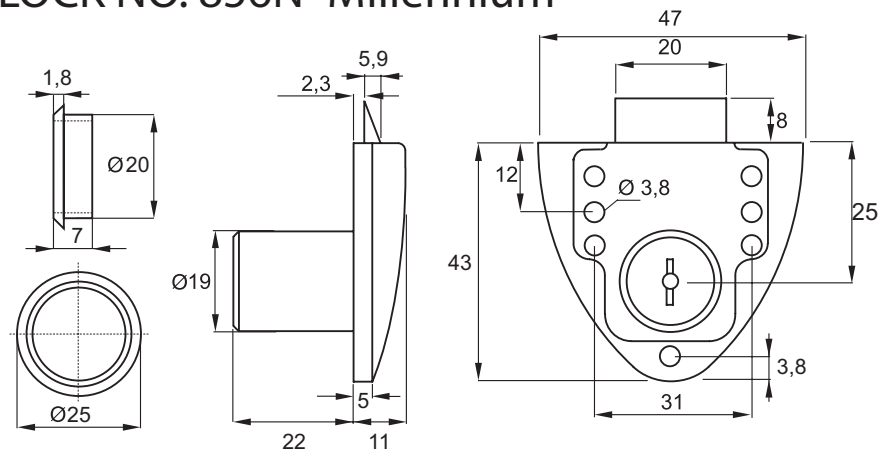
Specification:

Zamak lock body & cylinder
Steel rosette & keys
400 key combinations
Steel rosette, keys, striker & screws
Drawer version. Left & right hand version available on request
Master Key system available on request

Finish:

Nickel plated

Item No.: # 14.01.482



Application:

Hotel mini bars, tills, drawers, wardrobes and cabinets

Accessories for one set:

- 1 lock
- 1 rosette
- 2 neutral car keys

Function:

Spring loaded tongue allows doors and drawers to push lock automatically

Specification:

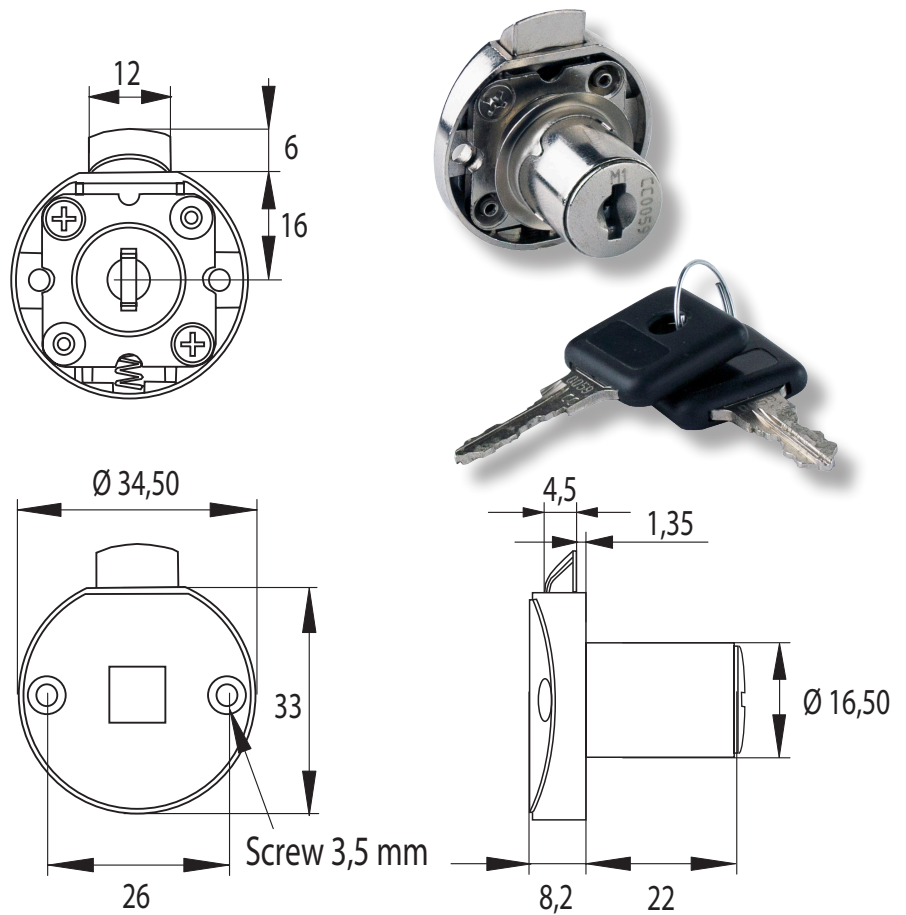
Zamak lock body & cylinder
Steel rosette & keys
500 key combinations
Drawer version. Left & right hand version available on request
Master key & Interchangeable system available on request

Finish:

Nickel plated
Others upon request

Item No.:

- Lock # 14.01.495
- Master key # 14.04.122
- Interchangeable key # 14.01.132



ROLL BLIND LOCK NO. 2159

Application:

Roller shutter doors vertical or horizontal sliding doors

Accessories for one set:

- 1 lock
- 1 rosette
- 1 flat striking plate
- 2 SISO car keys

Function:

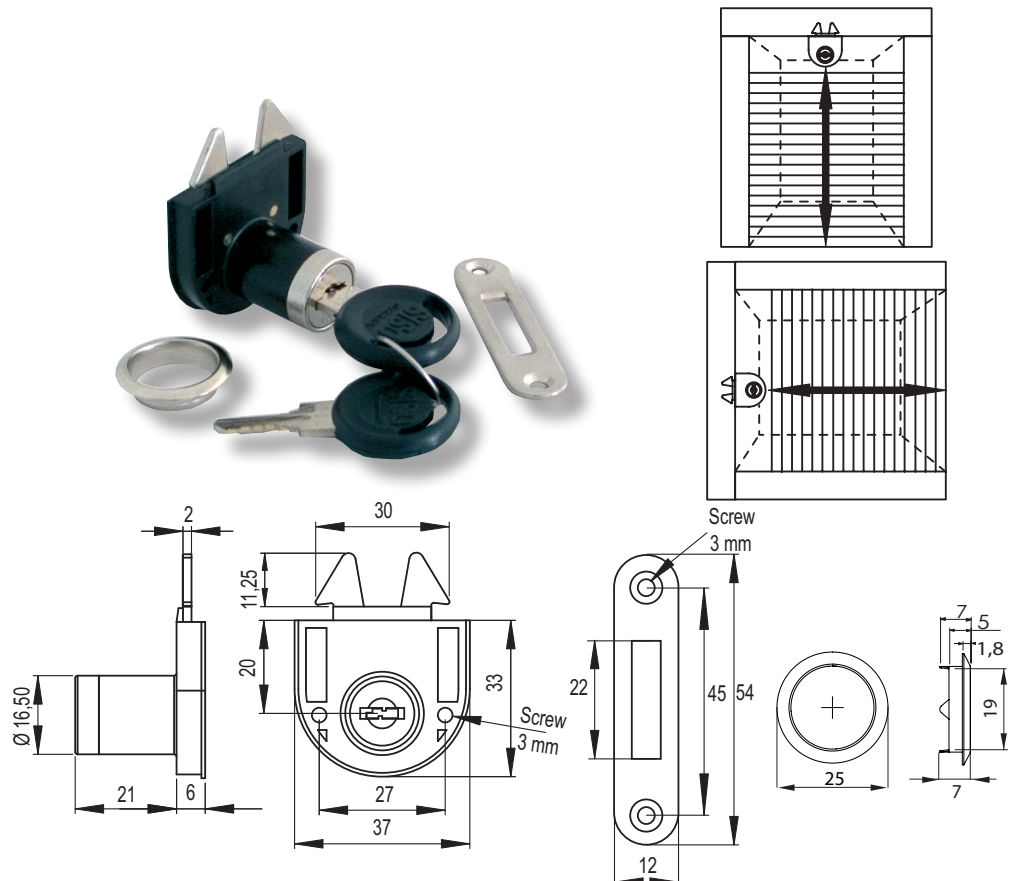
To open turn key 30°
Spring loaded hooks allow automatic push locking

Specification:

Lock body - black plastic
Zamak cylinder - nickel plated
Steel rosette,striker & keys
200 key combinations
Master Key system available on request

Item No.:

- Key to differ (KD) # 14.01.470
- KD w/master key # 14.01.471



Application:

Roller shutter doors vertical or horizontal sliding doors

Accessories for one set:

- 1 lock
- 1 Rosette
- 1 flat striking plate
- 2 SISO car keys

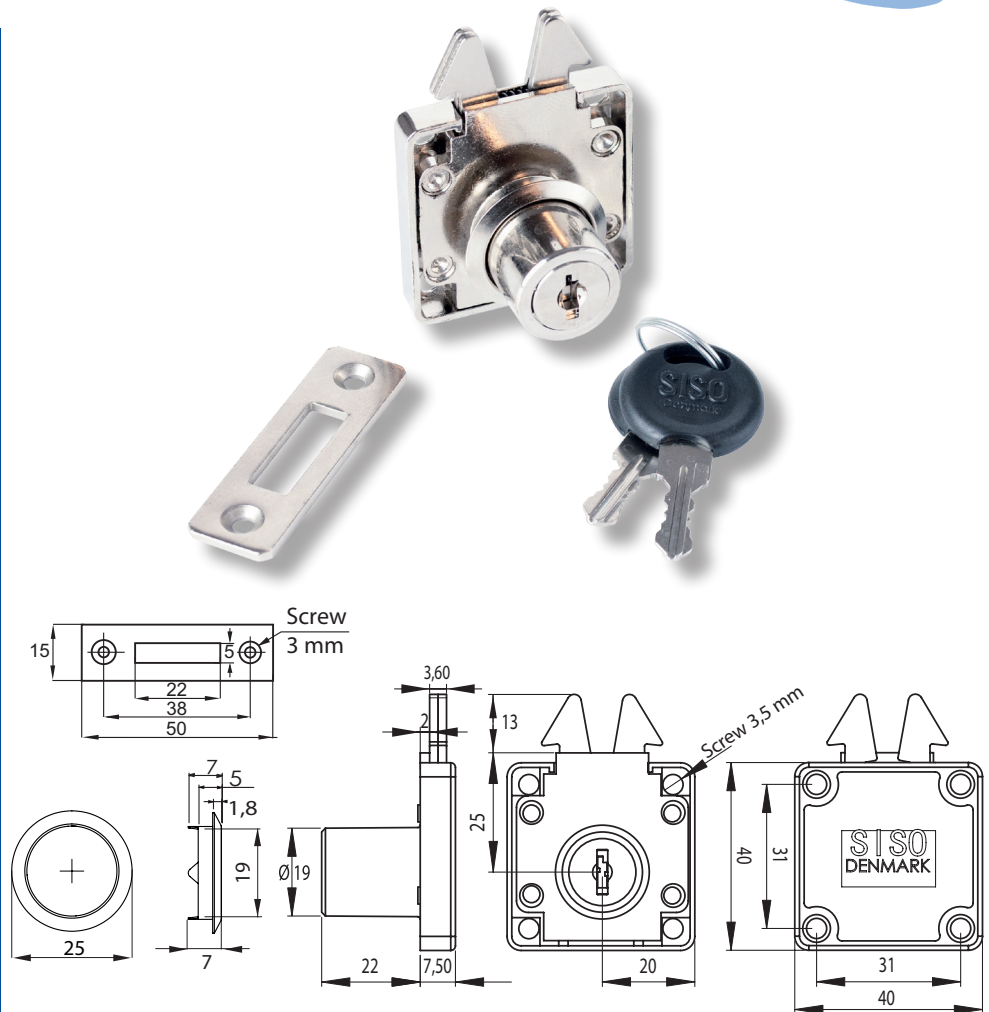
Function:

To open turn key 30°
Spring loaded hooks allow automatic push locking

Specifications:

Zamak body & cylinder
Steel rosette, striker & keys
Cylinder diameter: \varnothing 16,5 or \varnothing 19 mm
Cylinder length: 22 or 32 mm
400 key combinations or key alike
Master key & interchangeable system available on request

Item No.: # 14.01.410 ect.



RAISED STRIKING PLATE F/LOCK 855

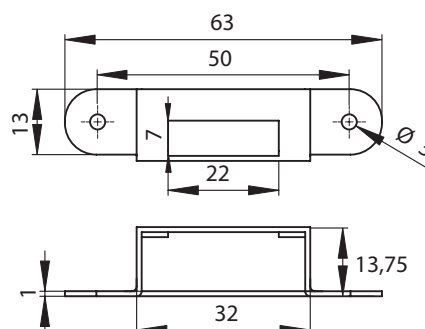
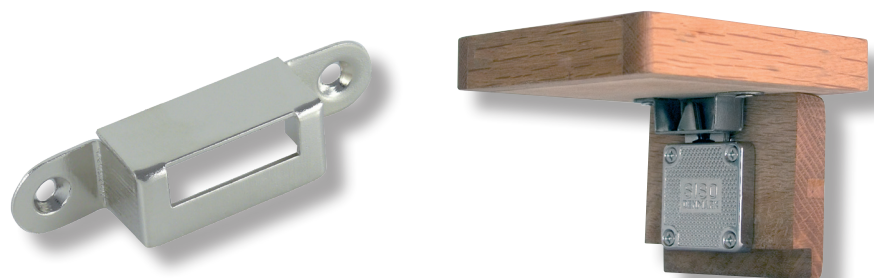
Application:

Raised striker for more security
No cutting in panel necessary
Easy installation

Material:

Steel - nickel plated

Item No.: # 14.01.500



ROLLER SHUTTER/SLIDING DOOR LOCK W/METAL STRIKER MODEL "VERTI"

Application:

Vertical roller shutter doors
& sliding doors

Accessories one set:

- 1 lock
- 1 steel nickel plated striking plate
- 1 rosette
- 2 neutral car keys

Function:

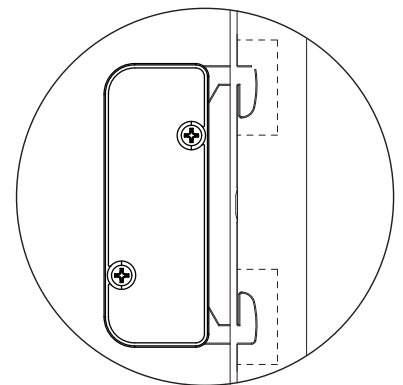
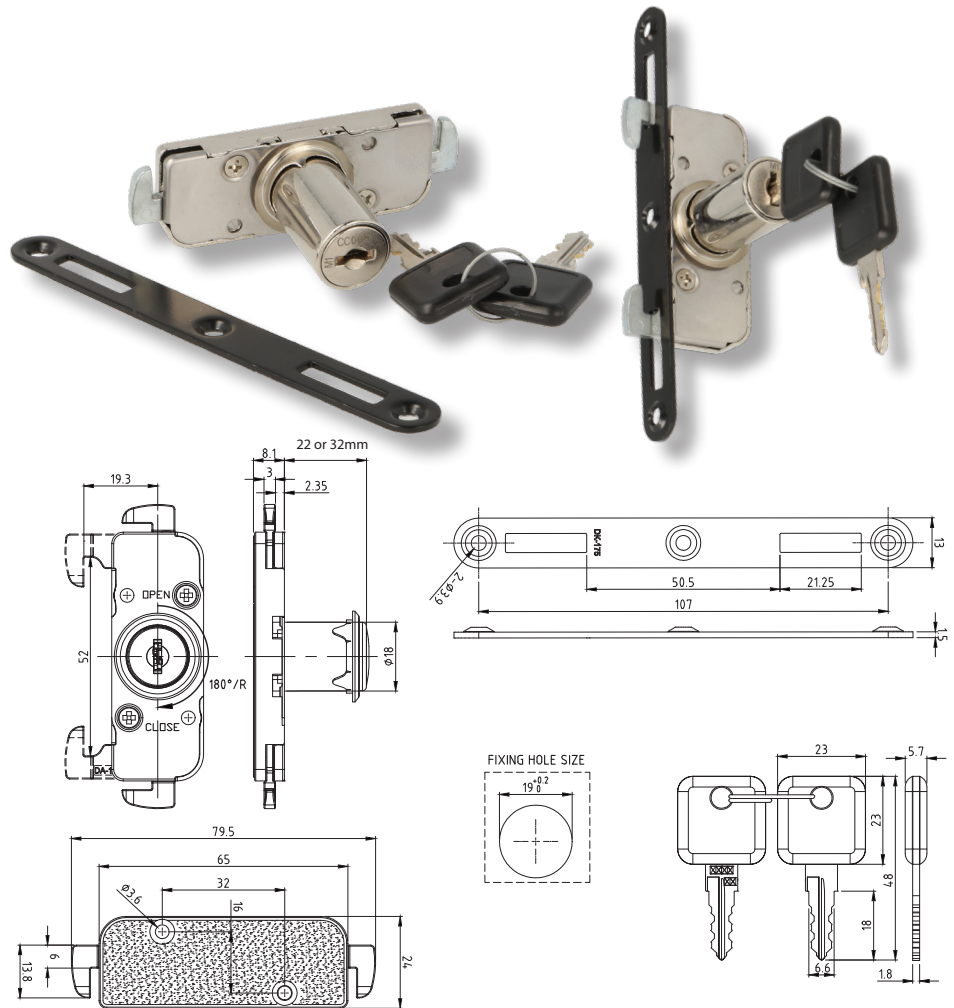
Turn key 180° and 2 hooks will move out from the lock body anchoring into the enclosed striker

Specification:

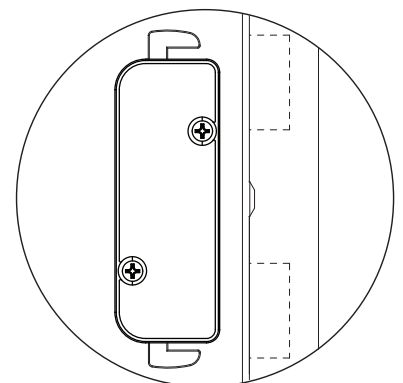
Lock body: Zamak, NPL
Zamak cylinder & hooks
Cylinder ø18 mm
Cylinder length 22 mm or 32 mm
400 key combinations with Master key & Interchangeable system

Item No.:

- Lock ø18 x 22 mm # 14.01.406
- Lock ø18 x 32 mm # 14.01.409
- Master key # 14.04.122
- Interchangeable key # 14.04.132



LOCKED



UNLOCKED

DOUBLE DOOR PLASTIC STRIKER F/ DOWN ROLLER SHUTTER DOOR LOCK "VERTI"

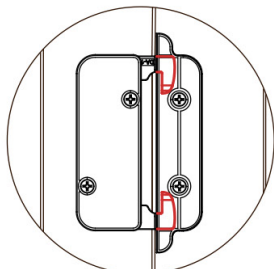
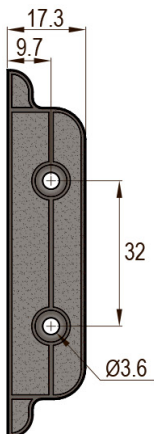
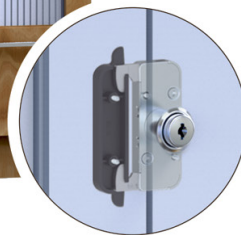
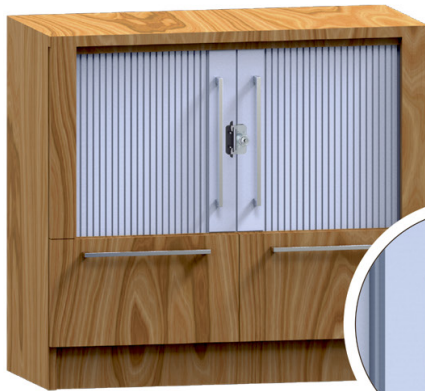
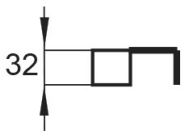


Application:
For double shutter/rolling doors

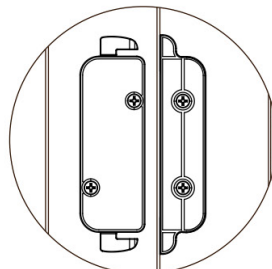
Specifications:
Plastic – black

Item No.: # 14.01.401

Lock to be ordered separately
(item 14.01.406+409)



LOCKED



UNLOCKED



Application:
Flap doors

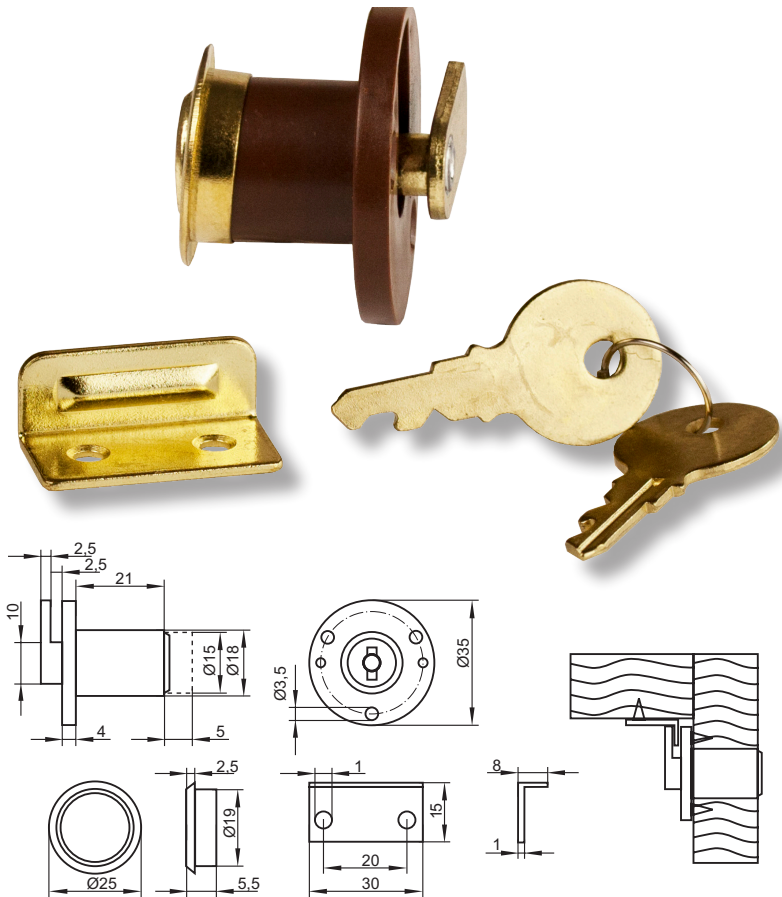
Accessories:
1 lock
1 rosette
1 striking plate
2 metal keys

Function:
To close: push cylinder and turn key
To open: turn key
Key removable in locked position only

Specification:
Plastic lock body
Steel cylinder, striker, cam, rosette & keys
Key alike only

Finish:
Brown Body - Brass plated cylinder

Item No.: # 14.07.120



FLAP LOCK NO. 9411, ALL METAL

Application:
Flap doors

Accessories:
1 lock
1 rosette
1 striking plate
2 SISO car keys

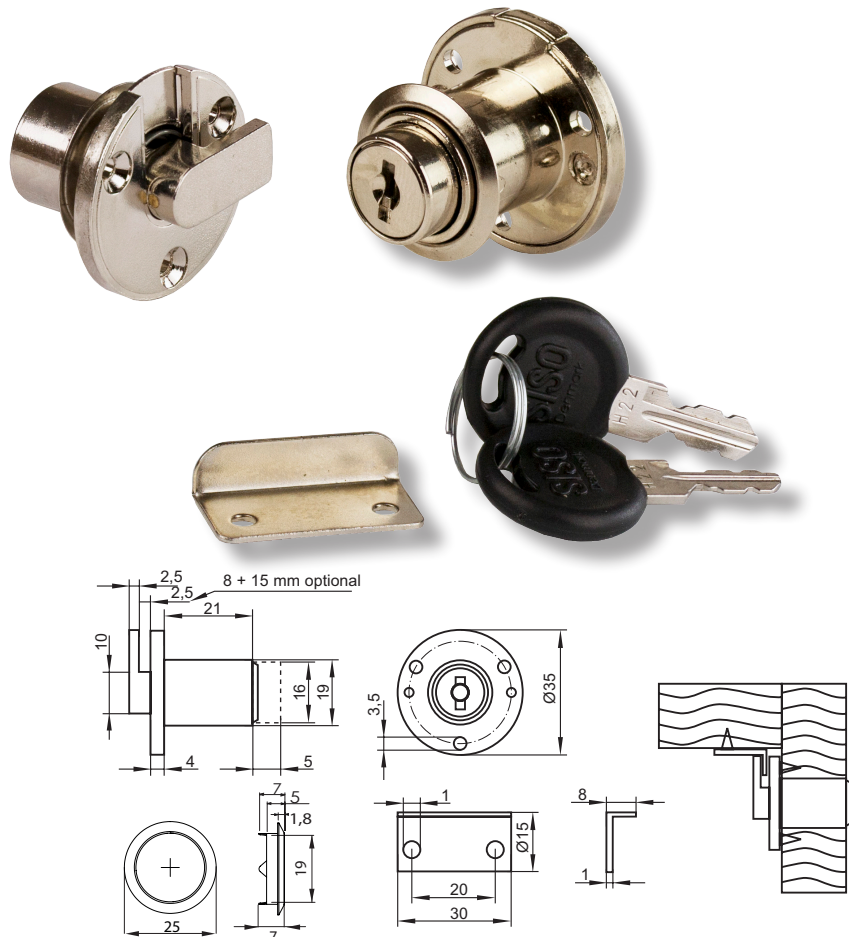
Function:
To close: push cylinder and turn key
To open: turn key

Key removable in locked and unlocked position

Specification:
Zamak lock body & cylinder
Steel rosette,striker & keys
400 key combinations
Master Key system available on request

Finish:
Nickel plated
Brass plated
Bronze plated

Item No.: # 14.07.105 etc.



CAM LOCK NO. 5250



Application:

Drawers, wardrobe, cabinets, universal for many diff. purposes ONE WING TYPE mainly applied for shutter doors

Accessories for one set:

- 1 lock
- 1 rosette
- 2 SISO car keys or metal keys

Option:

19 mm cylinder diam and many other different cam types available upon request
Other rotation angle

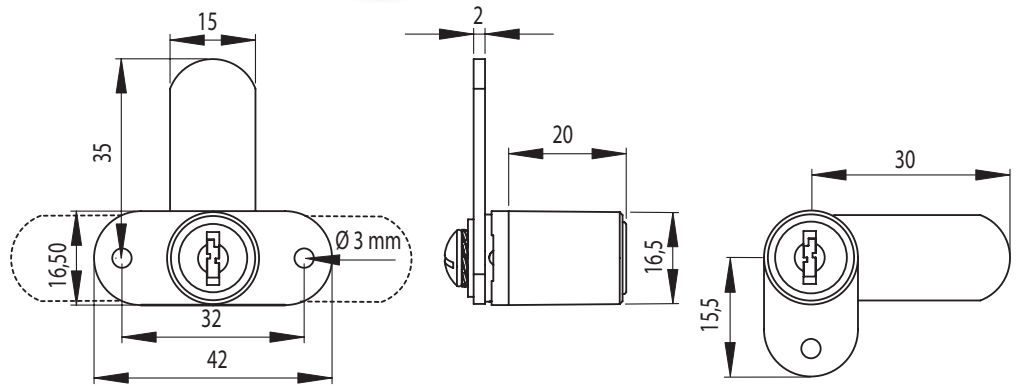
Specification:

Zamak lock body & cylinder
Steel rosette, cam & keys
400 key combinations
Master Key system available on request

Finish:

Nickel plated
Others upon request

Item No.: # 14.04.605 etc.



PUSH AND TURN LOCK NO. 919

Application:

Heavy duty sliding doors
Flap doors

Accessories for one set:

- 1 lock
- 1 rosette
- 1 striking plate
- 2 SISO car keys

Function:

To lock push cylinder and turn key to allow cam enter back door
Key removable in locked and unlocked position

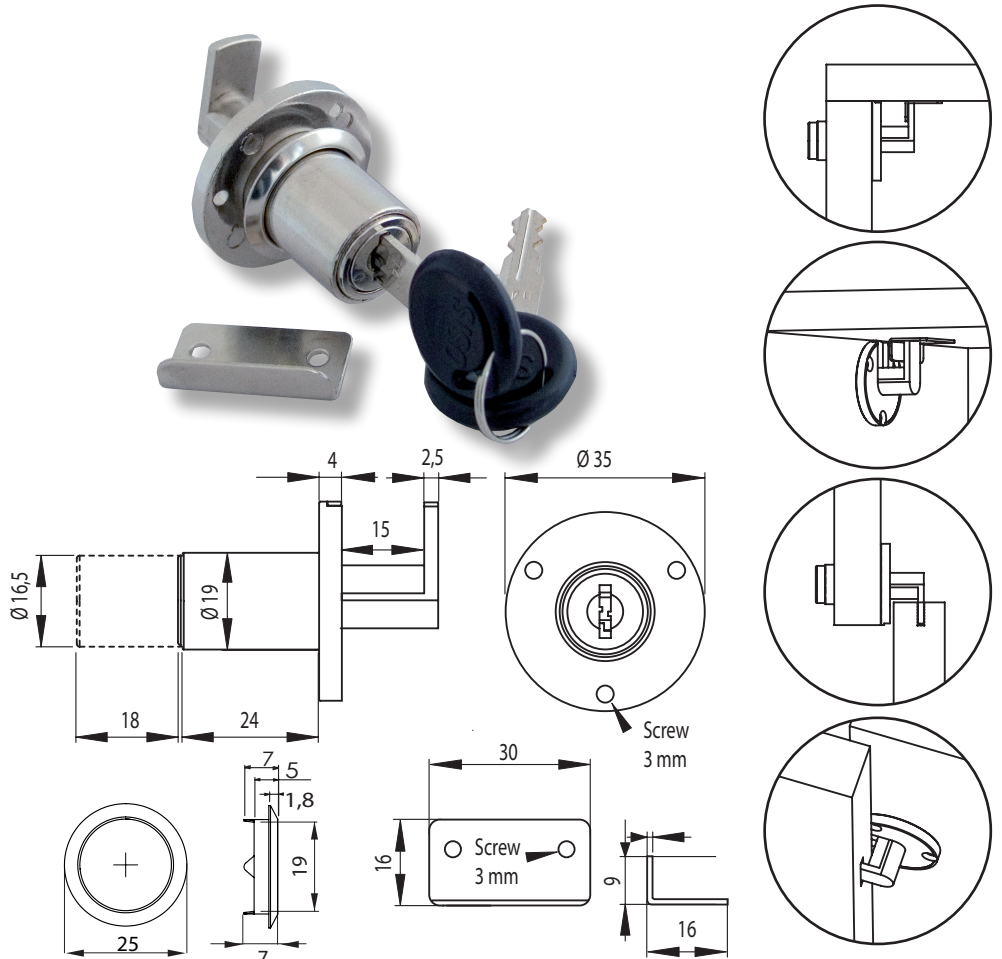
Specification:

Zamak lock body & cylinder
Steel rosette,striker & keys
Cylinder diam. 19 mm
Cylinder lenght 24 mm
400 different key combinations
Master Key system available on request

Finish:

Nickel plated
Other finishes upon request

Item No.: # 14.03.004 etc.



Accessories for one set:

- 1 lock
- 1 hex nut or 1 snap on clip
- 2 SISO metal keys
- 1 cam
- 1 transparent plastic washer

Specification:

Zamak lock body & cylinder
Steel hex nut, cam & keys
50 key combinations or key alike
90° turn

Option:

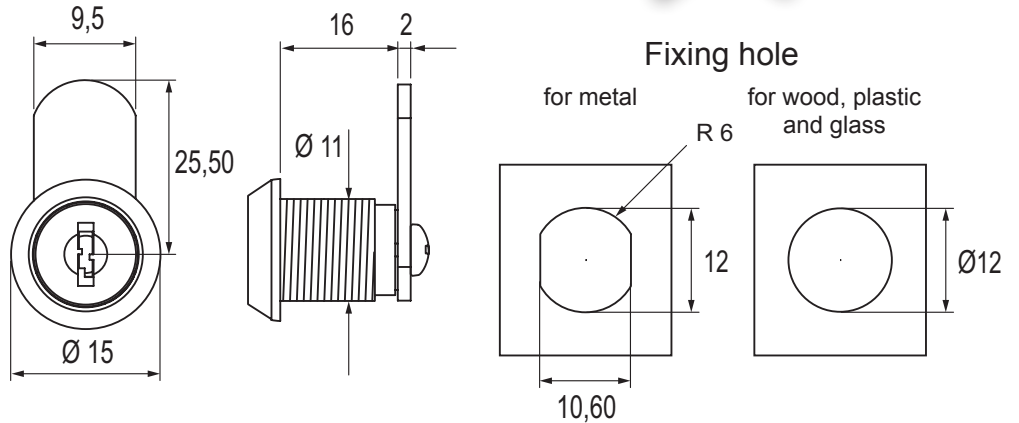
Other cam style/sizes
Other rotation angle

Finish:

Chrome plated
Others upon request

Item No.:

Key to differ # 14.04.426
Key alike # 14.04.425



CAM LOCK Ø17 X 9,5 MM

Accessories for one set:

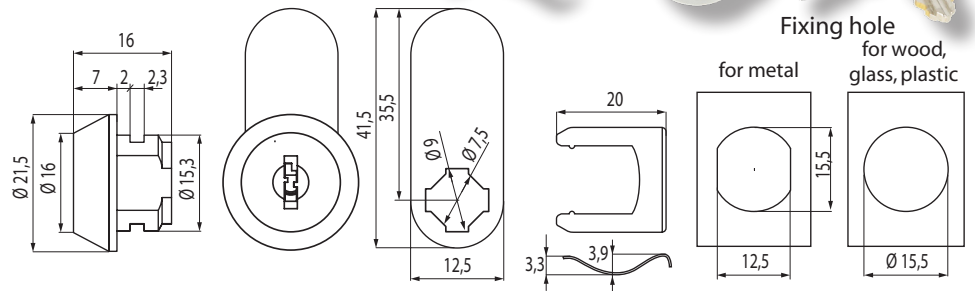
- 1 cylinder ø 17 x 9,5 mm
- 1 spring clip
- 1 cam plate ce.: 35,5 mm
- 2 SISO metal keys

Specifications:

Zamak lock body & cylinder
Steel spring clip, cam plate & keys
90° turn, Chrome plated

Item No.:

14.08.110



CAM LOCK NO. 1912

Accessories for one set:

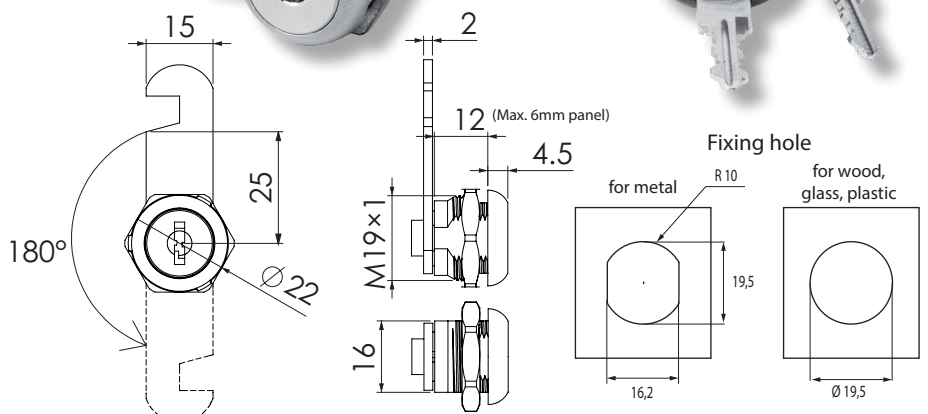
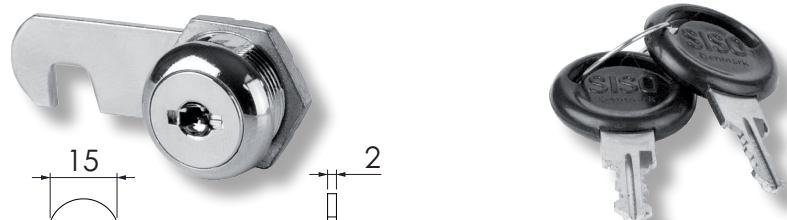
- 1 lock
- 1 hex nut
- 1 cam plate No. 7 spun on to lock body
- 2 SISO car keys

Specifications:

Zamak body, cap, cylinder & hex nut
Steel cam & keys
Cylinder size: ø19 x 12 mm
400 key combinations or key alike
180° turn
Panel thickness: Max. 6 mm

Item No.:

14.04.430 ect.



CAM LOCK W/DOME SS-304 CAP

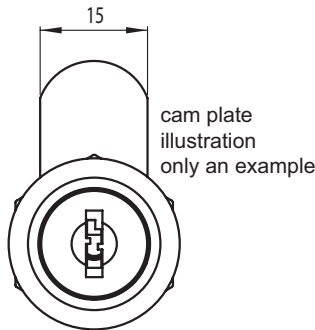
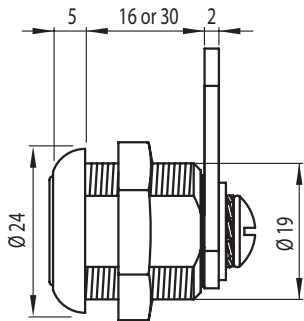
Accessories for one set:

- 1 lock
- 1 hex nut
- 1 cam plate
- 2 transparent washers
- 2 SISO car keys

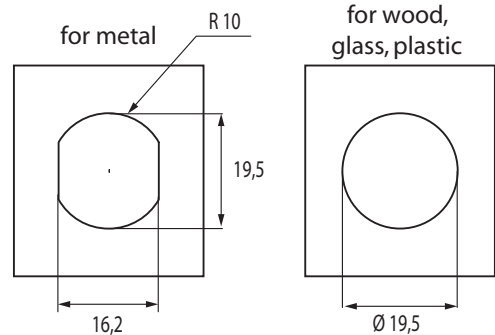
Specifications:

Zamak body, cylinder & hex nut
 Cap in stainless steel
 Steel cam & keys
 Transparent PVC washer for glass fixing
 Cylinder size: $\varnothing 19 \times 16$ or $\varnothing 19 \times 30$ mm
 400 key combinations or key alike
 90 or 180° turn
 Various cam plate styles/sizes

Item No.: # 14.04.470 ect.



Fixing hole



CAM LOCK W/CONICAL ZAMAK CAP

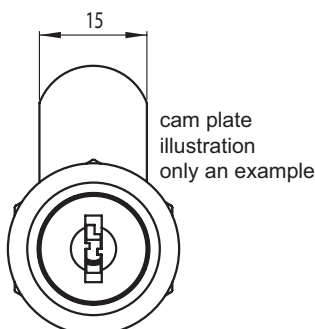
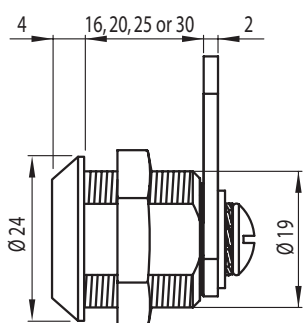
Accessories for one set:

- 1 lock
- 1 hex nut
- 1 cam plate
- 2 transparent washers
- 2 SISO car keys

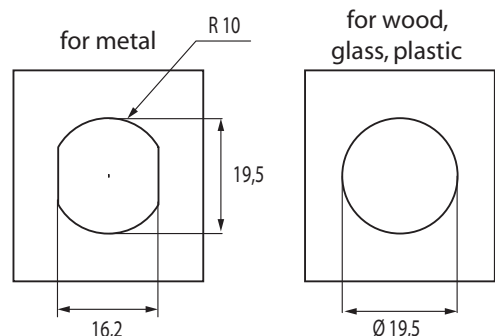
Specifications:

Zamak body, cap, cylinder & hex nut
 Steel cam & keys
 Transparent PVC washer for glass fixing
 Cylinder size: $\varnothing 19 \times 16$, 20, 25 or 30 mm
 90 or 180° turn
 Various cam plate styles/sizes
 400 key combinations or key alike
 Master key & interchangeable system available on request

Item No.: # 14.04.461 ect.



Fixing hole



CAM LOCK 1920 W/SQUARE BIT KEY

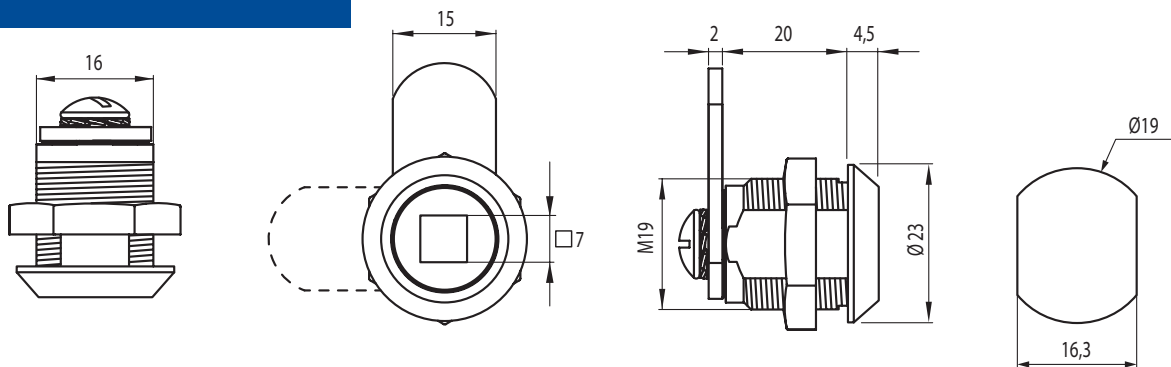
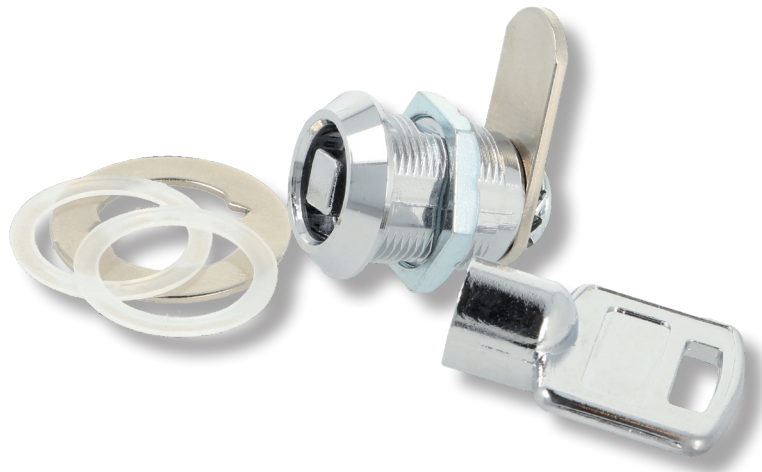
Accessories for one set:

- 1 cylinder \varnothing 19 x 20 mm
- 1 hex nut
- 1 cam plate No. A01
- 1 spike washer
- 2 transparent washers
- 1 zamak bit key

Specifications:

Zamak lock body, cylinder & key
 Steel spike washer & cam plate
 Transparent washers in PVC
 90° turn, Chrome plated
 Activated by pushing in the bit key

Item No.: # 14.04.481



CAM LOCK 1920 W/TURN KNOB

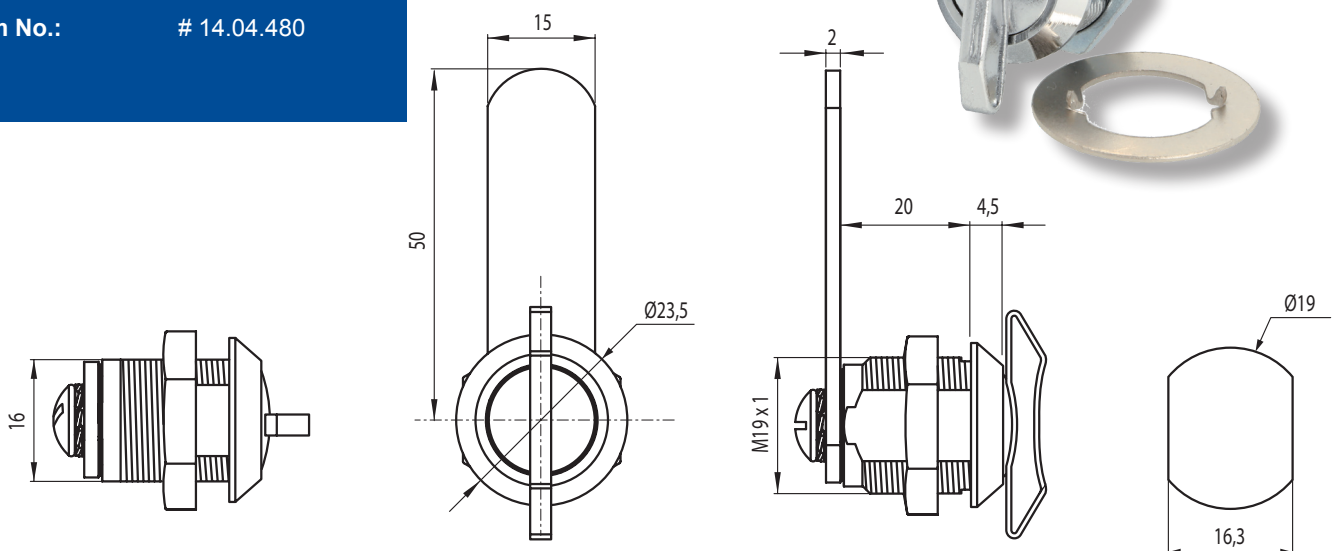
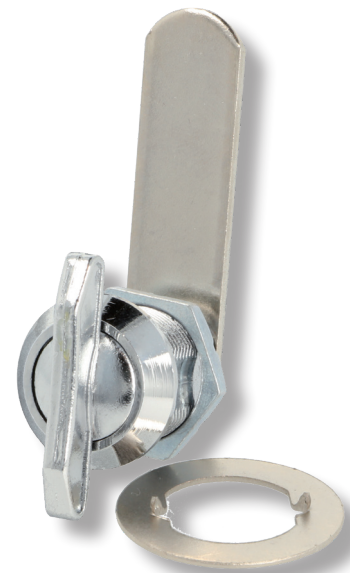
Accessories for one set:

- 1 cylinder \varnothing 19 x 20 mm
- 1 hex nut
- 1 cam plate No. A06
- 1 spike washer

Specifications:

Zamak lock body, cylinder & knob
 Steel spike washer & cam plate
 90° turn, Chrome plated

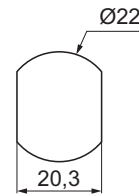
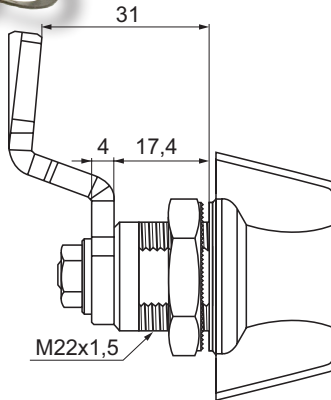
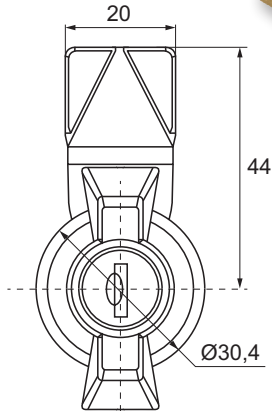
Item No.: # 14.04.480



Cam Lock "Biggi"

Ø20x18mm, CPL,
W/Dust Cover,
W/15mm Cranked Cam, ce:45mm,
W/Black Washer & Brass Hex Nut,
W/5 Car Keys W/Biggi Logo

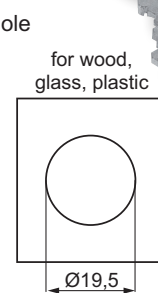
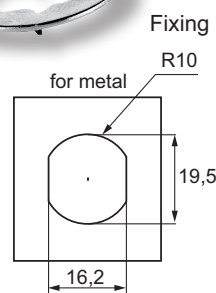
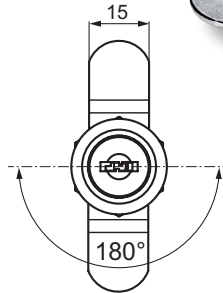
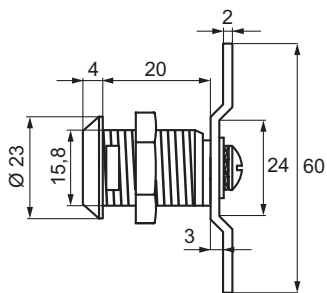
Item No.: #14.08.125



Cashier Desk Lock M-1920

180° rotation 2 stops
at 90° and 180°

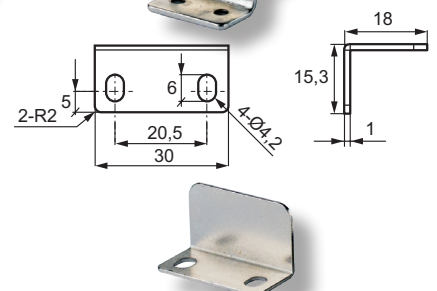
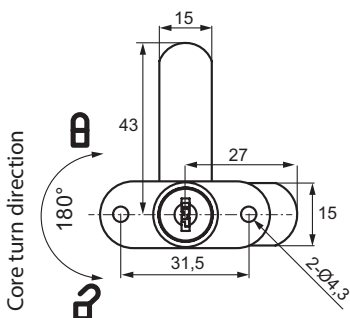
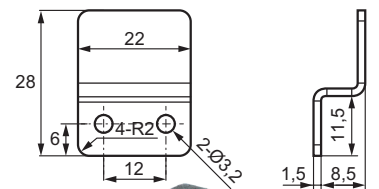
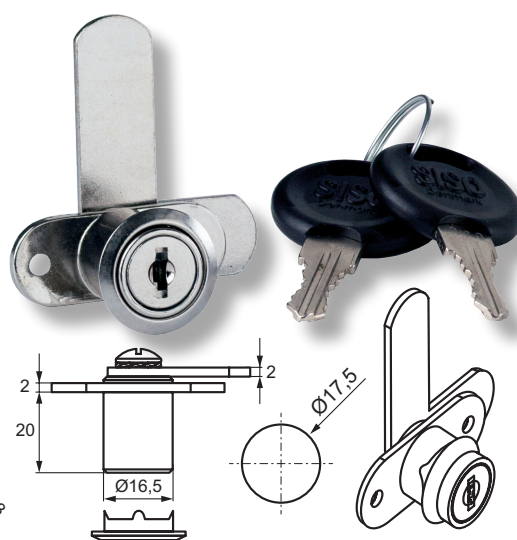
Item No.: # 14.04.487



Universal cam lock 5250

Cylinder: ø16,5 x 20 mm
Double cam No. 145
Incl. 2 different strikers

Item No.: # 14.04.630

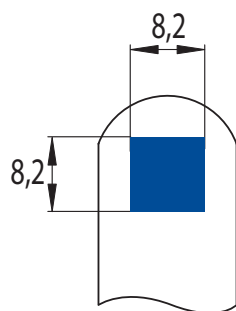


| STRAIGHT CAM PLATE | CODE | L |
|--------------------|------|----|
| | A01 | 25 |
| | A02 | 30 |
| | A03 | 35 |
| | A04 | 40 |
| | A05 | 45 |
| | A06 | 50 |

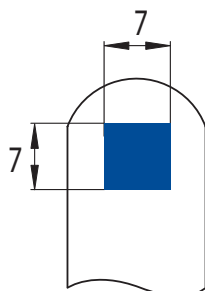
| HOOK TYPE CAM PLATE | CODE | L |
|---------------------|------|----|
| | A07 | 25 |
| | A08 | 30 |
| | A09 | 40 |
| | A10 | 50 |

| OFFSET CAM PLATE | CODE | L | H | CODE | L | H | CODE | L | H |
|------------------|------|----|---|------|----|---|------|----|---|
| | A21 | 25 | 2 | A31 | 25 | 3 | A41 | 25 | 4 |
| | A22 | 30 | 2 | A32 | 30 | 3 | A42 | 30 | 4 |
| | A23 | 35 | 2 | A33 | 35 | 3 | A43 | 35 | 4 |
| | A24 | 40 | 2 | A34 | 40 | 3 | A44 | 40 | 4 |
| | A25 | 45 | 2 | A35 | 45 | 3 | A45 | 45 | 4 |
| | A26 | 50 | 2 | A36 | 50 | 3 | A46 | 50 | 4 |

| OFFSET CAM PLATE | CODE | L | H | CODE | L | H | CODE | L | H |
|------------------|------|----|---|------|----|---|------|----|---|
| | A51 | 25 | 5 | A61 | 25 | 6 | A71 | 25 | 7 |
| | A52 | 30 | 5 | A62 | 30 | 6 | A72 | 30 | 7 |
| | A53 | 35 | 5 | A63 | 35 | 6 | A73 | 35 | 7 |
| | A54 | 40 | 5 | A64 | 40 | 6 | A74 | 40 | 7 |
| | A55 | 45 | 5 | A65 | 45 | 6 | A75 | 45 | 7 |
| | A56 | 50 | 5 | A66 | 50 | 6 | A76 | 50 | 7 |



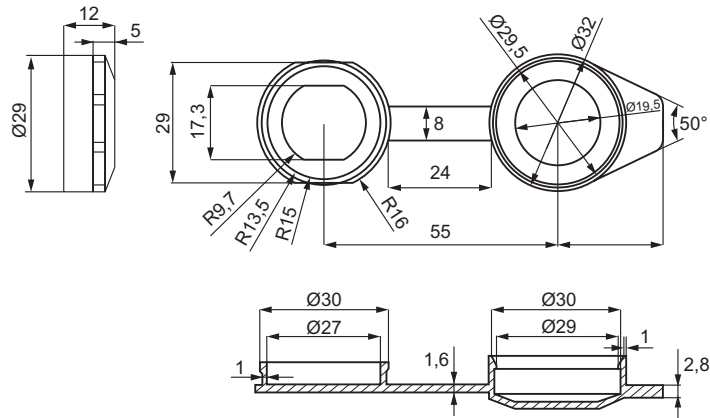
FOR CAM LOCK 1900 & 5250 SERIES



FOR CAM LOCK MIC 1900 SERIES

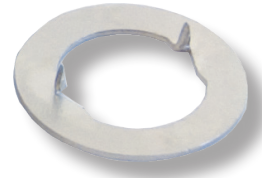
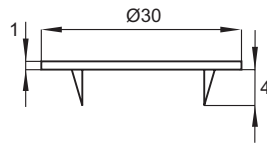
Plastic Cover Cap
Black PE material

Item No.: # 14.04.560



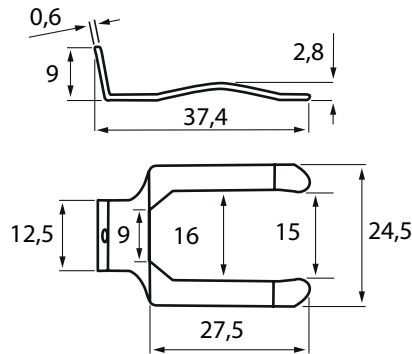
Spike Washer
Steel nickel plated

Item No.: # 14.04.307



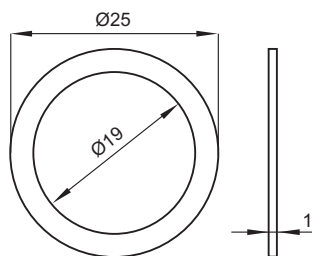
Spring Clip
Steel nickel plated

Item No.: # 14.04.308



Plastic Washer
Transparent PVC

Item No.: # 14.09.340



PUSH LOCK NO. 1003



Application:
Sliding doors

Accessories for one set:
1 lock
1 rosette
2 SISO car keys

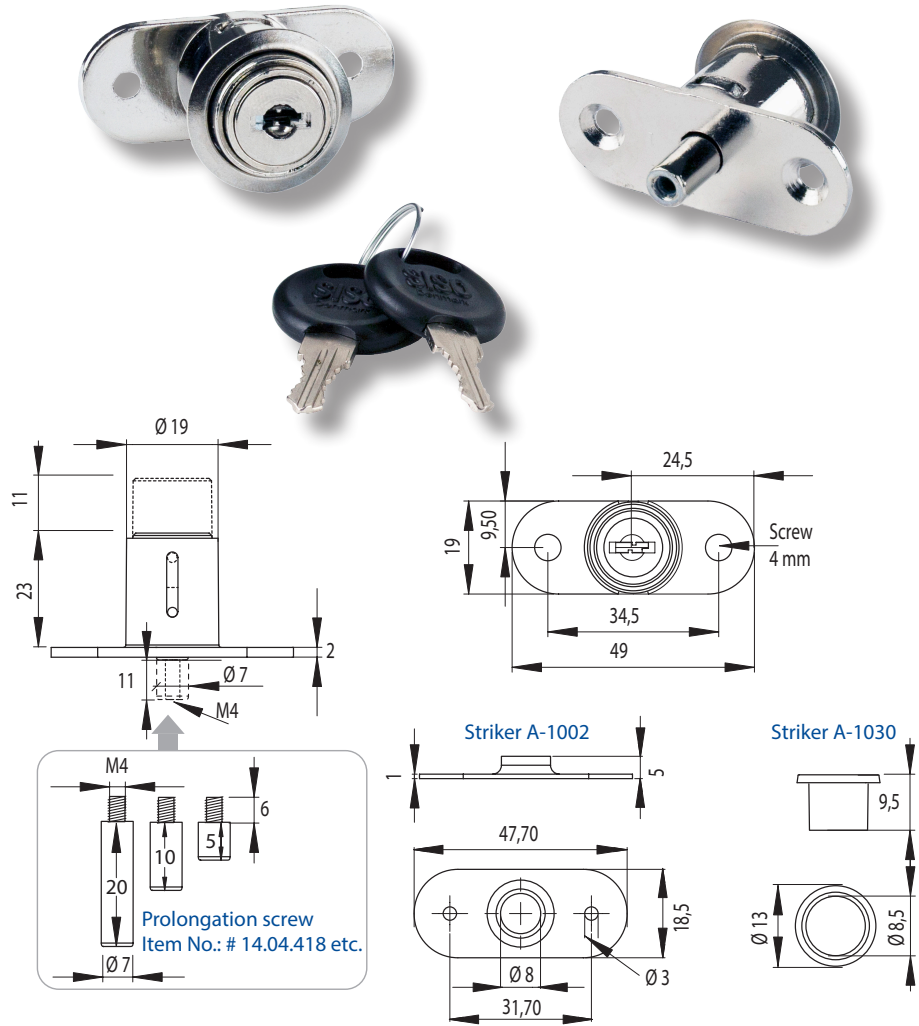
Function:
To open: turn key
To close: push cylinder
Special model available security action i.e. lock can not be pushed/closed out inserting and turning the key

Specification:
Zamak lock body & cylinder
Steel rosette & keys
Cylinder dia. 19 mm
Cylinder lengths: 23 mm
400 key combinations or key alike
Master key & Interchangeable system available on request

Option:
Striker A-1002 or 1030
Pin Extension A-1009
5, 10 or 20 mm upon request

Finish:
Nickel plated
Brass plated
Black anodized

Item No.: # 14.03.030 etc.



PUSH LOCK NO. T-1003

Application:
Sliding doors

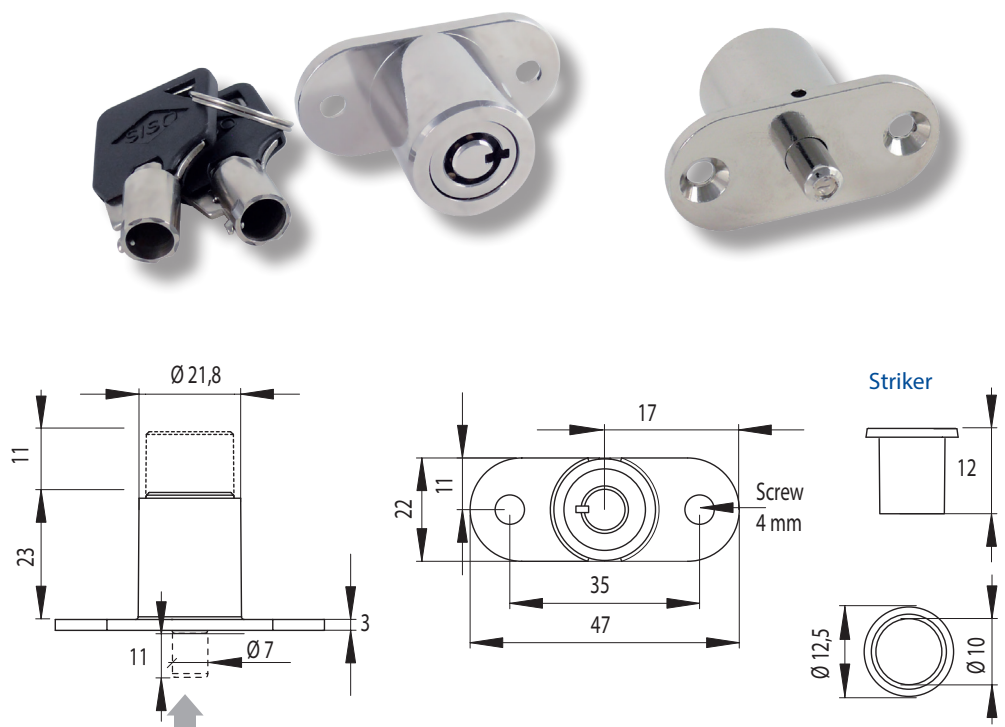
Accessories for one set:
1 lock $\varnothing 22 \times 24$ mm
1 rosette
1 locking sleeve/striker
2 Tubular SISO car keys

Function:
To open - turn key
Push cylinder to lock

Specification:
Zamak lock body & Cylinder
Steel rosette & locking sleeve
2000 key combinations

Finish:
Nickel plated

Item No.: # 14.03.035



Application:
Sliding doors

Accessories for one set:
1 lock
1 rosette
2 SISO car keys

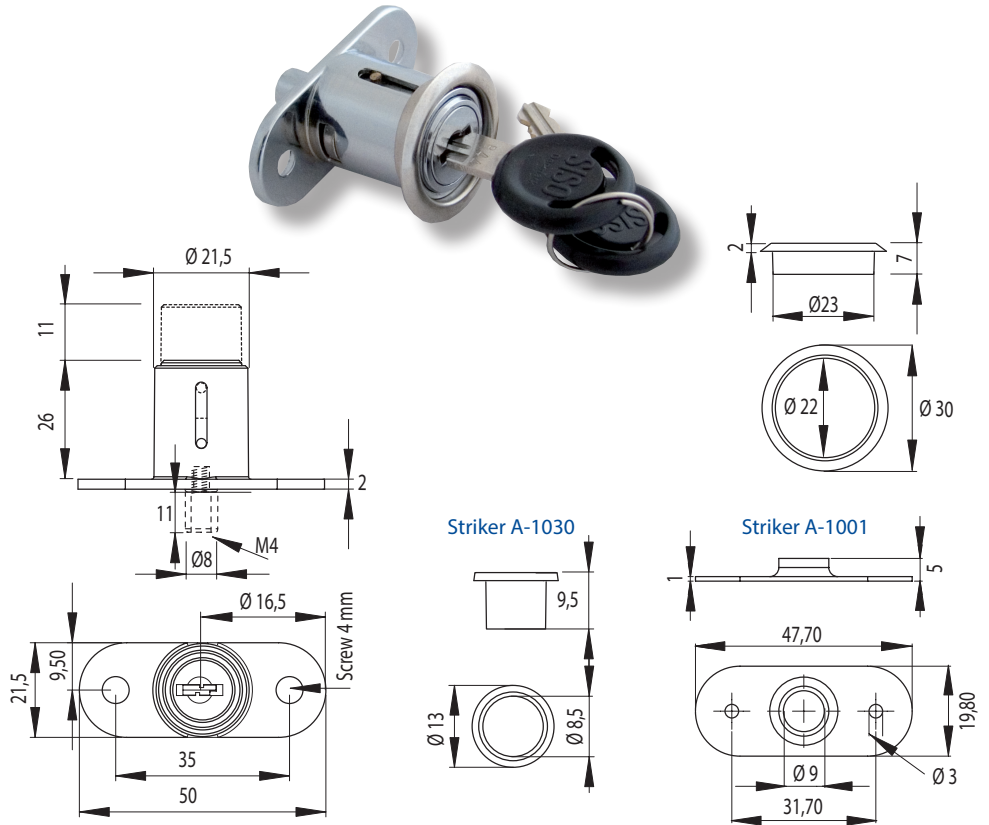
Function:
To open turn key
Push cylinder to lock

Specification:
Zamak lock body & cylinder
Steel rosette, keys & striker
Cylinder dia. 22 mm
Cylinder lengths: 26 mm
400 key combinations
Master Key system available on request

Option:
Striker A-1030 or A-1001

Finish:
Chrome plated

Item No.: # 14.02.980



PUSH LOCK MODEL "BUDAPEST"

Application:
Sliding doors, post boxes and other all round application

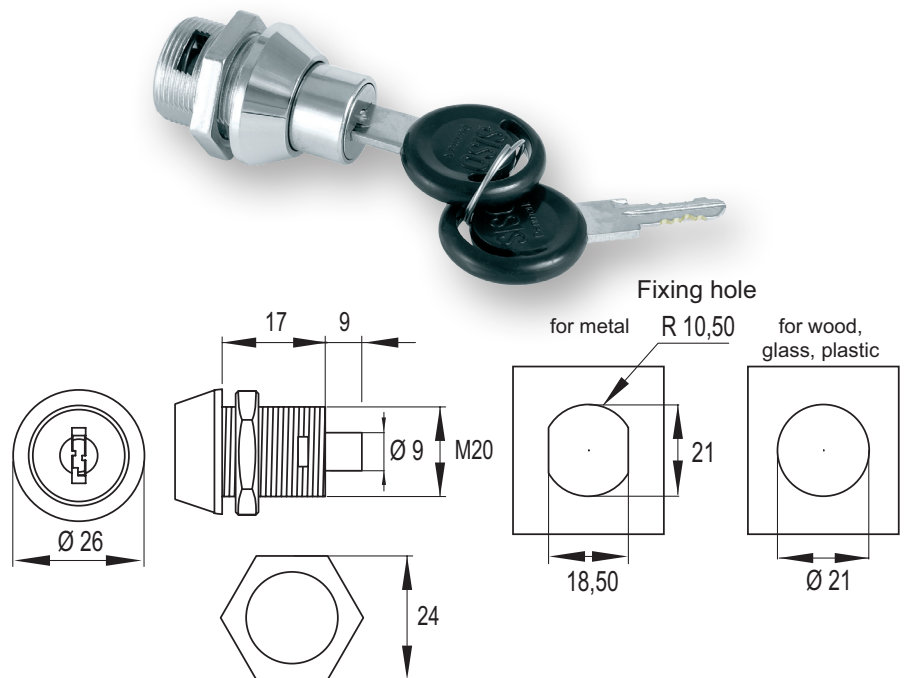
Accessories for one set:
1 lock
2 SISO car keys

Function:
To open – turn key
Push cylinder to lock

Specification:
Zamak lock body & cylinder
Steel rosette & keys
400 key combinations or key alike

Finish:
Nickel plated

Item No.: # 14.03.006



PUSH LOCK - MODEL "CARAVAN"

Material:
Plastic

Application:
Drawers, wardrobes, cabinets in caravans + vessels + airplanes

Universal for right/left/draw application

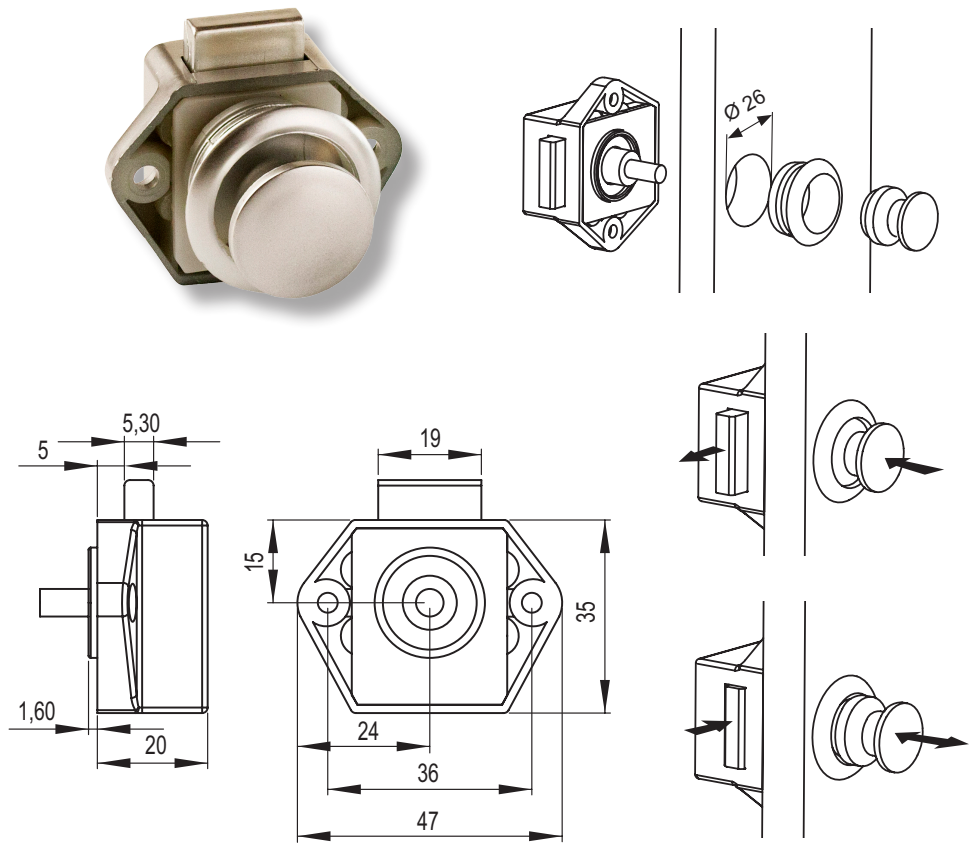
Accessories for one set:
1 lock
1 rosette
1 push button

Function:
Close the door, push the knob inside and secure the latch so door will not open until knob is pushed out again

FOR DOOR THICKNESS 16 MM

Finish:
Silver sprayed

Item No.: # 14.03.050



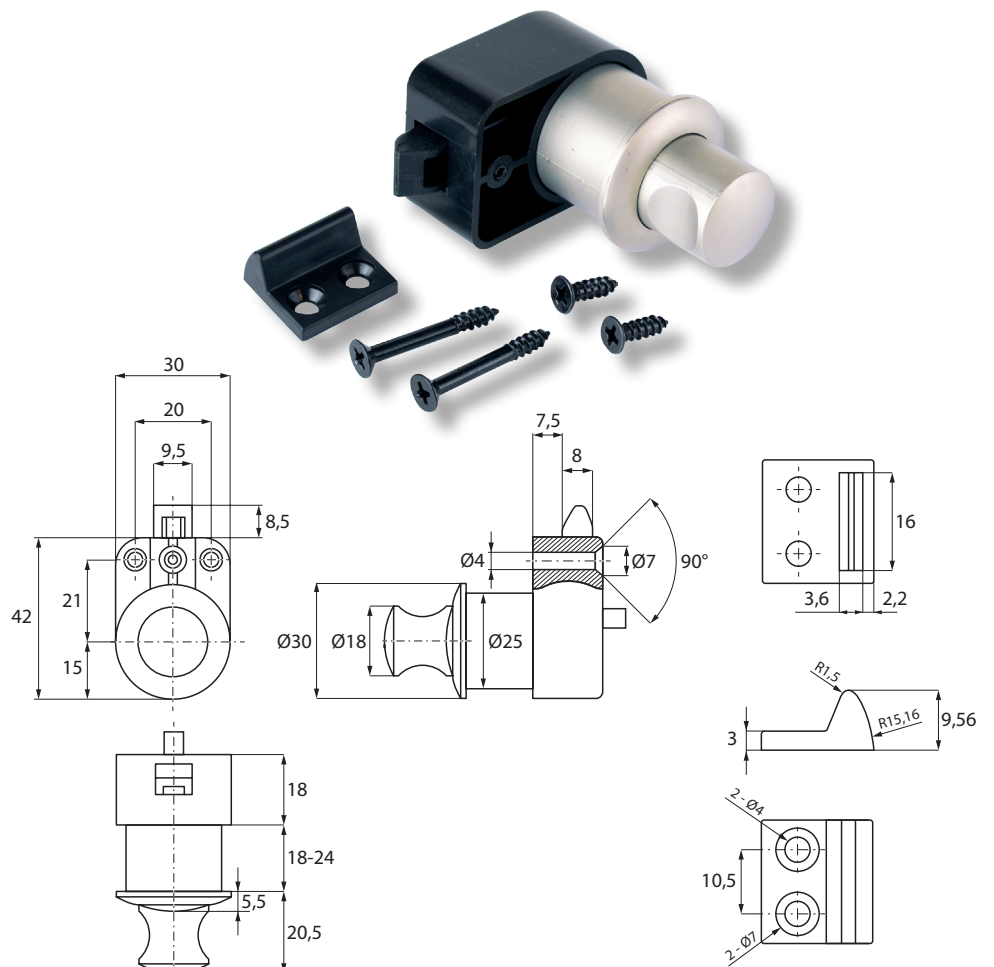
PUSH LOCK "CAMP"

Application:
For drawers, wardrobes & cabinets in caravans, vessels, airplanes ect.

Accessories for one set:
1 lock
1 plastic striker w/fixing screws
2 screws f/panel thickness extension

Specifications:
Cylinder and knob made of zamak
Lock body made of plastic
Slam lock function
Locked by pushing the knob
Panel thickness 18 - 24 mm

Item No.:
Black/chrome plated # 14.03.055
Black/matt nickel plated # 14.03.056



Application:

For drawers, wardrobes & cabinets
in recreational vehicles (RV)

Accessories for one set:

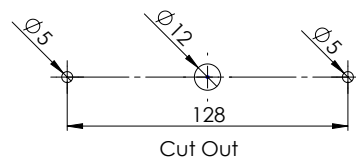
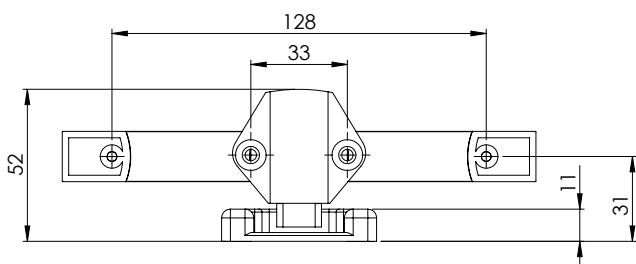
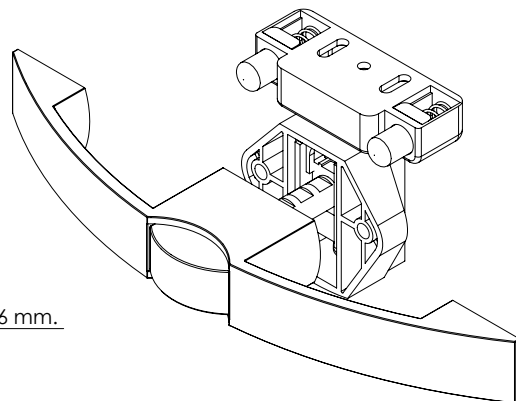
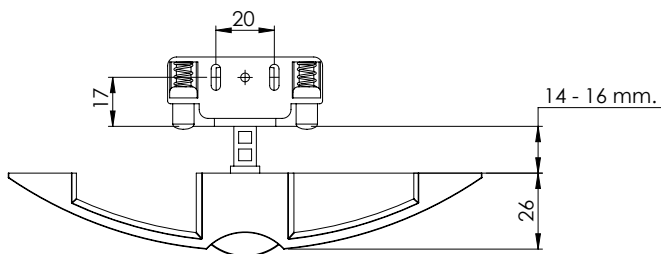
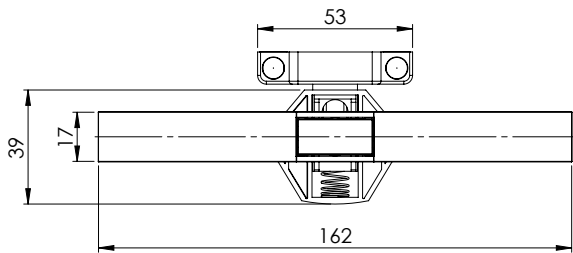
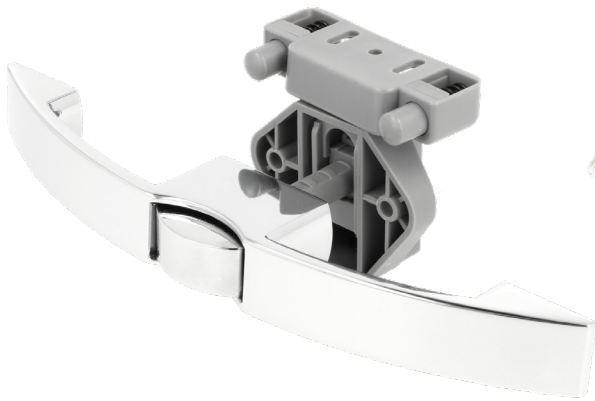
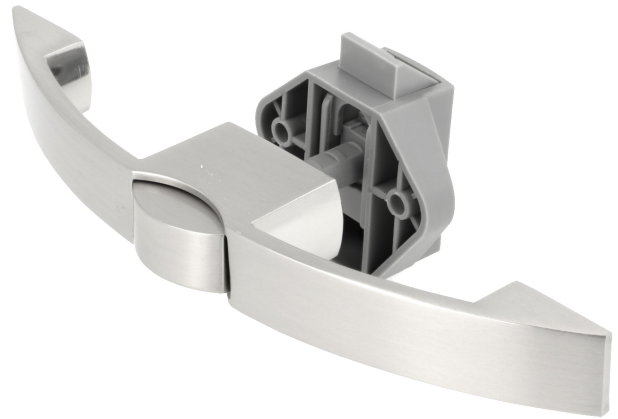
- 1 grey ABS lock body
- 1 zamak knob & handle cc: 128 mm
- 1 grey ABS striker with spring tension

Specifications:

Panel thickness 14 – 16 mm
Slam lock function
Locked by pushing the knob

Item No.:

- Chrome plated # 14.03.070
- Black anodized # 14.03.071
- SS-lock # 14.03.072



PUSH LOCK "RV" - SQUARE

Application:

For drawers, wardrobes & cabinets
in recreational vehicles (RV)

Accessories for one set:

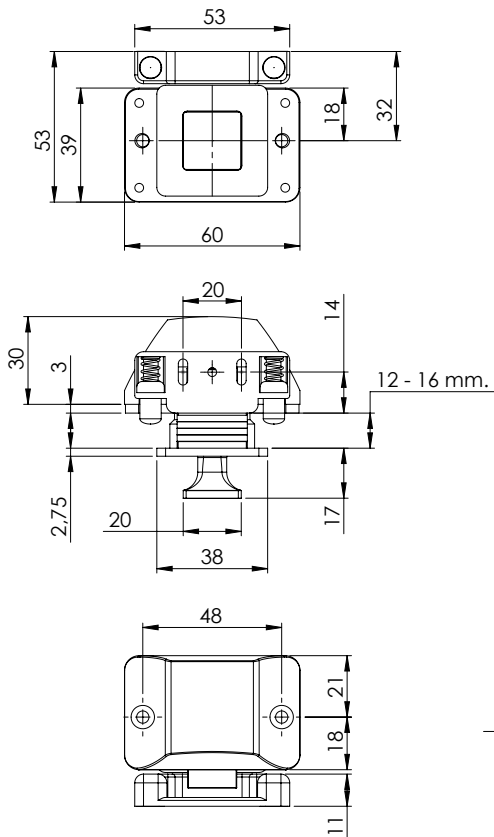
- 1 grey ABS lock body
- 1 zamak push knob/front
- 1 grey ABS striker with spring tension
- 1 grey ABS panel reduction spacer - 3 mm

Specifications:

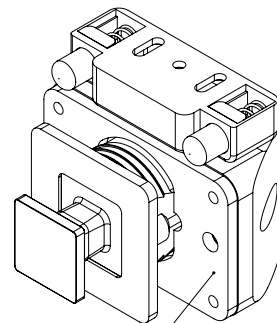
Panel thickness 12 – 16 mm
Push the knob to open and close

Item No.:

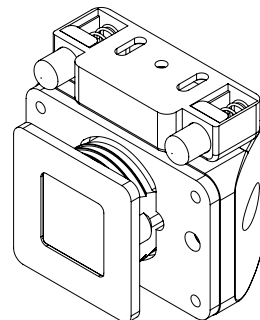
- Chrome plated # 14.03.065
- Black anodized # 14.03.066
- SS-look # 14.03.067



Illustrated below in open position.



Distance plate to be used by 12 - 13 mm. installation



Illustrated above in locked position.

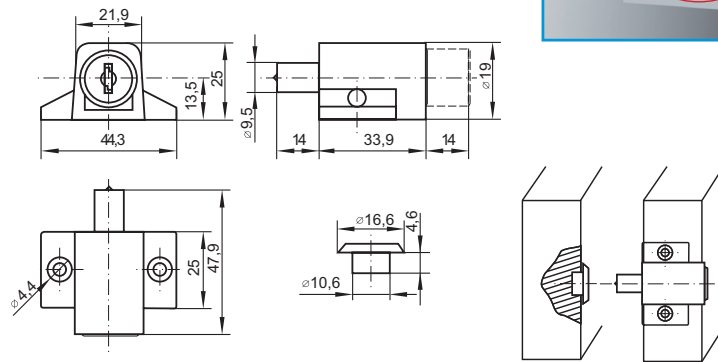
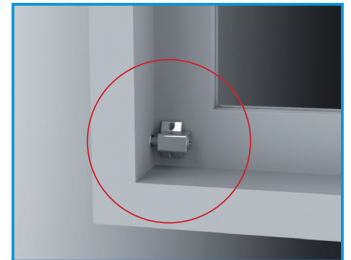
Application:
Windows

Accessories for one set:
1 lock body
1 rosette
2 SISO car keys

Function:
To close: push the cylinder
To open: insert key & turn it

Specifications:
Zamak lock body & cylinder
Steel rosette & keys
Key alike (KA) or 400 key combinations

Item No.:
Matt nickel plated - KA # 14.02.997
White powder coated - KA # 14.02.999
Chrome plated - KA # 14.03.002
Chrome plated - key to dif # 14.03.001

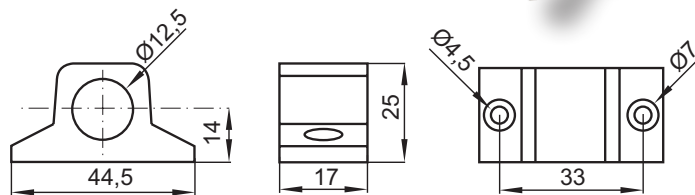
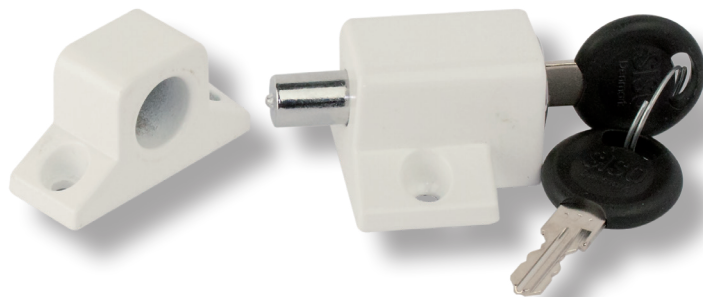


ZAMAK STRIKER FOR LOCK NO. 280

Application:
Striker for extra security

Specifications:
Zamak material
Screw-on type

Item No.:
White # 14.02.995

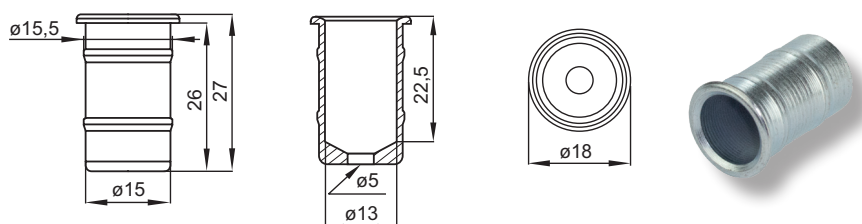


STEEL BUSHING FOR LOCK NO. 280

Application:
Bushing for extra security

Specifications:
Steel material
Drill: $\varnothing 13 \times 27$ mm

Item No.:
Bright zinc plated # 14.02.996



PADLOCKABLE CAM LOCK NO. 300



Application:

For metal lockers & wooden cabinets
To be used with a padlock
Available in right & left hand version

One lock consists of:

- 1 lock cylinder
- 1 cam plate
- 1 hex nut
- 2 transparent PVC washers
- 1 spike metal washer

Specifications:

Turn knob & cylinder made of zamak
Cam, hex nut & washer made of steel
90° turn
F/Shackle size Ø5 - to 7 mm - min.16mm width
Chrome Pl. (CPL) or black anodized (BLK)

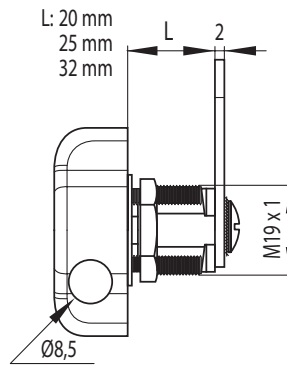
Item No.:

Right Hand version:

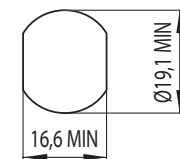
- Ø19 x 20 mm - CPL - Cam A04 # 14.04.586-5
- Ø19 x 25 mm - CPL - Cam A04 # 14.04.587-4
- Ø19 x 25 mm - BLK - Cam 3 # 14.04.587-9
- Ø19 x 32 mm - CPL - Cam A04 # 14.04.589-0

Left Hand version:

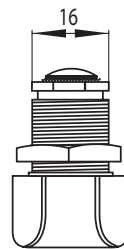
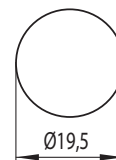
- Ø19 x 20 mm - CPL - Cam A02 # 14.04.586-9
- Ø19 x 25 mm - CPL - Cam A04 # 14.04.587-5
- Ø19 x 32 mm - CPL - Cam A04 # 14.04.589-7



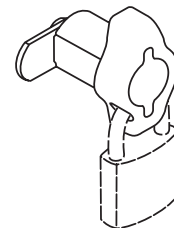
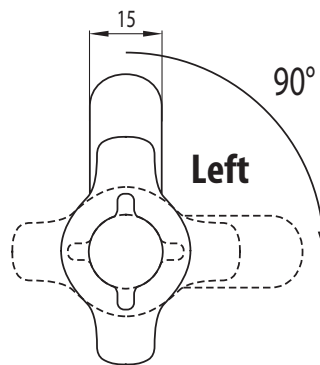
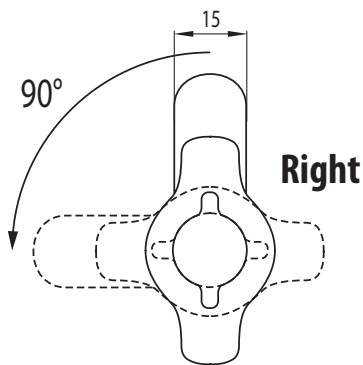
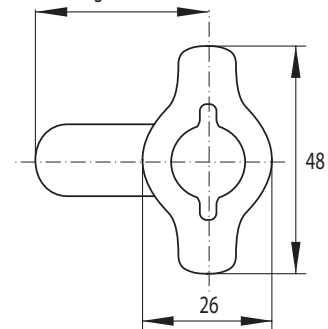
Standard fixing hole - metal



Fixing hole - wood



According to Cam model



ANTI-TWIST PLATE F/PADLOCKABLE CAM LOCKS

Application:

For metal lockers

Material:

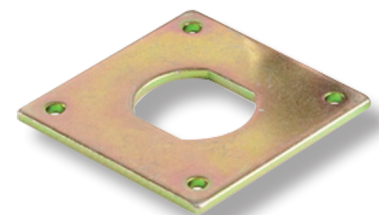
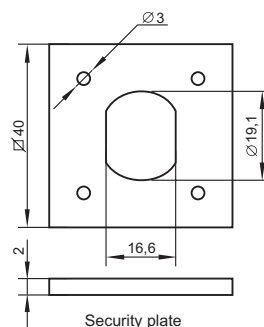
Hardened yellow zinc plated steel

Size:

40 x 40 x 2 mm

Item No.:

14.04.584



Application:

For metal lockers and wooden
To be used with a padlock.

Accessories for one set:

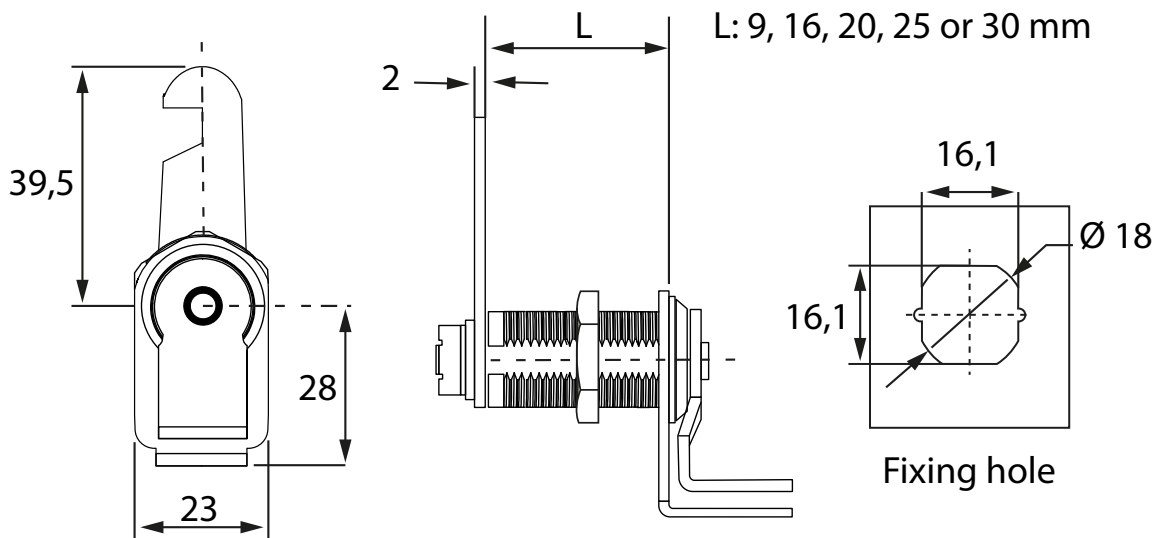
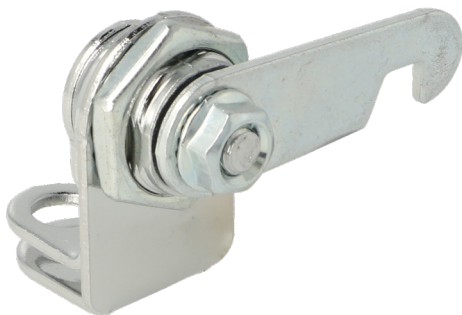
- 1 lock cylinder
- 1 hooked cam plate ce: 39,5 mm
- 1 hex nut

Specifications:

Zamak lock body
Steel brackets & cam plate
360 DG turn
Chrome plated
F/Schackle size: \varnothing 8 mm

Item No.:

- \varnothing 18 x 9 mm # 14.04.570
- \varnothing 18 x 16 mm # 14.04.571
- \varnothing 18 x 20 mm # 14.04.572
- \varnothing 18 x 25 mm # 14.04.573
- \varnothing 18 x 30 mm # 14.04.574



Application:

For metal lockers & cabinets.
To be used with a padlock.

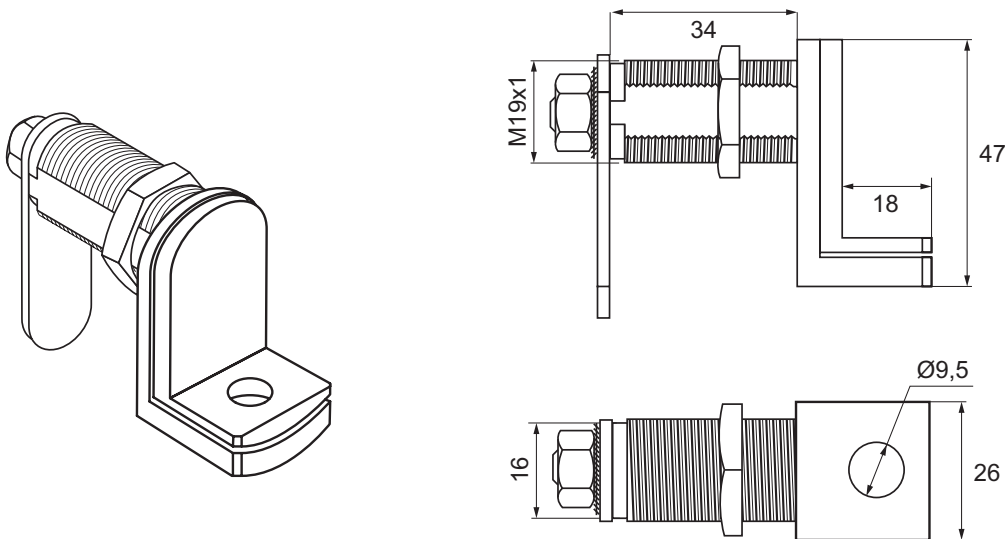
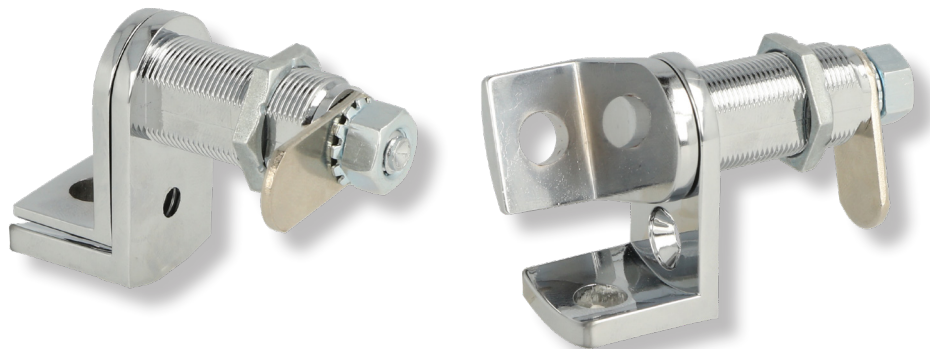
Accessories for one set:

- 1 cylinder \varnothing 19 x 34 mm
- 1 hex nut
- 1 cam plate no. 9

Specifications:

Cylinder and handle made of zamak - CPL
Cam made of steel.
Hex nut made of zamak
360° turn
Shackle hole \varnothing 9,5 mm

Item No.: # 14.04.590



PADLOCK 40MM, FULL PLASTIC COVER

Description:

Brass padlock \varnothing 6,2 mm hardened steel shackle.
2 SISO metal keys if key to differ.
If key alike only 1 SISO metal key.
Full matt black plastic cover to avoid damaging cabinets.

Body size: 40 x 36 x 19,3 mm.

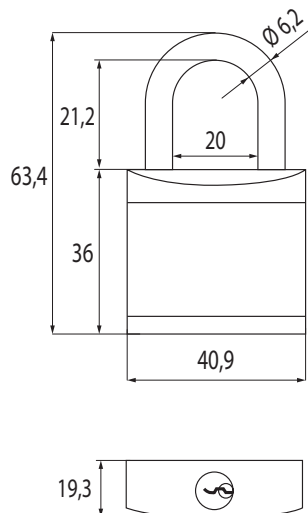
Minimum 800 key combinations
or key alike (KA).

Item No:

Padlock 40 mm, 150 key combinations
W/3 metal keys # 14.04.597-9

Padlock 40 mm, key alike KA:1
W/1 metal keys # 14.04.598

Padlock 40 mm, key alike KA:2
W/1 metal keys # 14.04.599



COMBINATION PADLOCK 4-DIGITS W/MASTER KEY

Application:

For metal lockers & cabinets.
To be used with padlockable cam lock.

Accessories for one set:

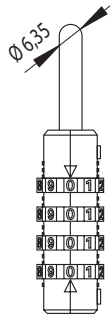
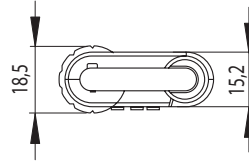
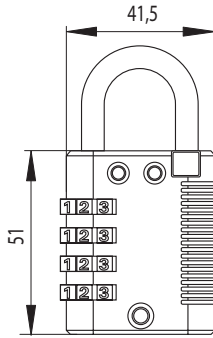
1 padlock body - 41,5 x 81,6 x 18,5 mm (W/H/D)
1 shackle - $\varnothing 6,3$ x 32mm outer width

Specifications:

Lock body - zamak – black anodized
Shackle made of hardened steel
4 digits from 0 - 9
Pre-coded 0000. Code can be re-set.
W/master key system AP001






Item No.:

Lock # 14.04.594-0
Master key # 14.04.594-9








SETTING YOUR OWN COMBINATION

Your new resettable combination padlock is preset to open at 0-0-0-0, even though dials may be positioned at other numbers.

-  **Step 1:**
Turn the dials and align the numbers to preset combination 0-0-0-0 so they are clearly visible inside the 'windows'.
-  **Step 2:**
Pull out the shackle.
-  **Step 3:**
Turn the shackle counterclockwise 90°.
-  **Step 4:**
Press the shackle down all the way, hold it firmly and turn the dials to your own desired combination. Do not let go of the shackle before completely setting the desired combination.
-  **Step 5:**
Release the shackle and return it back to the original position. Your new personal combination is now ready to use. Keep your combination in a safe and accessible place for future reference.

HOW TO CHECK THE MISSING COMBINATION

When forget the number, you can use Master Key to open the lock and decode the number.

-  **Step 1:**
Use the Master Key.
-  **Step 2:**
Turn the key 90° clockwise to open the lock and release shackle.
-  **Step 3:**
Rotate the dials, till it stop (do this process for all dials).
-  **Step 4:**
Then you got the previous setting combination.
-  **Step 5:**
After you found the opening combination. Please remember to close the cab then take out the key. The lock can be used again.

HIGH SECURITY PADLOCK W/MASTER KEY - 4000 KD

Specifications:

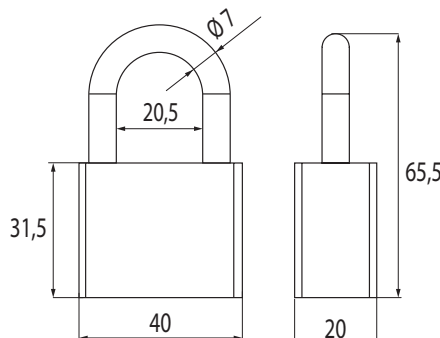
Brass padlock - SS-lock.
 $\varnothing 7$ mm hardened steel shackle.

Body size: 40 x 31,5 x 20 mm

Incl. 2 x blue keys w/key code
4000 key combinations
Master key system 0001.

Item No.:

Lock # 14.04.606-0
Master key # 14.04.606-5



BLUETOOTH RECHARGEABLE INDOOR PADLOCK "E-PAD"



Material:
Zamak body
Carbon hardened steel
7,0 mm shackle

Total size:
60 x 43 x 16 mm

Humidity:
IP44

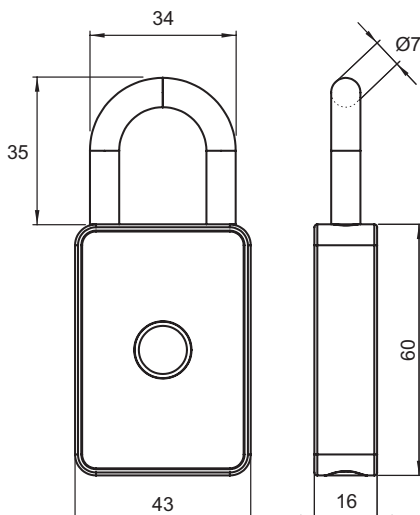
Battery:
Lithium 100mAh/3,7V

Micro USB 2.0

Operated:
IOS or Andriod

Item. No.: # 14.04.601

Included 2 Keys
& USB Charging Cable



Before use: download our **E-LOCKS App**
on App Store or Google Play.
You can find the user guide on www.siso.dk

App Store



Available on the
App Store

Google Play



ANDROID APP ON
Google play

User Guide



WWW.SISO.DK

Application:

Side mounted central lock on left or right side of the pedestal

Accessories for one set:

- 1 lock premounted aluminium locking bar 500, 600, 800 or 1200 mm
- Other lengths upon request
- 1 rosette
- 2 bar guides
- 3 adj. pegs 13 mm
- 2 SISO car keys
- 4 mounting screws

Function:

Turn key 180° locking bar moves down 9 mm to lock any numbers of drawers

Specification:

- Lock, pegs - zamak
- Locking bar - aluminium
- Rosette, keys, screws - steel
- Bar guides - steel
- 400 different key combinations
- Master key & Interchangeable system available on request

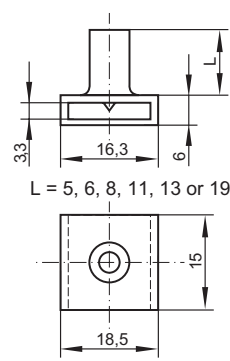
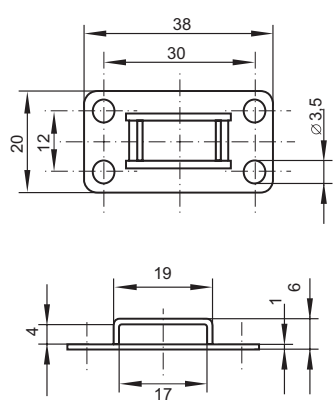
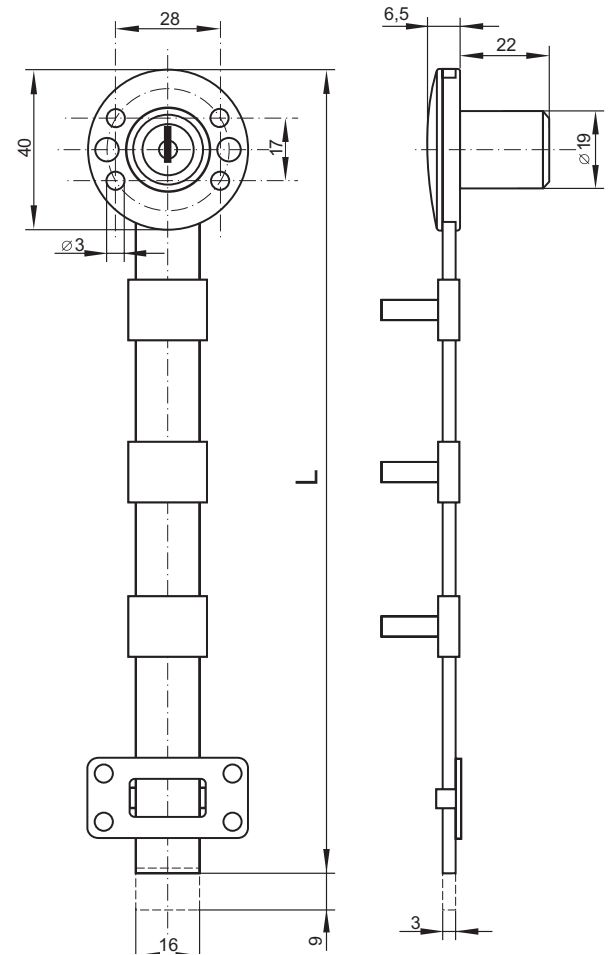
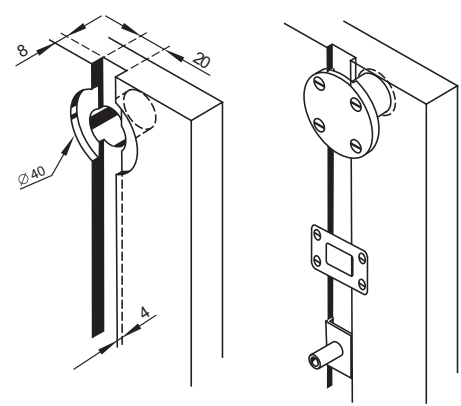
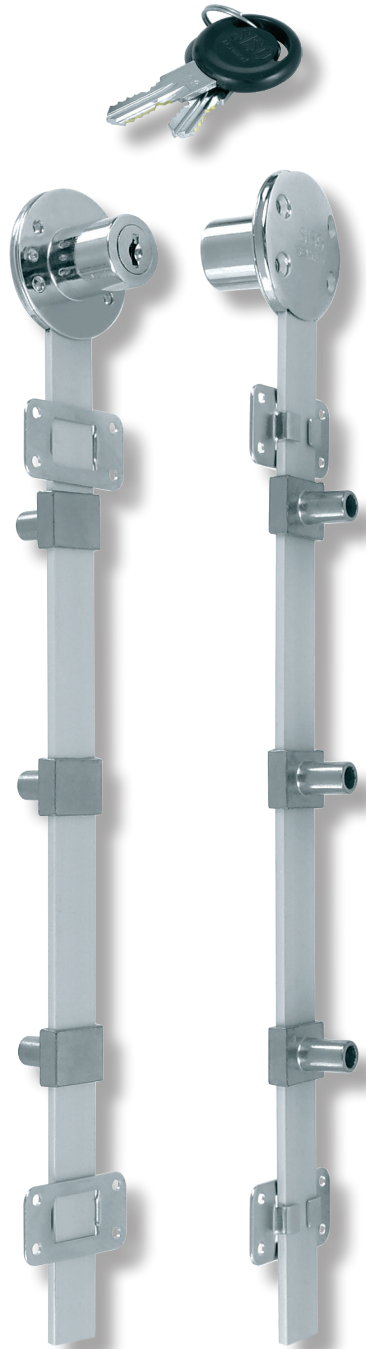
Option:

- Adjustable pegs 5, 6, 8, 11 or 19 mm available from stock

Finish:

- Nickel plated
- Other finish upon request

Item No.: # 14.01.319 etc.



CENTRAL LOCK NO. 851 "CPH"

Application:

Side mounted central lock on left or right side of the pedestal

Accessories for one set:

- 1 lock premounted aluminium lock bar in 500 mm.
- 1 rosette
- 2 bar guides
- 3 adj. pegs 8 mm
- 2 "CPH" hinged car keys

Function:

Turn key 180° locking bar moves down 9 mm to lock any numbers of drawers

Specifications:

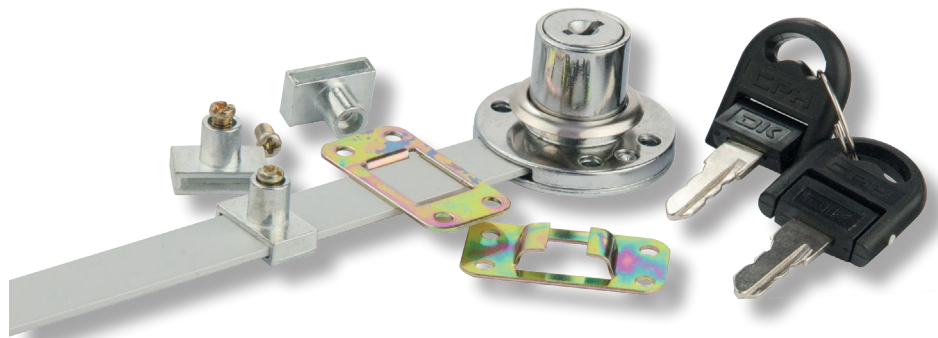
- Zamak lock body, cylinder and pegs
- Aluminium locking bar
- Steel rosette, keys, bar guide & screws
- Cylinder size: $\varnothing 19 \times 20,5$ mm
- 80 key combinations

Finish:

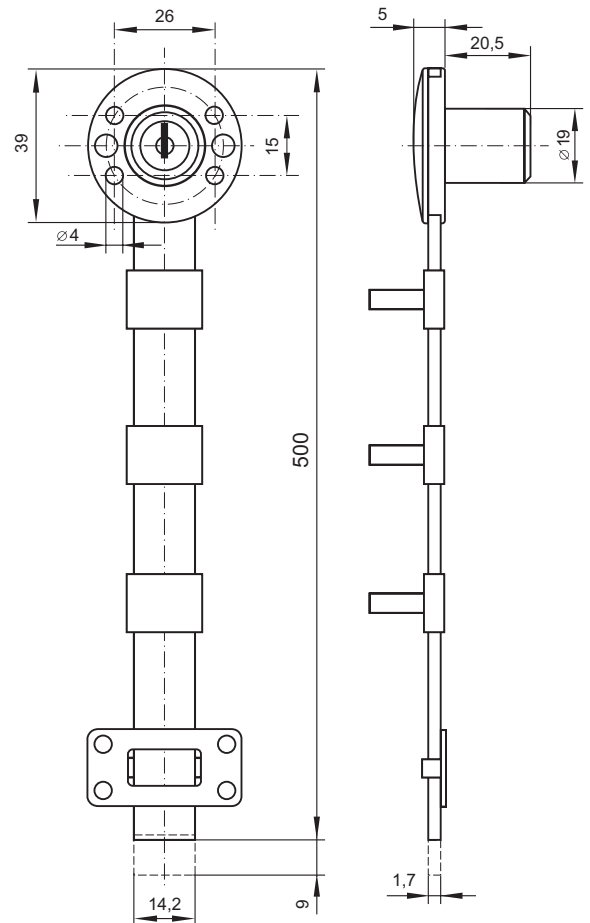
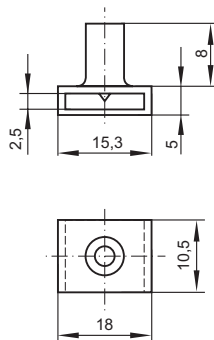
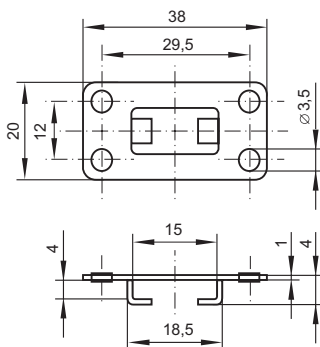
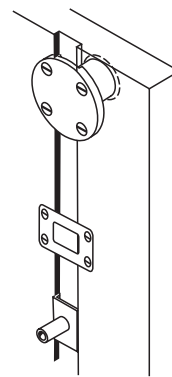
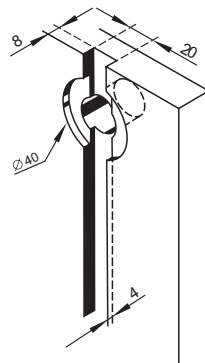
Chrome plated

Item No.:

14.01.340



80 KD



CENTRAL LOCK NO. 1018 - FRONT MOUNTED



Accessories for one set:

- 1 lock body
- 1 rosette
- 1 locking bar 500, 600, 700, 800
- 2 bar guides metal
- 3 adj. pegs 13 mm
- 2 SISO car keys

Function:

Turn key 180° the locking bar move up to block/lock any numbers of drawers

Specification:

Lock, pegs - zamak
 Locking bar - aluminium
 Rosette, key - steel
 400 key combinations
 Master key & Interchangeable system available on request

Option:

Adj. pegs 5, 6, 8, 11, or 19 mm
 Available on stock other
 Lengths of locking bars
 On stock 1200 and 1300 mm

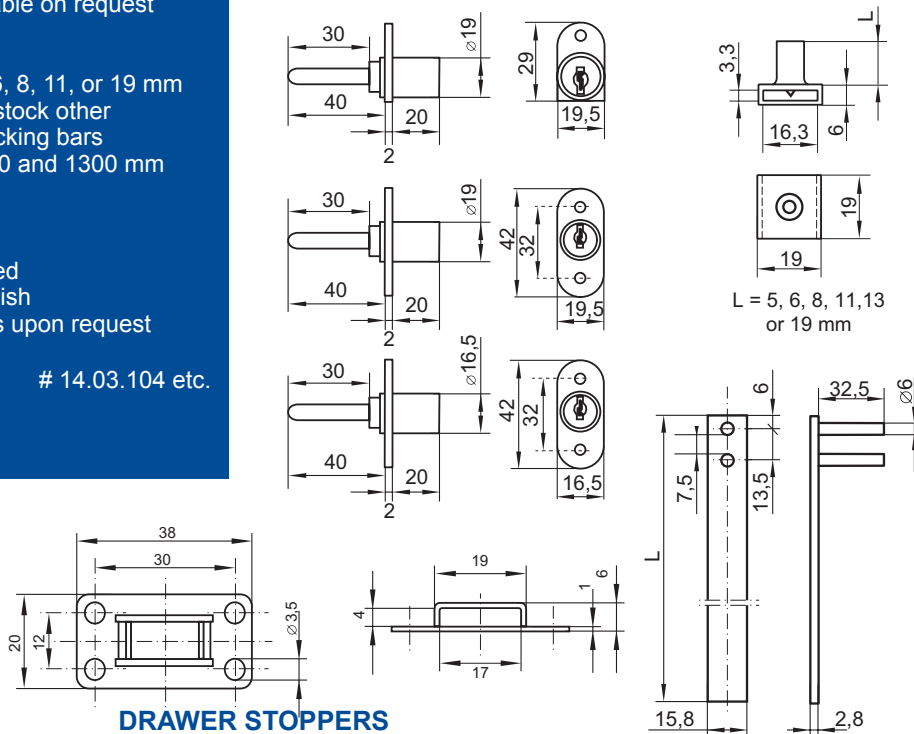
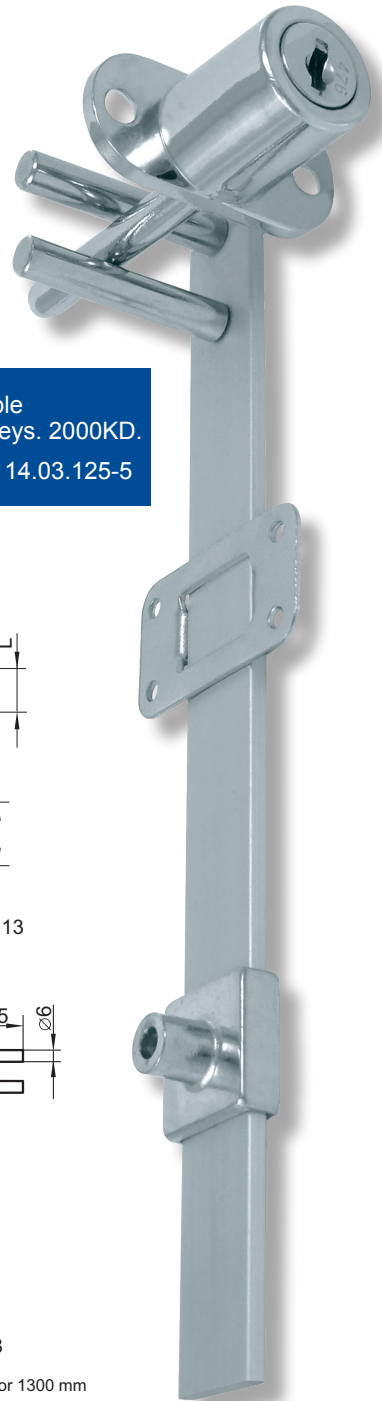
Finish:

Nickel plated
 Black anodized
 Aluminium finish
 Other finishes upon request

Item No.: # 14.03.104 etc.



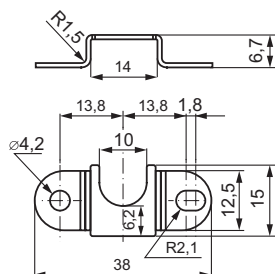
Also available w/Tubular keys. 2000KD.
 Item No.: # 14.03.125-5



OPTIONAL



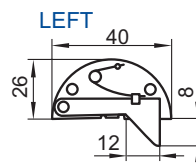
Item No.: # 14.02.011



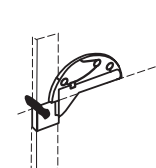
OPTIONAL



Item No.: # 14.02.030



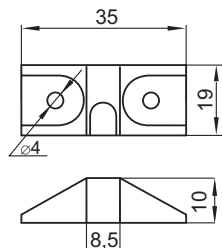
CLOSED



OPTIONAL



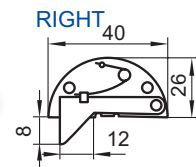
Item No.: # 14.02.010



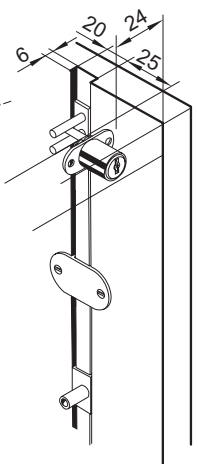
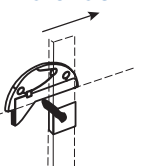
OPTIONAL



Item No.: # 14.02.020



TO CLOSE



Application:

Front mounted central lock on left or right side of the pedestal

Accessories for one set:

- 1 lock
- 1 rosette
- 1 locking bar 500, 600 or 800 mm
- 2 bar guides
- 3 adj. pegs 8 mm
- 2 "CPH" hinged car keys

Function:

Turn key 180° locking bar moves up
To block/lock any numbers of drawers

Specifications:

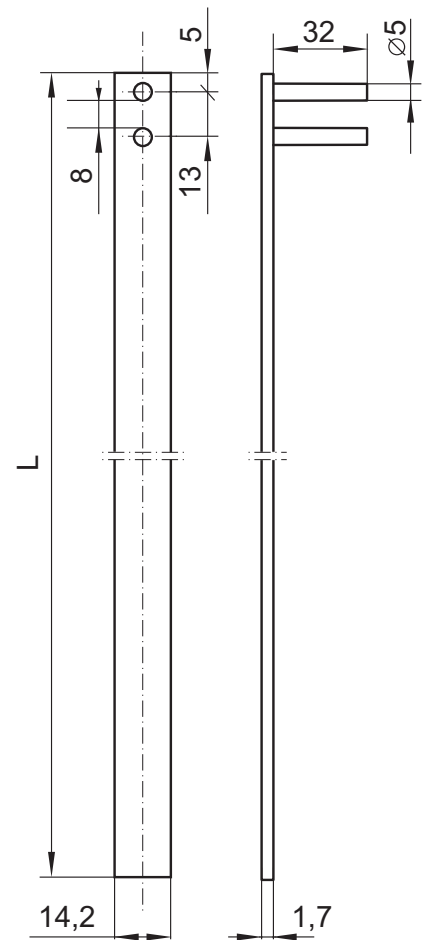
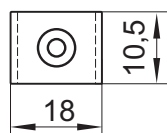
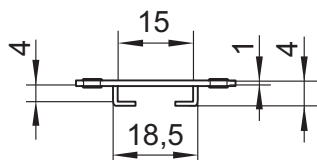
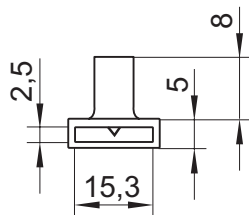
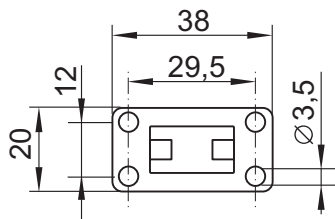
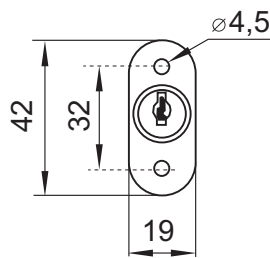
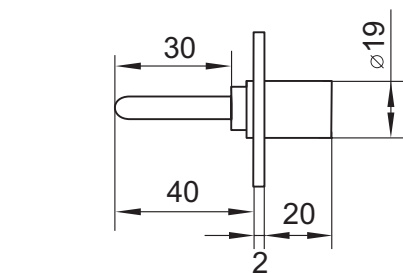
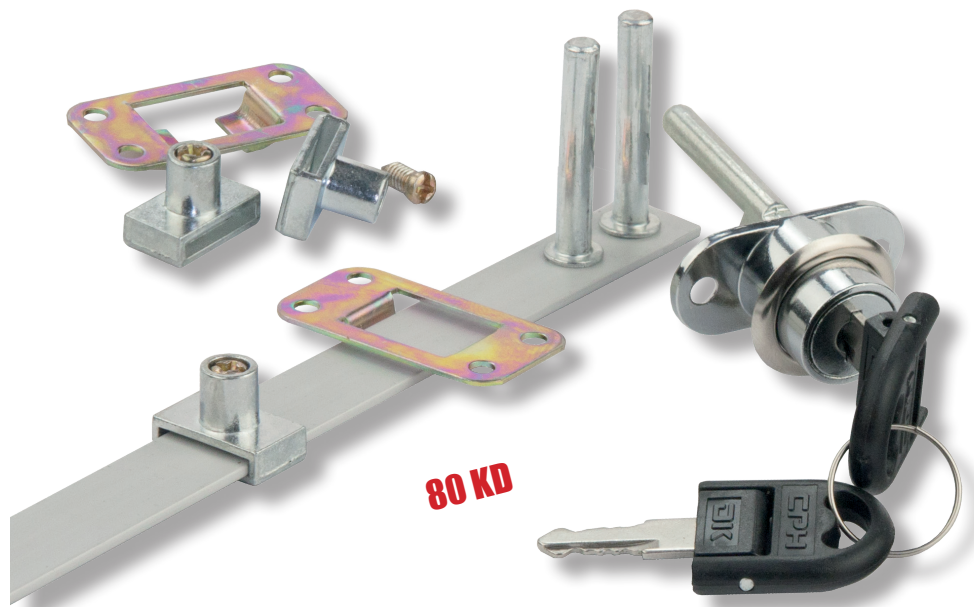
Zamak lock body, cylinder and pegs
Aluminium locking bar
Steel rosette, keys, bar guide & screws
Cylinder size: $\varnothing 19 \times 20$ mm
80 key combinations

Finish:

Chrome plated

Item No.:

- W/500mm bar # 14.03.160
- W/600mm bar # 14.03.165
- W/800mm bar # 14.03.167



L = 500, 600 or 800 mm

Application:

Central lock mounted into side of the pedestal either right or left side suitable only where drawer front goes inside the cabinet

Accessories:

- 1 lock body
- 1 mounting clip
- 1 locking bar 500 or 700 mm others lengths upon request
- 3 adj. pegs 13 mm standard
- 2 bar guides
- 2 SISO car keys

Function:

Turn key 180° and locking bar moves up to lock/block any amount of drawers

Specification:

- Lock, pegs - zamak
- Clip, key, bar guides - steel
- Locking bar - aluminium
- 400 key combinations
- Master Key system available on request

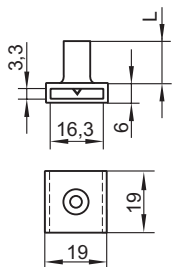
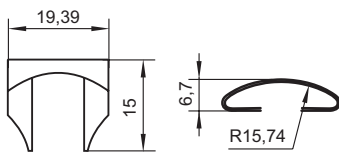
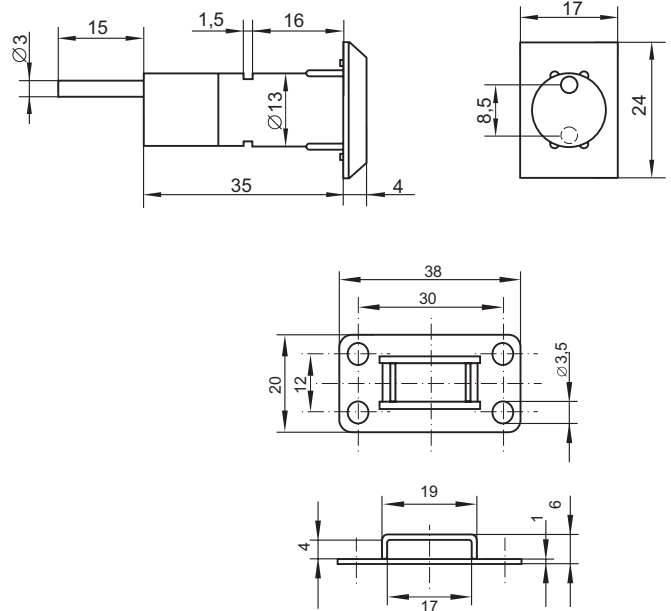
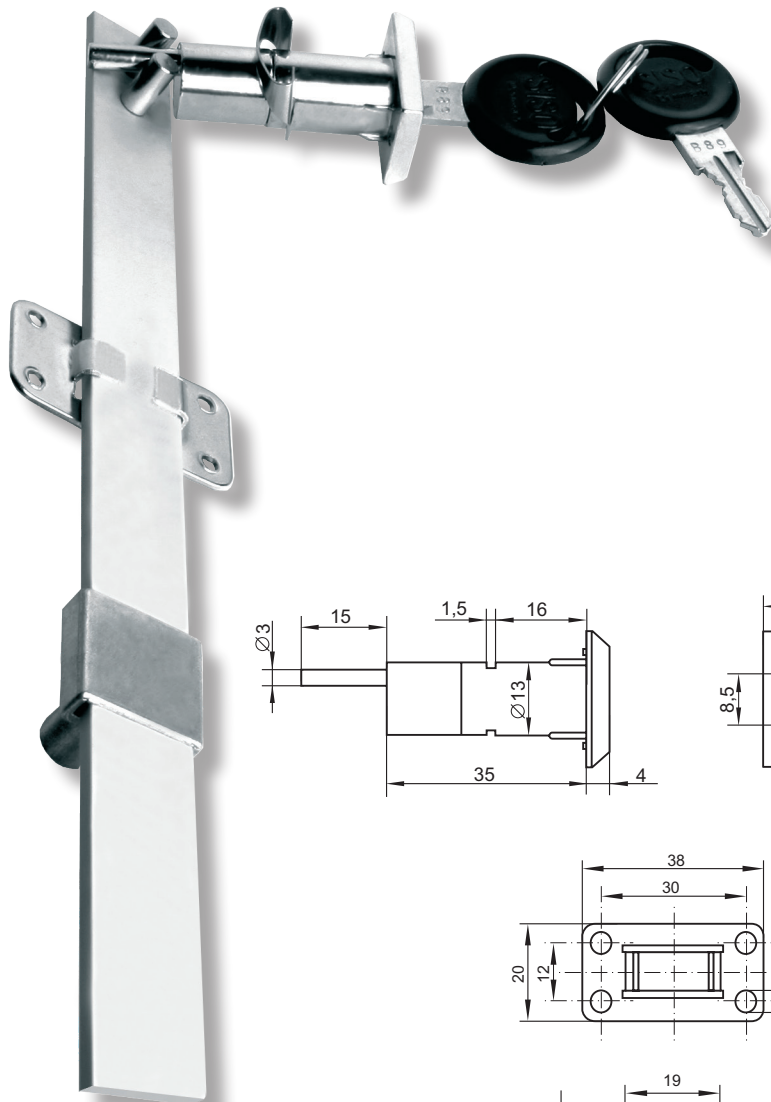
Options:

Adjustable pegs 5, 6, 8, 11 or 19 mm available on stock

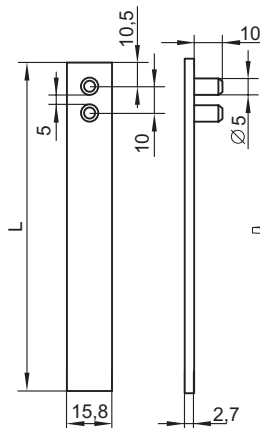
Finish:

Nickel plated

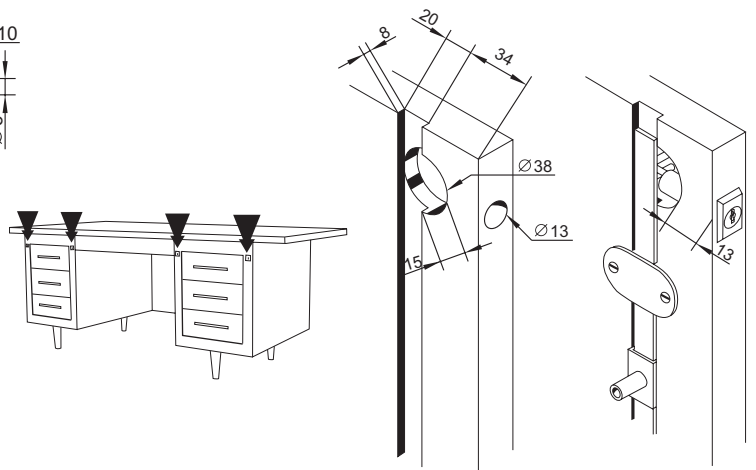
Item No.: # 14.04.034 etc.



L = 5, 6, 8, 11, 13 or 19 mm



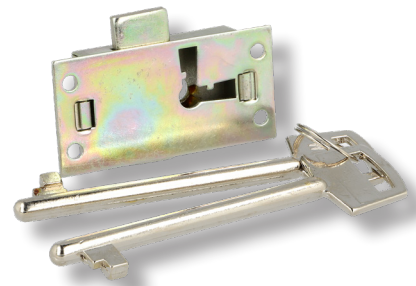
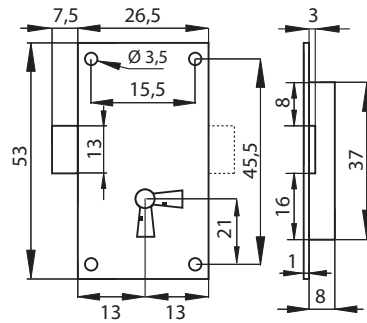
L = 500 or 700 mm



CUPBOARD LOCK "AFRIC"

Yellow zinc plated, double handed
2 lever = 10 differs
Each lock supplied
2 neutral zamak keys
For vertical + horizontal use

Item No.: # 14.06.145



BOX LOCK No. 2110 - 15 mm backset

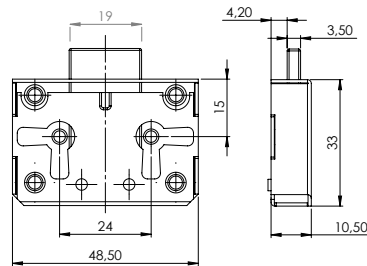
Universal for right/left or draw

Locking system:

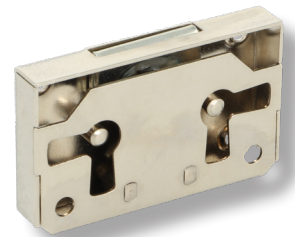
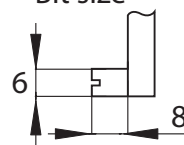
For eurobit key - 1 lever key
no differs

Item No.:

Nickel Pl. #14.06.212
Brass Pl. #14.06.213
Bronze Pl. #14.06.214



Bit size



BOX LOCK No. 2110 - 20 mm backset

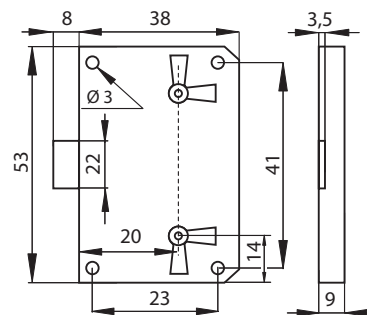
Universal for right/left or draw

Locking system:

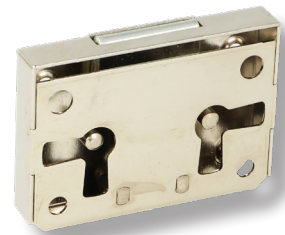
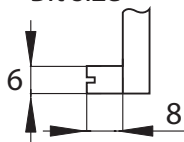
For eurobit key - 1 lever key
no differs

Item No.:

Nickel Pl. #14.06.216
Brass Pl. #14.06.217



Bit size



BOX LOCK No. 2110 - 25 mm backset

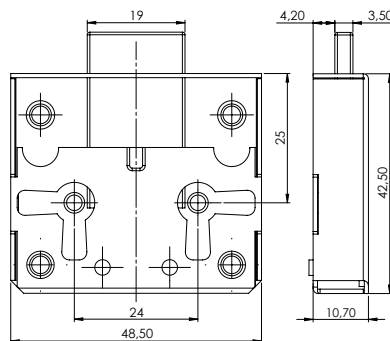
Universal for right/left or draw

Locking system:

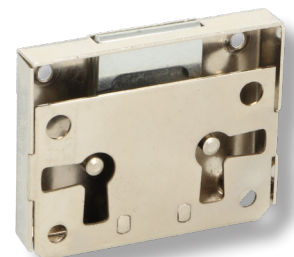
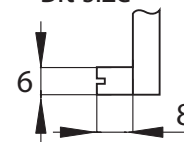
For eurobit key - 1 lever key
no differs

Item No.:

Nickel Pl. #14.06.235
Brass Pl. #14.06.237



Bit size



BOX LOCK No. 2110 - 30 mm backset

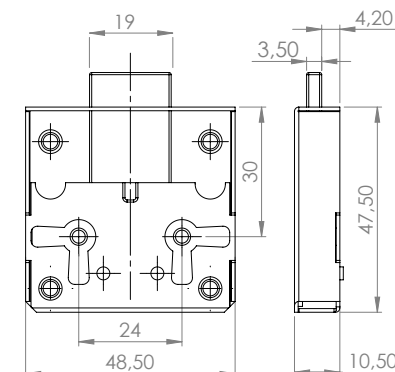
Universal for right/left or draw

Locking system:

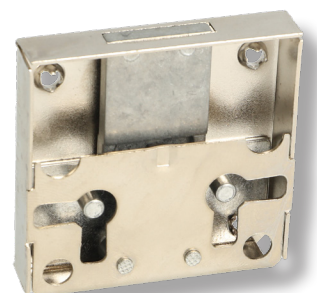
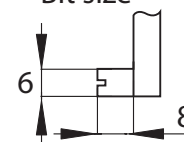
For eurobit key - 1 lever key
no differs

Item No.:

Nickel Pl. #14.06.245
Brass Pl. #14.06.246



Bit size



MORTISE LOCKS

Application:

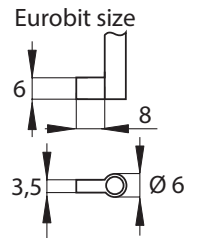
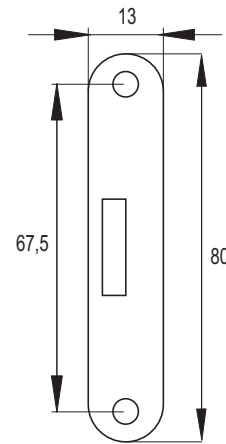
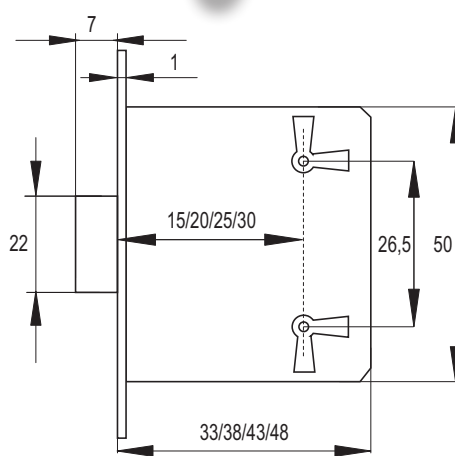
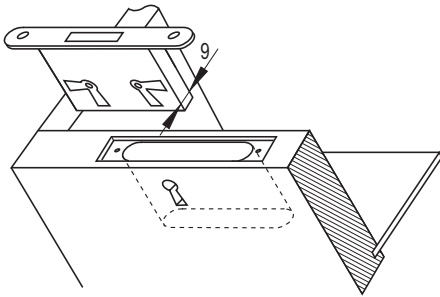
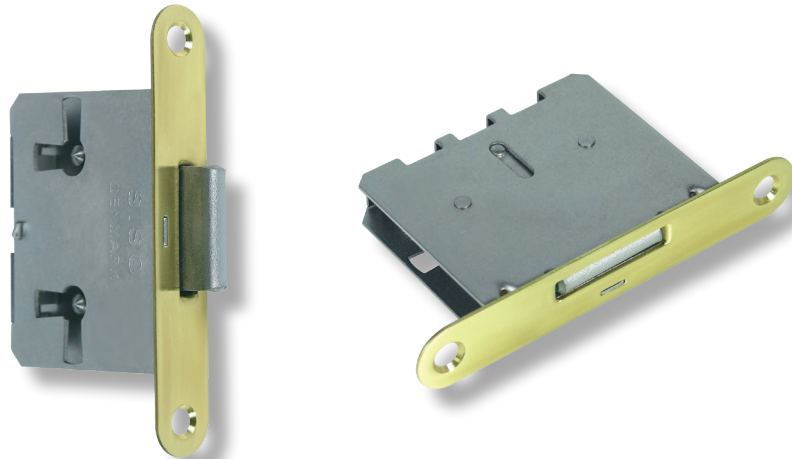
Universal left, right and draw

Specification:

For eurobit key - 1 lever key
 Lock made of plain steel
 Rounded front plate made of brass
 Key alike
 From 15 to 30 mm backset

Item No.:

- 15 mm backset # 14.06.028
- 20 mm backset # 14.06.029
- 25 mm backset # 14.06.030
- 30 mm backset # 14.06.035



MORTISE CHEST LOCKS

MORTISE CHEST LOCK
 - 20 mm backset

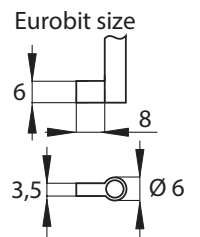
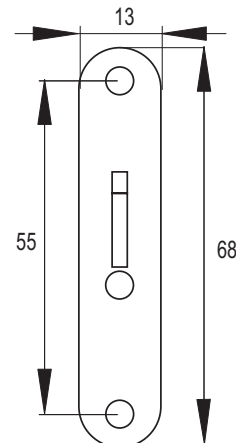
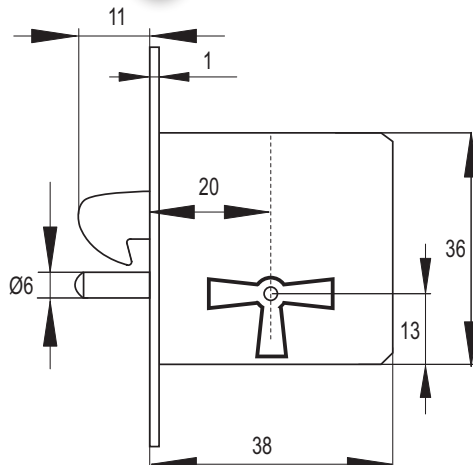
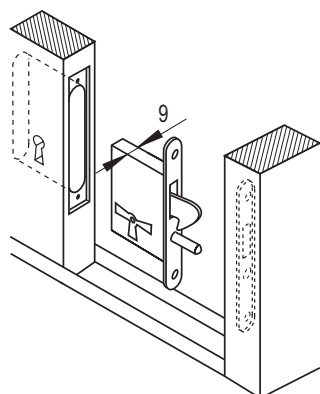
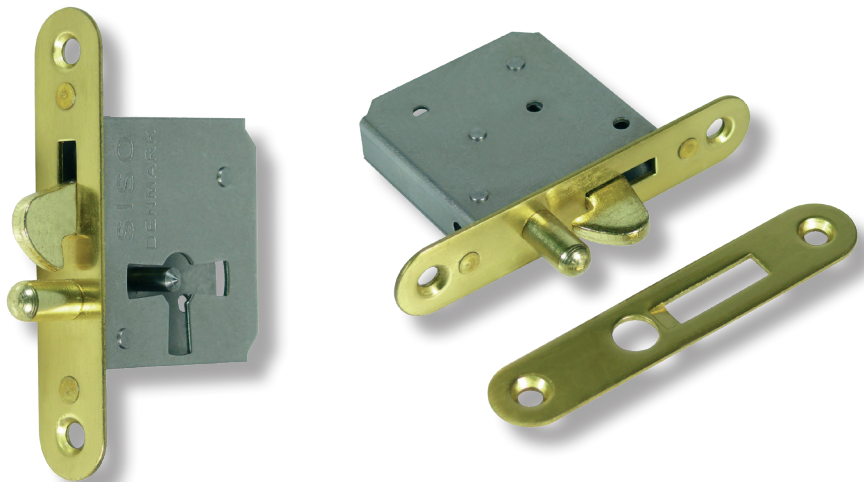
Function:

Right hand and draw position
 Front plate + striking plate brass
 rounded
 Lock body steel plain

Locking system:

For eurobit key - 1 lever key
 Key alike

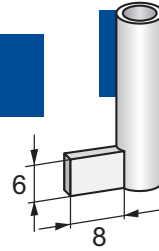
Item No.: # 14.06.064



MODEL 7771 - effective shaft lengths 40 mm
Zamak, nickel plated, brass plated and bronze plated



Item No.:
14.10.055 etc.



ALL KEYS SUPPLIED EUROBIT...
for 1 lever locks only

MODEL 9512 - effective shaft lengths 35 mm
Zamak, nickel plated, brass plated, bronze plated and chrome plated



Item No.:
14.10.200 etc.

MODEL 7772 - effective shaft lengths 35 mm
Zamak, nickel plated, brass plated and bronze plated



Item No.:
14.10.050 etc.

MODEL "MMI" - beech or maple wooden head, effective shaft lengths 35 mm
Zamak, matt nickel plated



Item No.:
14.10.060 etc.

MODEL 0007 - effective shaft lengths 35 mm
Zamak, nickel plated, brass plated and bronze plated



Item No.:
14.10.240 etc.

MODEL 7170 - effective shaft lengths 35 mm
Zamak, nickel plated, brass plated and bronze plated



Item No.:
14.10.210 etc.

MODEL K-1026 - effective shaft lengths 42 mm
Zamak, nickel plated and brass plated



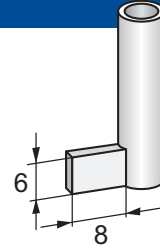
Item No.:
14.10.080 etc.

MODEL "LYRE" - effective shaft lengths 45 mm
Zamak brass plated and bronze plated



Item No.:
14.10.170 etc.

ALL KEYS SUPPLIED EUROBIT...
for 1 lever locks only



MODEL 1028 - effective shaft lengths 18 mm
Zamak, nickel plated, brass plated and bronze plated



Item No.:
14.10.070 etc.

MODEL "REGENCY"
Zamak, nickel plated, brass plated and bronze plated



Item No.:
14.10.218 etc.

MODEL "ROCOCO" - effective shaft lengths 40 mm
Zamak, nickel plated, brass plated and bronze plated



Item No.:
14.10.206 etc.

MODEL "DIMINUTIVE" - effective shaft lengths 35 mm
Zamak bronze plated. Other finish upon request

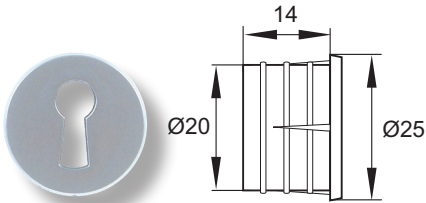


Item No.:
14.10.046

PLASTIC ROUND Nickel Plated Matt

Front \varnothing 25 mm - knock in 20 mm \varnothing x 14 mm

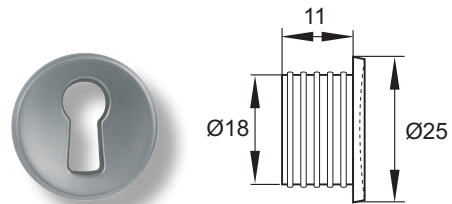
Item No.: # 14.11.040



ZAMAK ROUND Nickel Plated Matt

Front \varnothing 25 mm - knock in 18 mm \varnothing x 14 mm

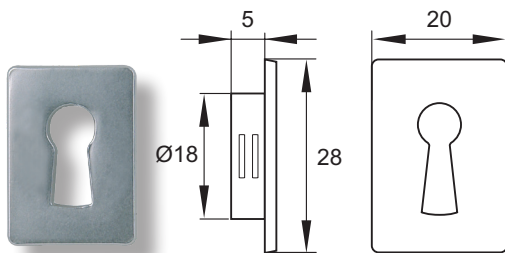
Item No.: # 14.11.041



PLASTIC RECTANGULAR Nickel Plated Matt

Front 20 x 28 mm - knock in 20 mm \varnothing x 5 mm

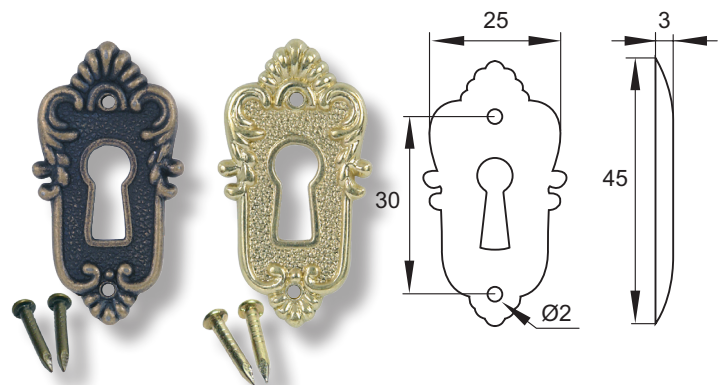
Item No.: # 14.11.061



ZAMAK ANTIQUE Nail On Type Bronze or Brass Plated

Front 25 x 45 mm

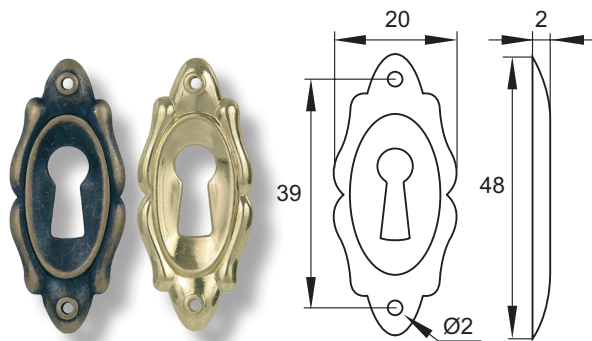
Item No.: # 14.11.170 etc.



ZAMAK OVAL Nail On Type Bronze or Brass Plated

Front 20 x 48 mm

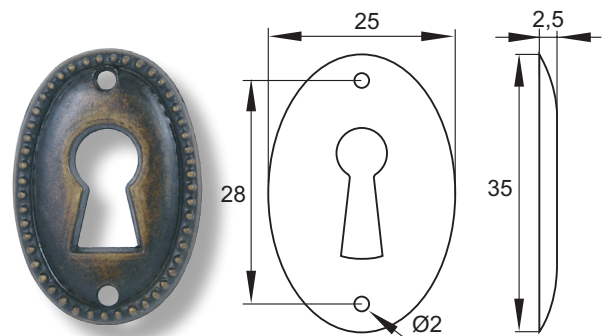
Item No.: # 14.11.150 etc.



MODEL No. 7891

Front 25 x 35 mm

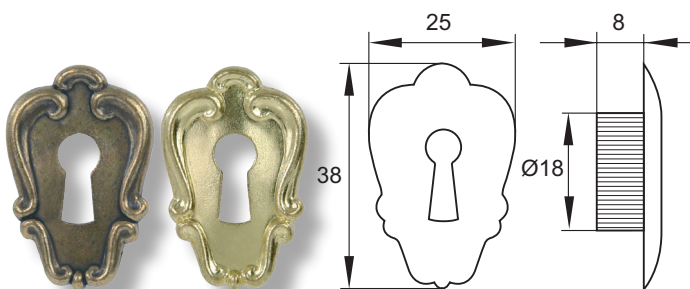
Item No.: # 14.11.205



ZAMAK ANTIQUE Bronze or Brass Plated

Front 25 x 38 mm - knock in 18 mm \varnothing x 8 mm

Item No.: # 14.11.180 etc.



Application:

Wardrobes, lockers, cabinets and others

Accessories one set:

- 1 lock right or left handed 16,5 or 19 mm cyl. diam
- 1 rosette
- 2 SISO car keys
- 2 hooks and holders top and bottom
- 2 bar guides
- 2 stoppers either eccentric or triangular

Locking bars to be ordered separately
Available in lengths of 1000, 1200, 1500 and 2000 mm in nickel plated, brass plated and bronze plated

Function:

Turn key and locking bars will rotate. Hooks will move behind the stops. Cam extend from the lock case and door will be locked at 3 points

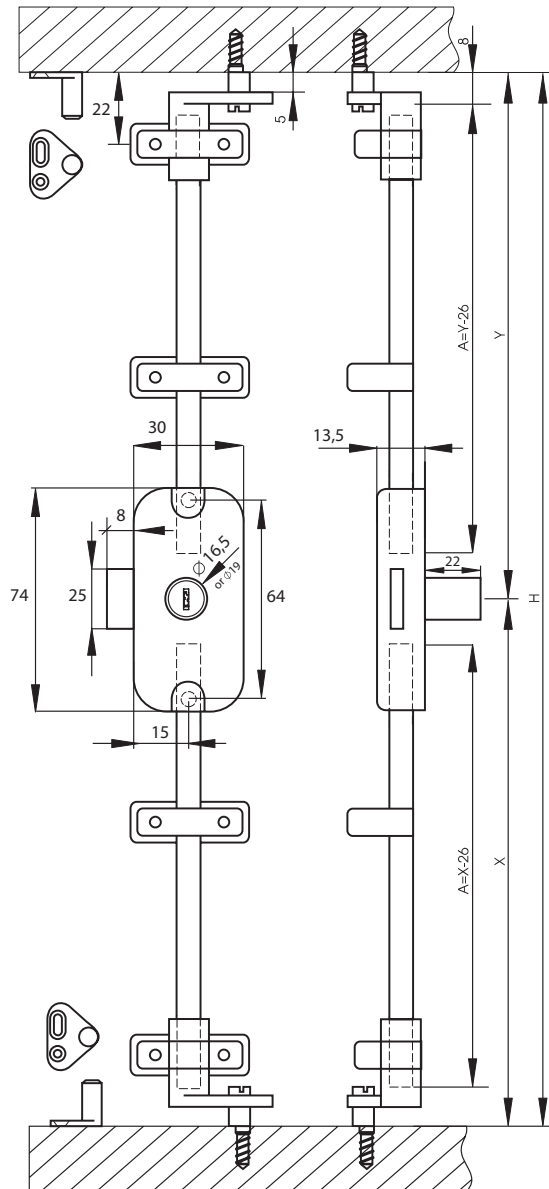
Specification:

- 400 different key combinations or key alike
- 15 mm backset
- 25 mm backset on request
- Master key & Interchangeable system available on request

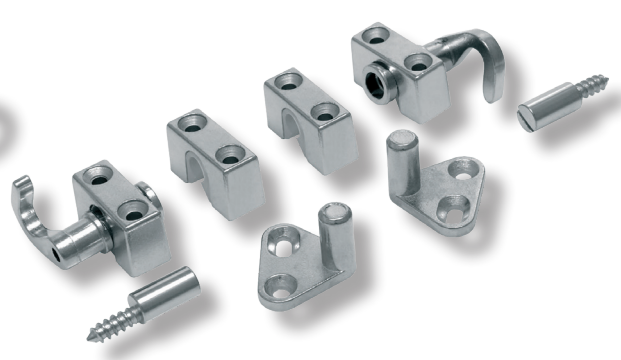
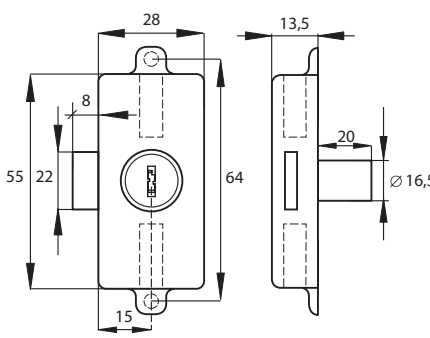
Finish:

Zamak body in nickel plated, aluminium finish or black zinc
Plastic body in burgundy or black

Item No.: # 14.05.268 etc.



LOCK NO. H-922
Item No.: # 14.05.284 etc.



PASQUIL LOCK NO. 7080 - EXTENTION BARS LOCK



Application:

Heave duty drawers, windows doors, wardrobes and cabinets

Accessories one set:

- 1 lock \varnothing 19 x 22 mm
- 1 rosette
- 4 bar guides
- 2 sockets
- 2 SISO car keys

Locking bars to be ordered separately
Available in lenghts of 1000, 1200
and 2000 mm in nickel plated

Option:

16,5 mm cyl. diam. and longer
cyl. lenghts

Function:

Turn key 180° and locking bars
extend up and down 9 mm
to lock and unlock

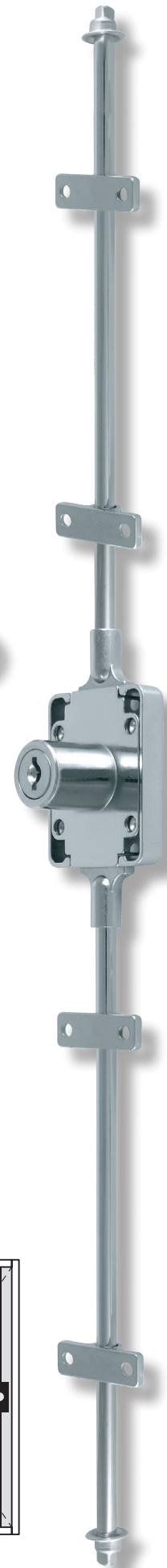
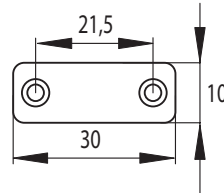
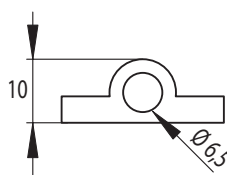
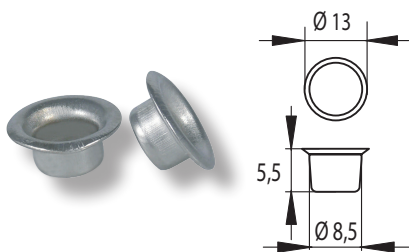
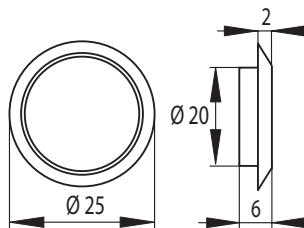
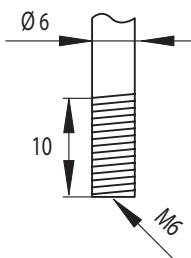
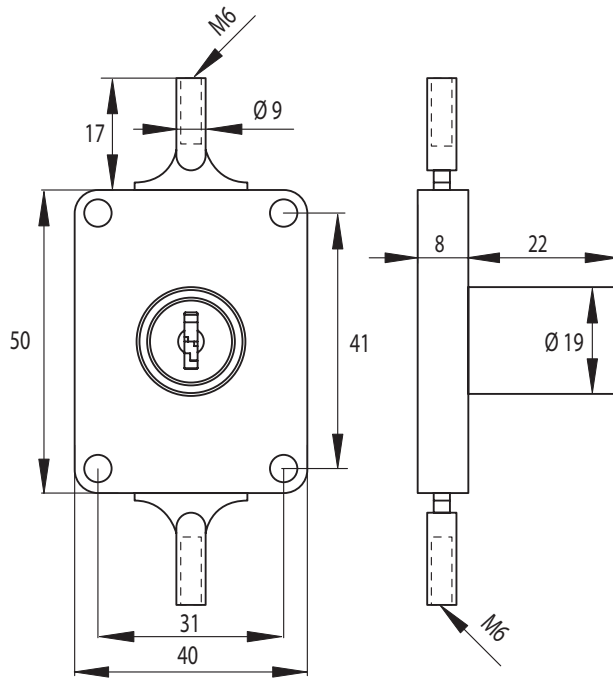
Specification:

400 different key combinations
or kay alike
Locking bars available
in 1000, 1200, 2000 mm lenghts
from stock
Other lenghts upon request
Master Key system available
on request

Finish:

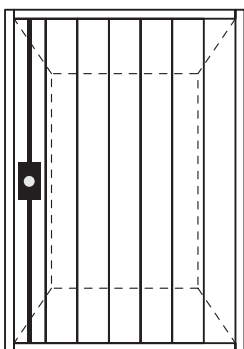
Nickel plated

Item No.: # 14.05.300 etc.

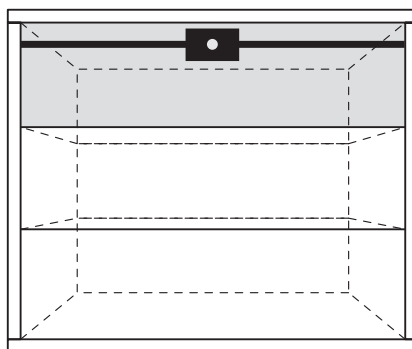


Application

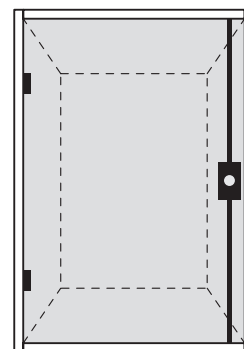
Shutter doors



Heavy duty drawers



Wardrobes



Description:

Pasquil cabinet lock 844
out bar but accessories

Finish:

Black coated
or antique bronze, YZP for locking bar

Item No:

Black coated

Pasquil cabinet lock # 14.05.551
Locking bar 1500 mm # 14.05.560-5

Antique bronze

Pasquil cabinet lock # 14.05.550
Locking bar 1500mm # 14.05.560-0

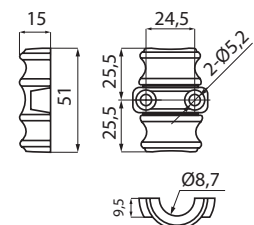
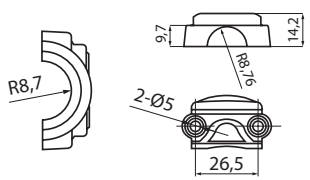
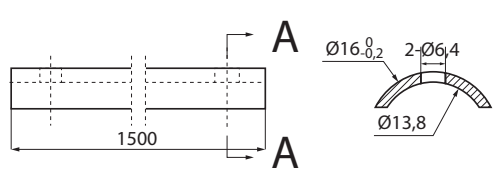
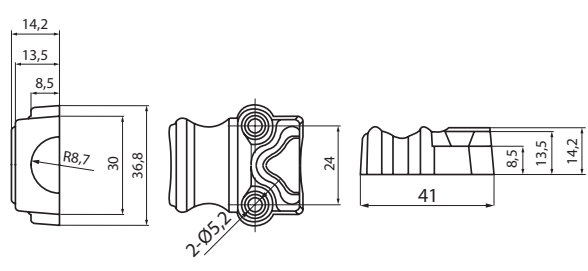
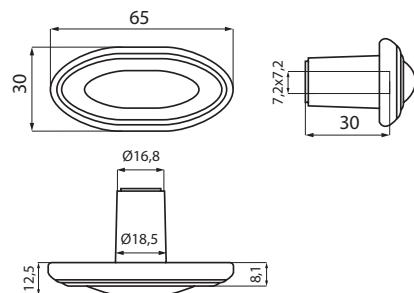
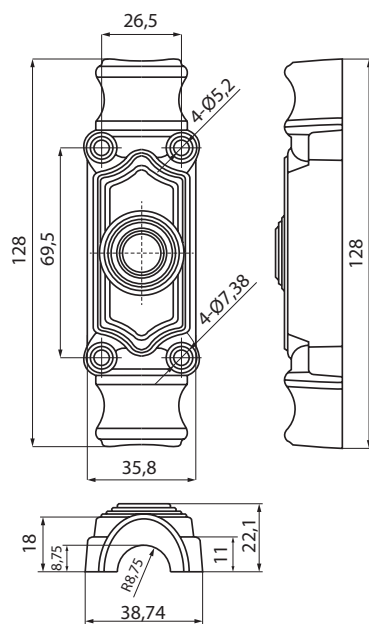
Black coated



Antique bronze



Yellow zinc plated



Application:

Steel drawers, cabinets, lockers
Snap in fixing
Maximum panel thickness 2 mm

Accessories for one set:

1 lock
1 cam No. 27
2 SISO car keys

Function:

Turn key 90° or 180° to lock/unlock

Option:

Other cam style/size
Other rotation angle

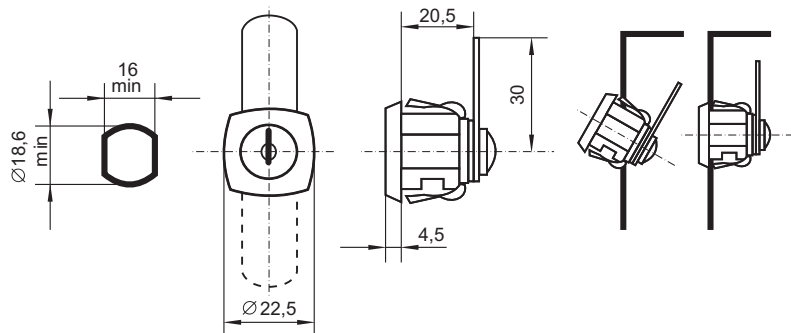
Specification:

Zamak lock body & cylinder
Steel spring clip, cam & keys
400 key combinations
Master Key system available on request

Finish:

Chrome plated

Item No.: # 14.08.070 etc.



CENTRAL LOCK NO. 44D F/METAL FURNITURE

Application:

Multi drawer pedestal
Filing cabinets
Snap in fixing
Maximum panel thickness 2 mm

Accessories for one set:

1 lock
2 SISO car keys

Function:

Turn key 180° to move self made locking bar to lock/unlock any number of drawers

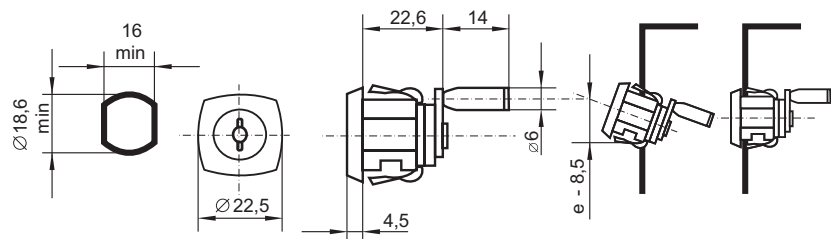
Specification:

Zamak lock body & cylinder
Steel spring clip, cam & keys
400 key combinations
Master Key system available on request

Finish:

Chrome plated

Item No.: # 14.08.090 etc.



T-HANDLE #1822 (Front mounted)

Application:

For steel cabinets, garage doors, lockers, wardrobes & vehicles

Accessories for one set:

- 1 lock handle
- 2 SISO car key

Function:

90° turn
Turn key to lock handle in closed position

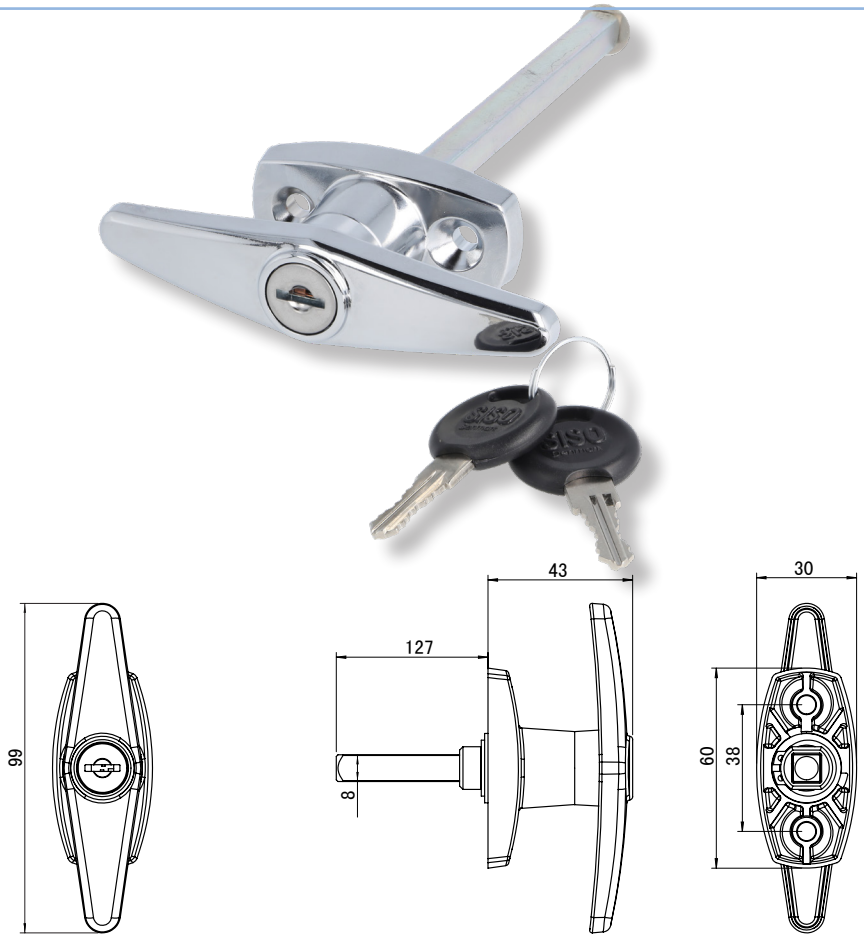
Specifications:

Zamak lock body, handle & cylinder
Steel cam & keys
400 Key combinations or key alike

Finish:

Chrome plated

Item No.: # 14.08.052



T-HANDLE #1821 (Back mounted)

Application:

For steel cabinets, garage doors, lockers, wardrobes & vehicles

Accessories for one set:

- 1 lock handle
- 2 SISO car key

Function:

90° turn
Turn key to lock handle in closed position

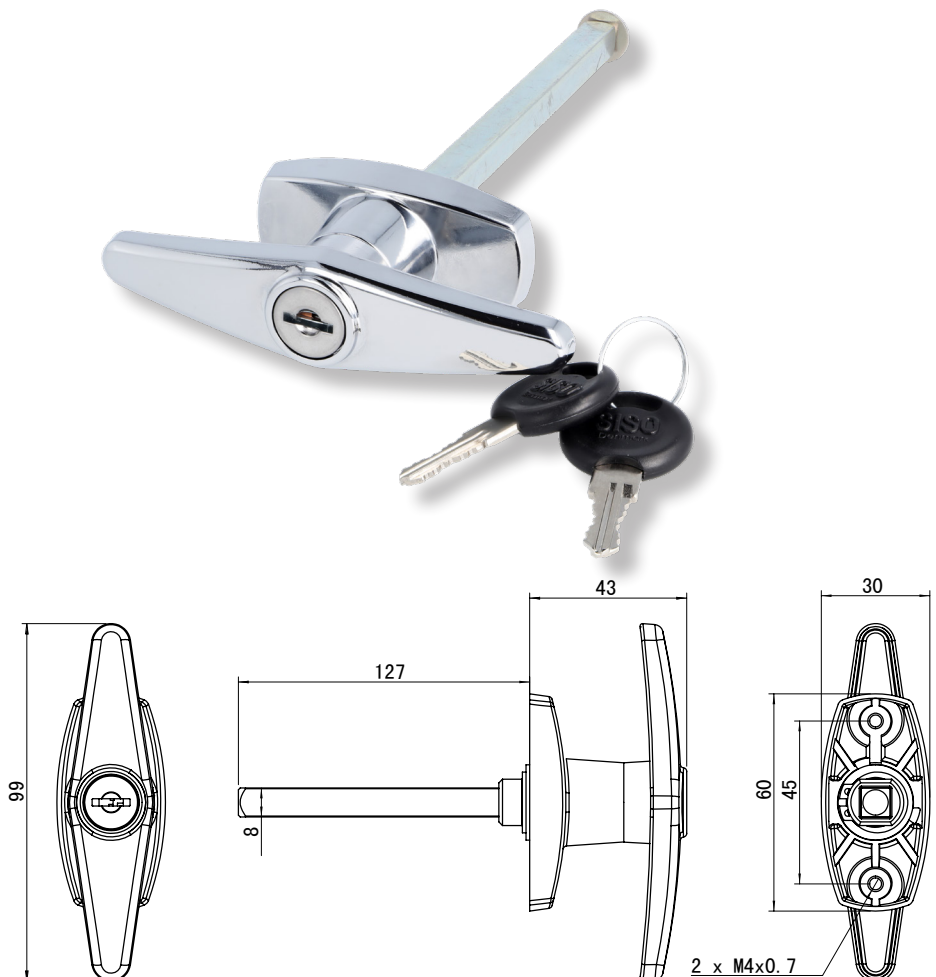
Specifications:

Zamak lock body, handle & cylinder
Steel cam & keys
400 Key combinations or key alike

Finish:

Chrome plated

Item No.: # 14.08.054



T-HANDLE NO. T-44

Application:

Steel cabinets, lockers, wardrobes, vehicles

Accessories for one set:

- 1 lock handle
- 1 cam plate
- 1 back plate
- 2 SISO car keys
- Mounting screws

Function:

Turn handle 90° to lock/open.
turn key to lock handle in closed position
Can be applied self made pasquil bars for 3-way locking

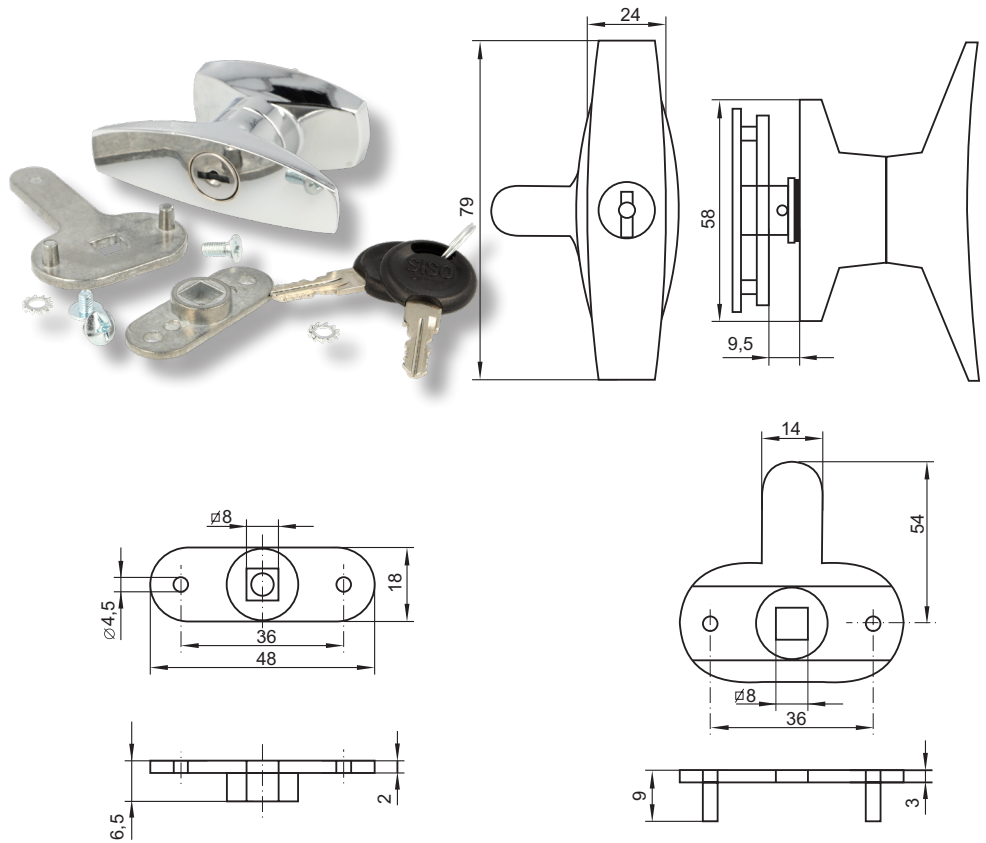
Specification:

Zamak lock body, handle & cylinder
Steel cam & keys
400 key combinations or key alike
Master Key system available on request

Finish:

Chrome plated

Item No.: # 14.08.055



T-HANDLE NO. 177

Application:

Steel cabinets, lockers, wardrobes, vehicles

Accessories for one set:

- 1 lock handle
- 2 SISO car keys

Function:

Turn handle 90° To lock/open.
Turn key to lock handle in closed position
Can be applied self made pasquil bars for 3-way locking

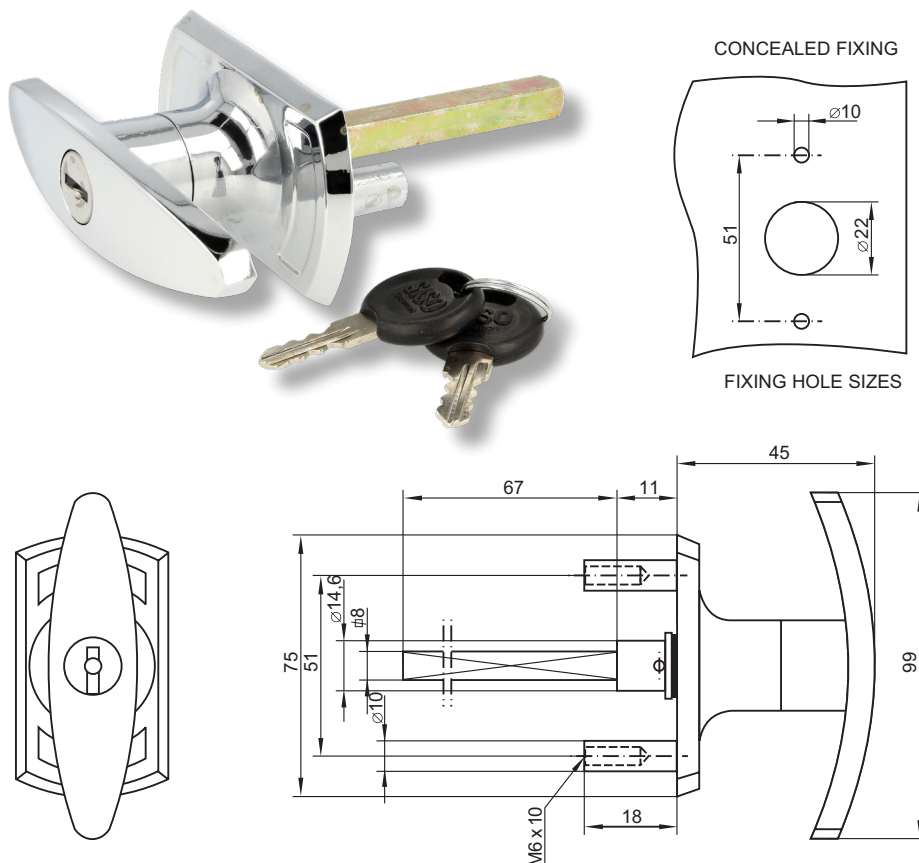
Specification:

Zamak lock body, handle & cylinder
Steel cam & keys
400 key combinations or key alike
Master Key system available on request

Finish:

Chrome plated

Item No.: # 14.08.056



Application:

Steel cabinets, lockers, wardrobes, vehicles

Accessories for one set:

- 1 lock handle
- 1 cam plate
- 1 back plate
- 2 SISO car keys
- Mounting screws

Function:

Turn handle 90° to lock/open, turn key to lock handle in closed position

Can be applied for 3-way locking self made pasquil bars

Specification:

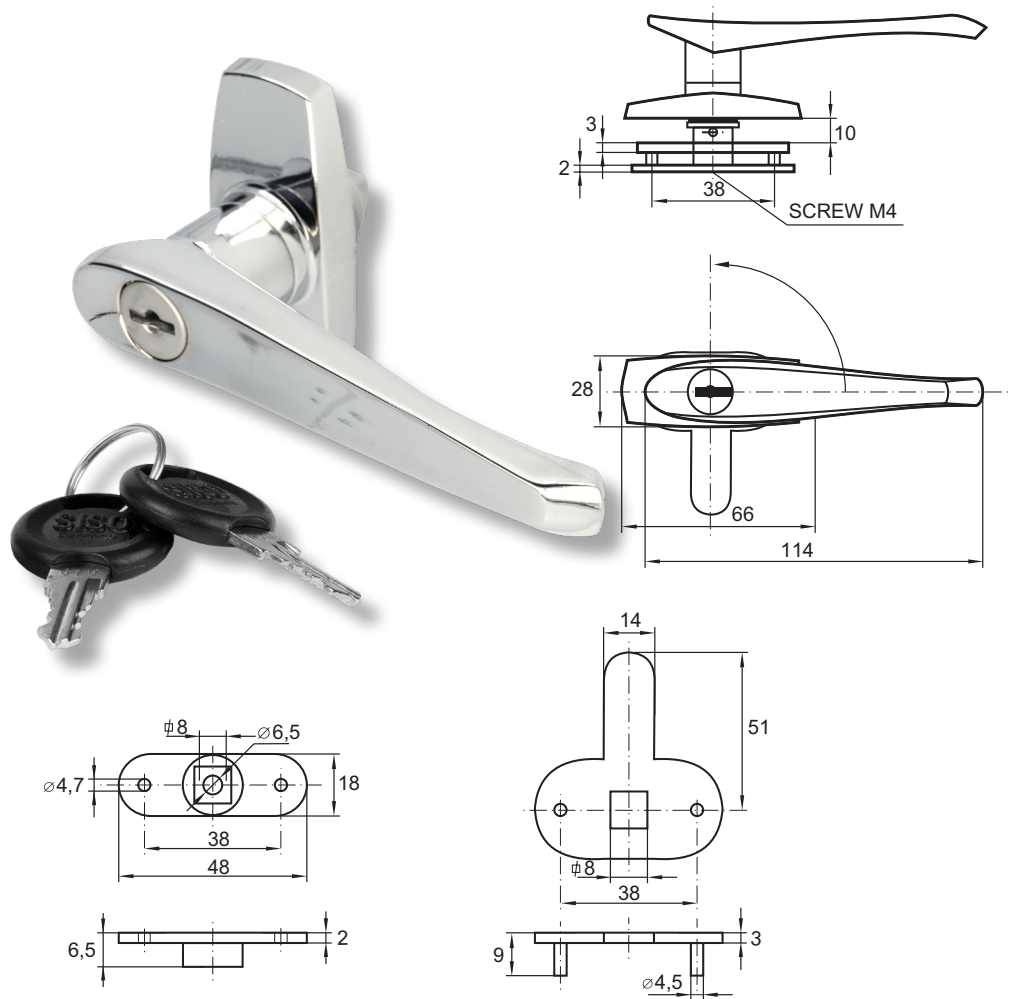
Zamak lock body, handle & cylinder
Steel cam & keys
400 key combinations
Master Key system available on request

Finish:

Chrome plated

Item No.:

- Key to differ # 14.08.036
- Key alike # 14.08.037



LOCKER HANDLE NO. 8813

Application:

Steel cabinets, lockers and wardrobes
Easy snap on mounting
No screws required

Function:

Turn handle 90° to lock/open
Turn key to lock handle when in closed position
Can be applied self made Pasquil bars as 3-way locking system

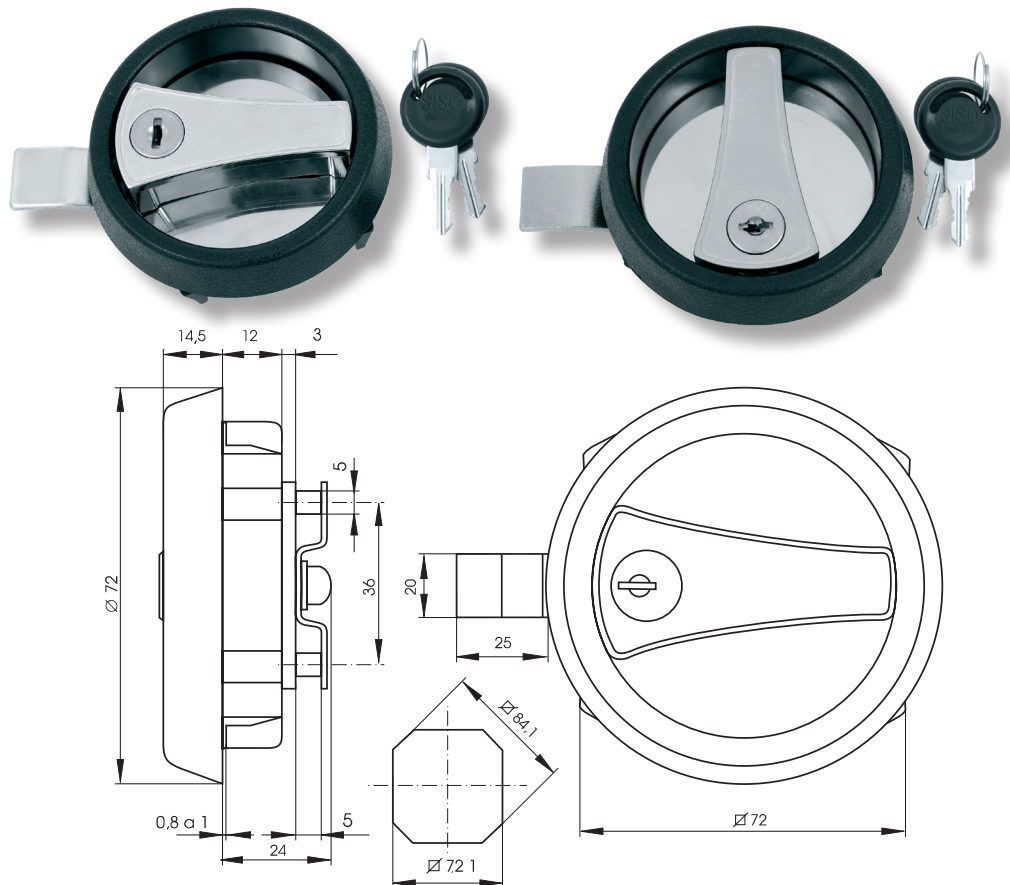
Specification:

Black plastic house
Zamak handle and lock
Keys, cam - steel
400 key combinations or key alike
Master Key system available on request

Finish:

Handle & back plate in chrome plated or handle in aluminium finish and chrome back plate

Item No.: # 14.08.021 etc.



Application:

Steel cabinets, lockers & wardrobes

Function:

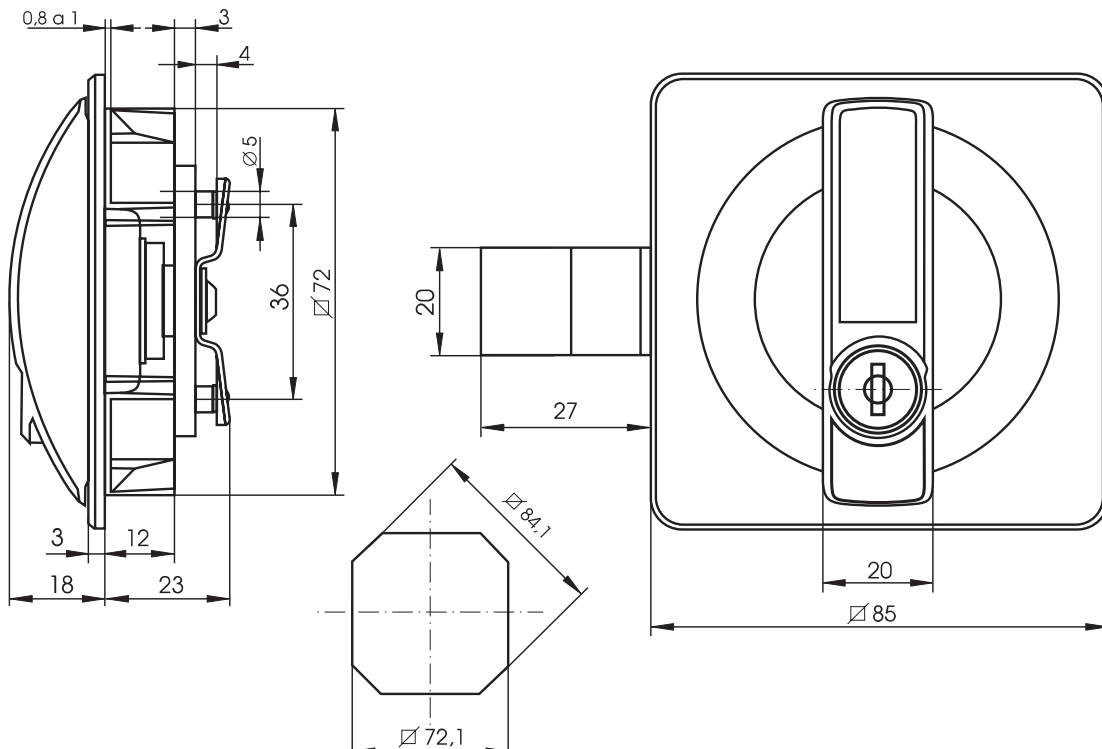
Easy snap on mounting
 Turn handle 90 degree to lock/open
 Turn key to lock handle when in closed position

Specifications:

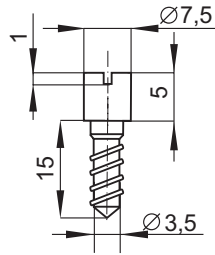
Black plastic housing
 Zamak handle & lock
 Steel keys & cam
 400 key combinations or key alike
 Master key system #J11

Item No.:

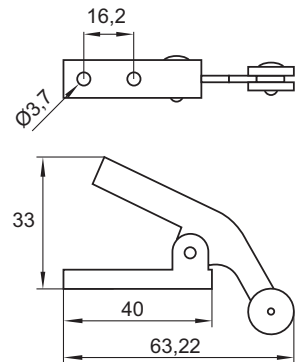
Black body & handle # 14.08.019
 Black body & alu handle # 14.08.023



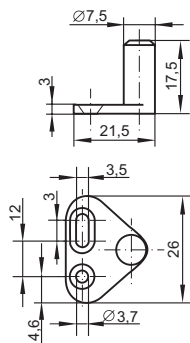
Screw On Stop
centric 5 mm height head
No. # 14.05.875



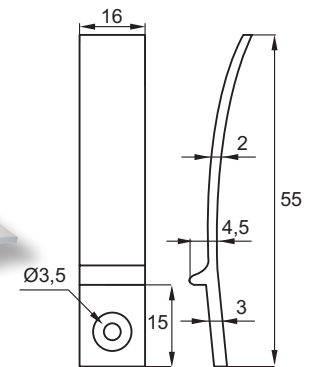
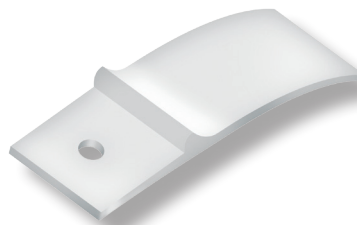
No. # 22.01.019
Automatic Hook Latch
for double door use



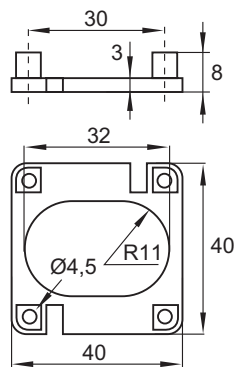
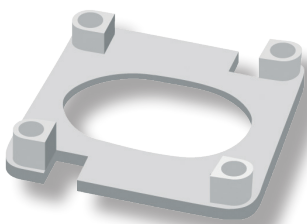
Triangular Locking Bolt
for Espagnolette Lock
No. # 14.05.745 Nickel Plated



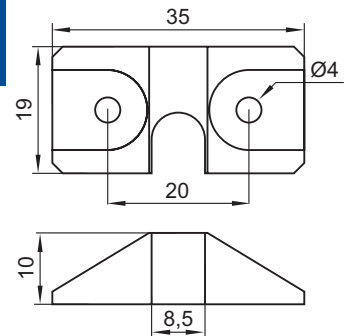
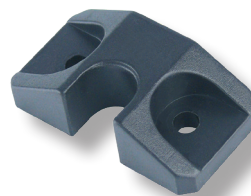
Plastic Drawer Stop
No. # 14.02.000



Plastic Spacer
for Lock 850
Transparent Colour
No. # 14.01.091

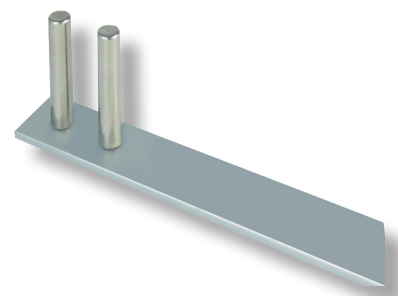
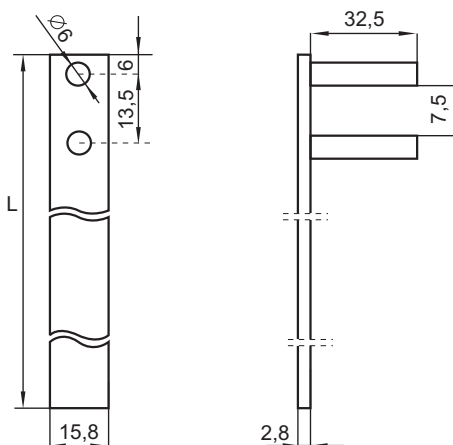


Plastic Drawer Stop
for Central Locks
Black cc 20 mm
No. # 14.02.010

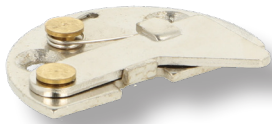
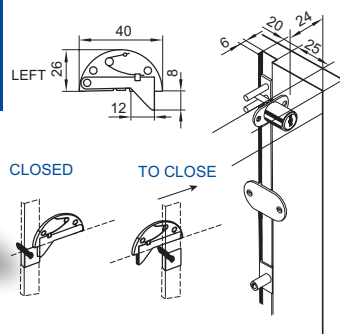


Locking Bar
for Lock 1018

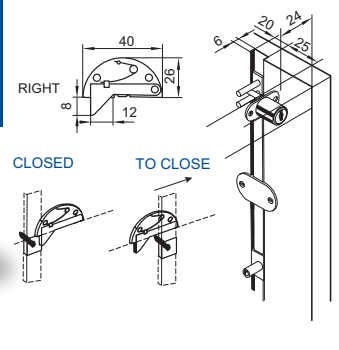
- # 14.04.181 L - 500 mm
- # 14.04.185 L - 600 mm
- # 14.04.190 L - 700 mm
- # 14.04.200 L - 800 mm
- # 14.04.221 L - 1200 mm
- # 14.04.230 L - 1300 mm



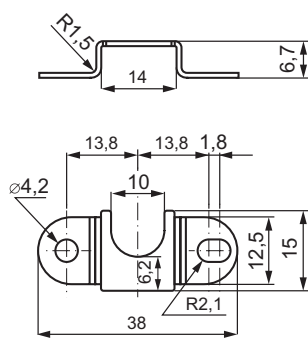
Drawer Stop 913 - A
No. # 14.02.030 Left Hand



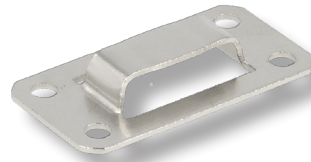
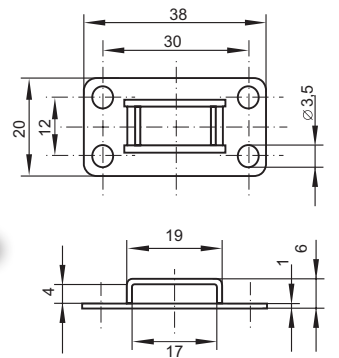
Drawer Stop 913 - A
No. # 14.02.020 Right Hand



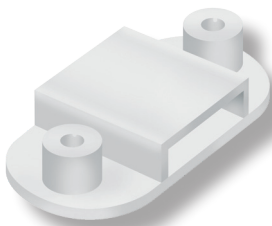
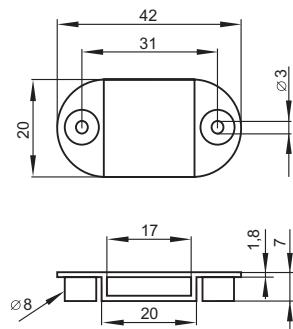
No. # 14.02.011
Metal Drawer Stop
for Central Locks
on metal furniture



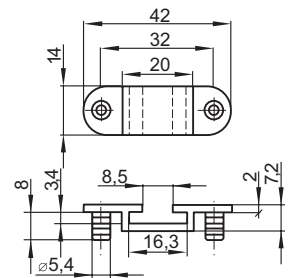
No. # 14.04.091
Metal Bar Guide
holder for locking bars



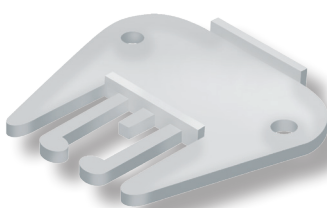
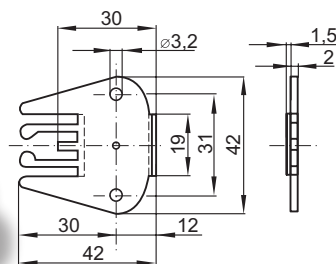
No. # 14.03.285
Plastic Bar Guide
for lay on locking bars



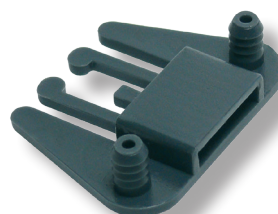
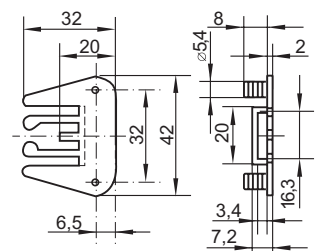
No. # 14.03.286
Plastic bar guide
dark grey
for locking bars



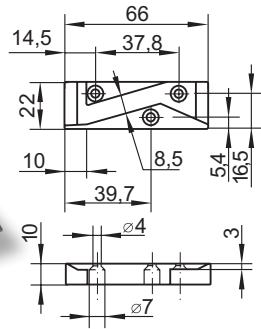
No. # 14.03.280
Plastic Bar Catch
Lyra Shaped Model 1027



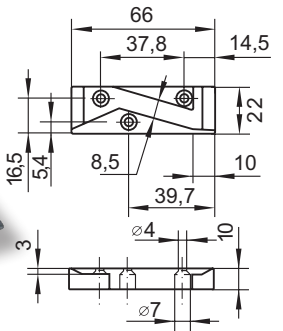
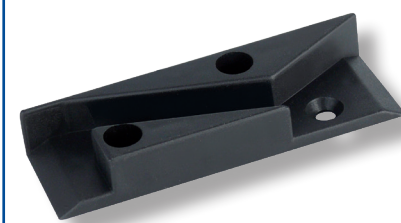
No. # 14.03.281
Plastic bar catch
dark grey
Lyra shaped model 1030



Antitilt Block Plastic Black
Model 1018.030
No. # 14.03.270 Right Hand

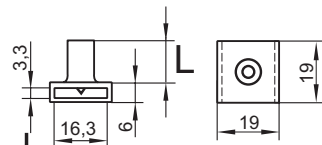
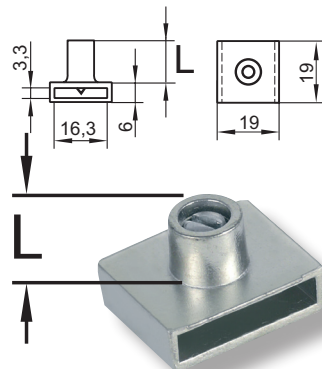


Antitilt Block Plastic Black
Model 1018.030
No. # 14.03.271 Left Hand

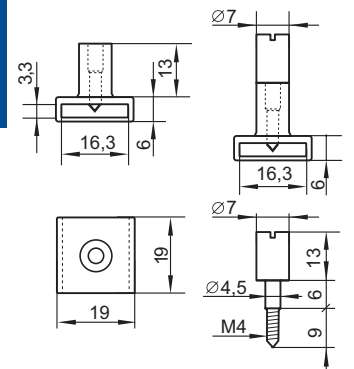
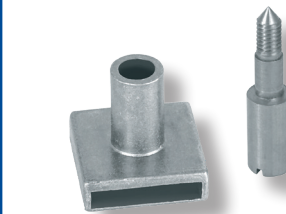


Adjustable Peg
premounted screw

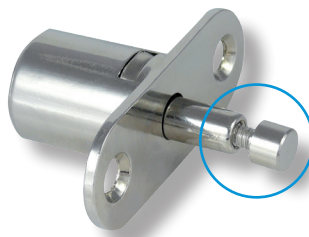
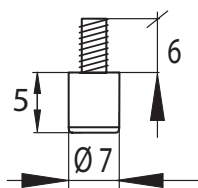
- # 14.04.309 L - 5 mm
- # 14.04.312 L - 6 mm
- # 14.04.310 L - 8 mm
- # 14.04.320 L - 11 mm
- # 14.04.330 L - 13 mm
- # 14.04.350 L - 19 mm



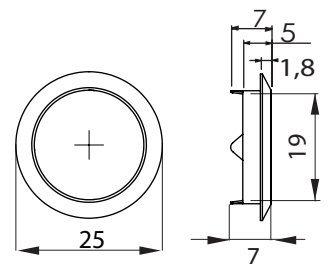
Prolongation Screw 13 mm
for adj. peg. L - 13 mm
No. # 14.04.421



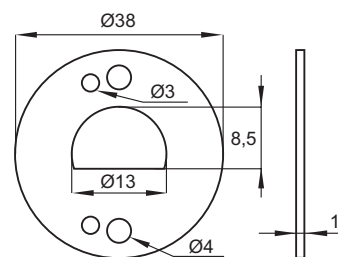
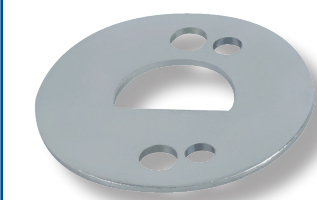
Prolongation Screw
for Push Lock 1003 and 1004
No.: 5 mm # 14.04.418
10 mm # 14.04.419
20 mm # 14.04.420



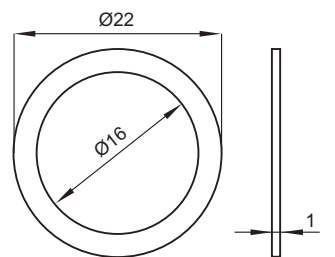
Rosette - 19 mm
Nickel Plated
No. # 14.04.300



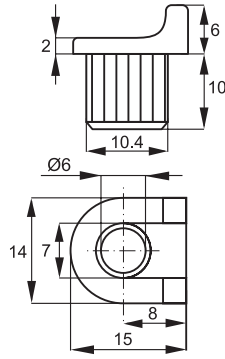
Metal Washer
for Lock 689
No. # 14.09.155



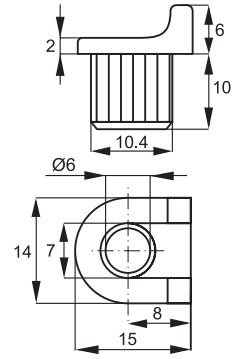
Transparent Washer
OD: 22 mm, ID: 16 mm
thickness - 1 mm
No. # 14.09.301



Knock in Pivot Stop
Zamak
for Lock 689
No. # 14.09.117



Knock in Pivot Stop
Plastic
for Lock 910
No. # 14.09.118



Blank Snake Car Key
No. # 14.04.112



Blank Hinged Car Key
FN2 KEYWAY
No. # 14.04.103



Blank Metal Key
for YALE KEYWAY
Profile Cylinders
No. # 14.04.094



Blank Metal Key
for FAB KEYWAY
Profile Cylinders
No. # 14.04.093



Blank Metal Key
round shape FN2 KEYWAY
No. # 14.04.099



Blank Car Key
double entry F01 KEYWAY
No. # 14.04.107



Blank Car Key
double entry FN2 KEYWAY
NEW
No. # 14.04.106



Blank
Transparent Flip key
No. # 14.04.102-1



Loose Cylinders F/System J#11 & J#12.
All W/SISO Hinged Car Keys.
Key to Differ or Key Alike
No. # 14.03.801 - 14.04.067



Loose Cylinders F/System #01
All with SISO Snake Keys
Key to differ for Key Alike
No.: # 14.03.300 ect.



Master key F/System #J11 & #J12

No.
#J11 # 14.04.119
#J12 # 14.04.123

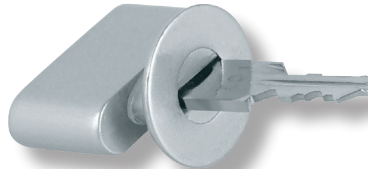
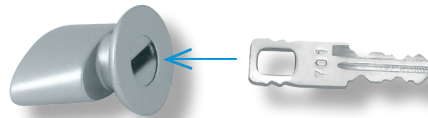


Interchangeable key F/System #J11 & #J12

No.
#J11 # 14.04.127
#J12 # 14.04.129



Short Metal Key
harpoons for knocking into decorative knobs
No. # 14.04.081



Key Knob
Zamak
Matt Chrome Finish
No. # 14.04.080



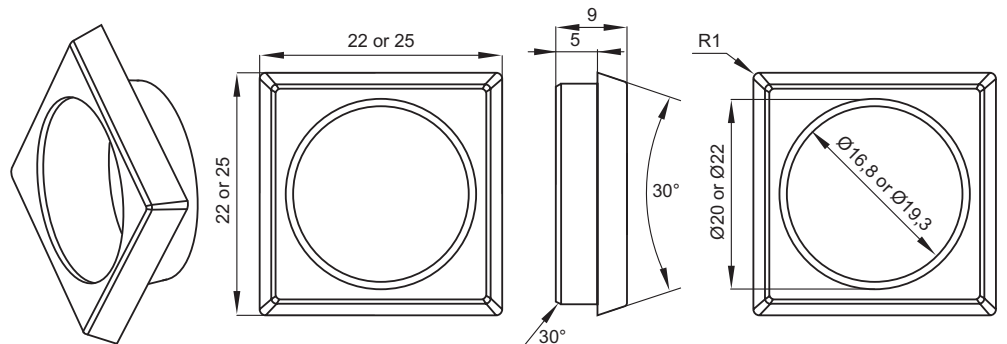
SQUARE ROSETTES

Application:
These square rosettes can be used for locks like model: 850, 1018, 1003, Espagnolette locks etc.

Specifications:
For cylinder $\varnothing 16,5$ and $\varnothing 19$ mm
Size: 22 x 22 mm or 25 x 25 mm
9 mm height

Finish:
Aluminium finish & nickel plated

Item No.:
 $\varnothing 16,5$ mm, NPL # 14.04.302
 $\varnothing 16,5$ mm, ALU # 14.04.303
 $\varnothing 19$ mm, NPL # 14.04.305
 $\varnothing 19$ mm, ALU # 14.04.306



MODEL „MINI“

Finish

Chrome plated

Application

Glass sliding door

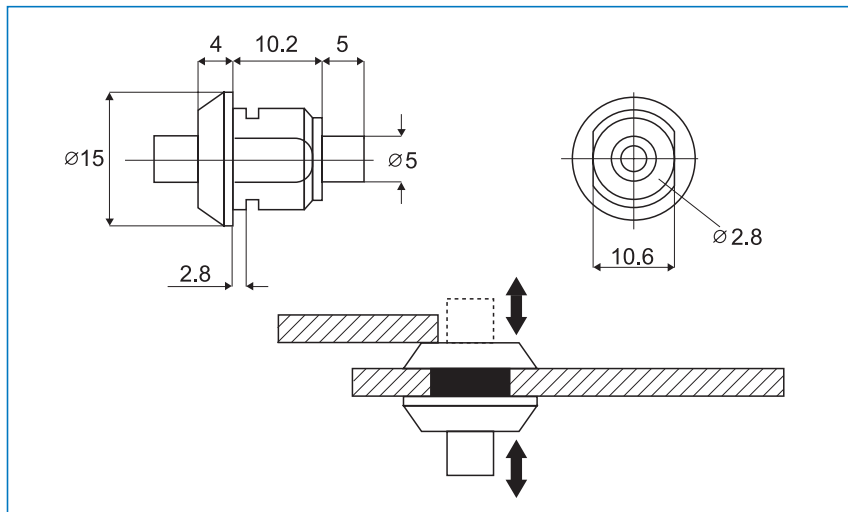
Accessories for 1 set

- 1 lock
- 2 car keys
- 1 nut

Function

to lock - push the cylinder
to unlock - turn key

- 50 key combinations # 14.03.040
- Key alike # 14.03.041



BASS GLASS DOOR LOCK "SWAN" FOR 8-10 MM GLASS

MODEL "SWAN"

Finish

- Gold plated # 14.09.000
- Chrome plated # 14.09.001

Material

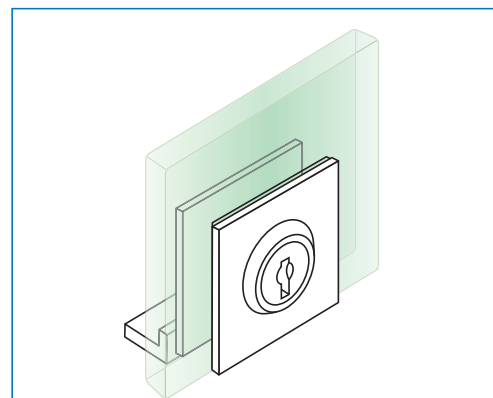
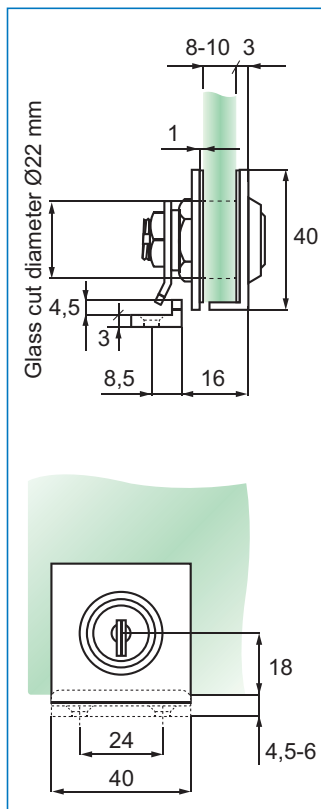
Brass

Consists of:

- 1 cylinder $\varnothing 20 \times 23$ mm
- 1 front plate w/bottom support 40 x 40 mm
- 1 back plate 40 x 40 mm
- 2 SISO metal keys, key alike
- 2 transparent cushions
- 1 hexagonal nut
- 1 off-set brass cam
- 1 raised brass striker

Function

Turn key 180° to lock or unlock



GLASS DOOR LOCK "AUDIO" - NO DRILLING



MODEL "AUDIO"

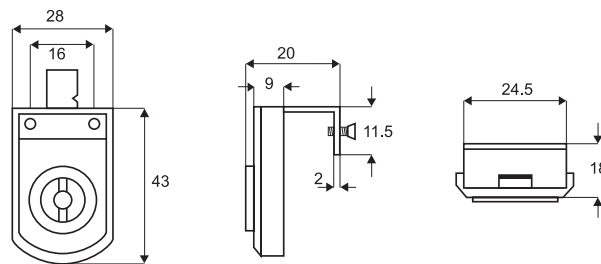
Finish
Plastic black # 14.09.256

Application
Hinged glass doors
particularly for audio/hi-fi cabinets
No boring required

Accessories for one set
1 lock
1 washer
2 screws
2 keys

Function
Turn key 180°
to lock or unlock

Specification
Plastic/metal combination
one key change only



GLASS DOOR LOCK C409 SLIDING DOORS

MODEL C409

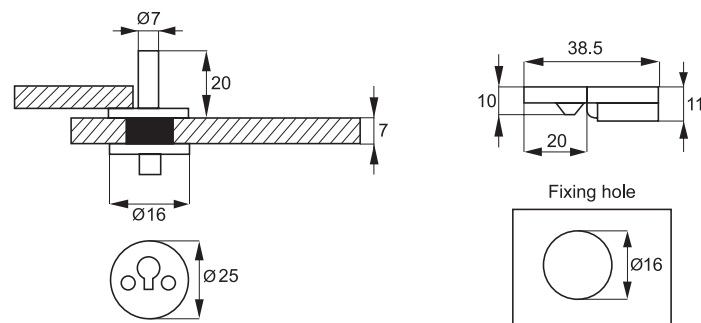
Finish:
Zamak, chrome plated

Application:
Glass sliding doors

Accessories for one set:
1 plug-in zamak cylinder
1 zamak housing (2 parts)
3 transparent PVC washers
2 steel screws
2 brass keys

Function:
Place cylinder into lock case,
turn and remove key,
key removable in locked
position only

Specification:
25 key combinations # 14.09.300
or key alike # 14.09.315

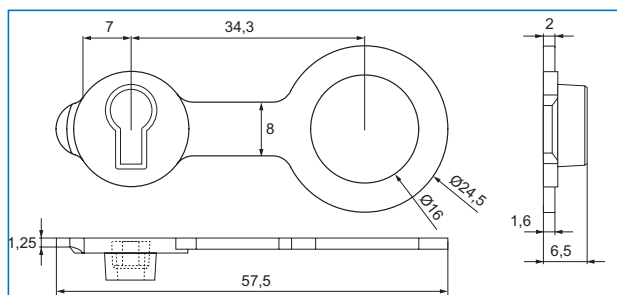


SOFT PLUG F/SLIDING DOOR LOCK C409

Application:
For lock C409 to seal the
cylinder hole when not locked.

Specifications:
Grey silicon RAL 7010

Item No.: # 14.09.303



GLASS DOOR LOCK VITRIO "M" - HINGED DOORS

MODEL "VITRIO"

Finish

Chrome plated # 14.09.350
Brass plated # 14.09.360

Application

Double hinged glass doors
Accessories for one set

- A) left door
1 decorative cylinder
1 stainless steel front plate
1 hexagonal nut
1 plastic washer
B) right door
1 off-set hook cam
1 stainless steel front plate
1 hexagonal nut
1 plastic washer
2 car keys

Function

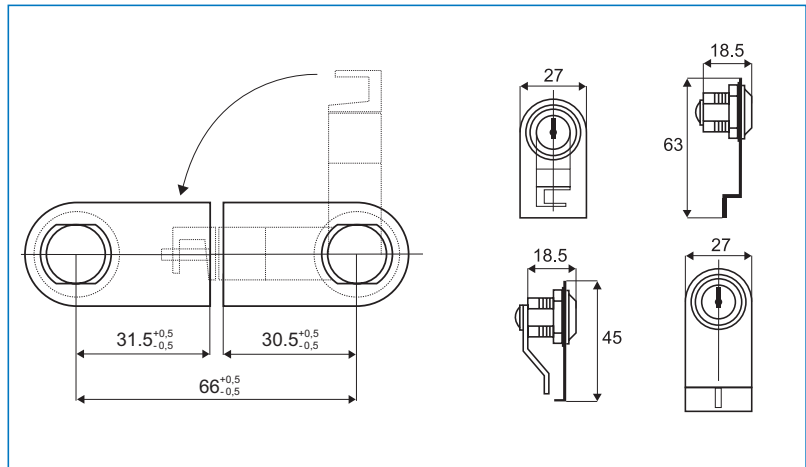
Turn key 90° to lock
or unlock

Specification

Cylinder zamak
front plates stainless steel
400 key combinations or key alike

Option

Master key system



GLASS DOOR LOCK NO. 750

Model 750

Finish:

Chrome Pl. - 100 mm - KD # 14.09.025
Chrome Pl. - 100 mm - KA # 14.09.012
Chrome Pl. - 135 mm - KD # 14.09.030
Chrome Pl. - 135 mm - KA # 14.09.013

Application:

Glass sliding doors

Accessories for one set:

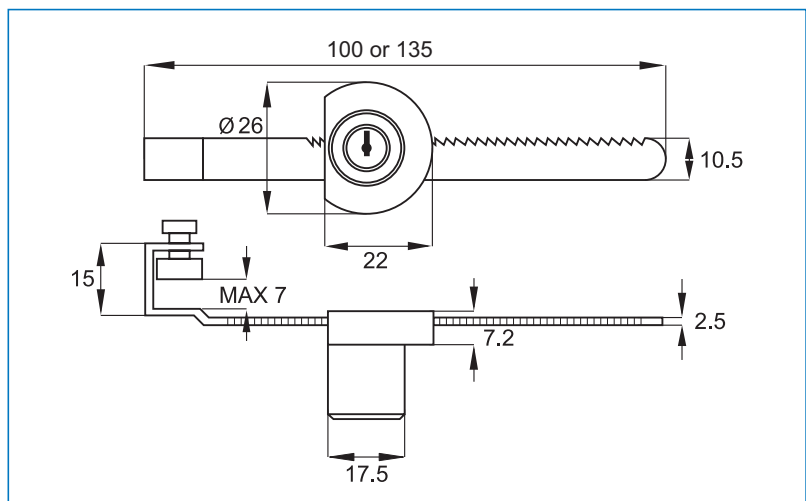
- 1 removable lock
1 ratchet 100 or 135 mm
1 screw w/protection pad
2 metal keys

Function:

Push the ratchet into the flat
end of the lock
Turn key 180° and remove key
to activate the lock

Specification:

Zamak lock body
Steel ratchet & keys
25 key combinations



PUSH BUTTON LOCK #8600 "M" F/DOUBLE SLIDING GLASS DOORS



MODEL # 8600

Finish

Chrome plated # 14.09.420
Alu finish # 14.09.423

Application

Double sliding glass doors
on alu rails

Accessories

1 lock cylinder \varnothing 22 mm
1 grub screw for fastening
2 metal keys, double entry

Function

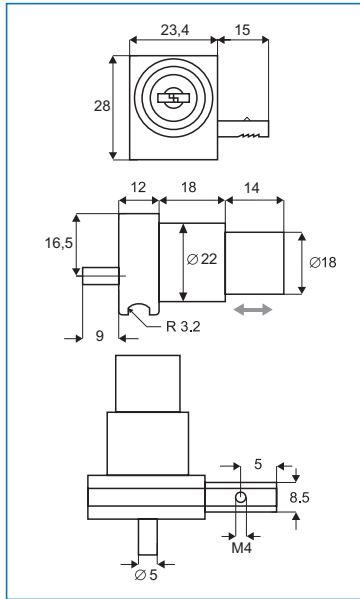
Push cylinder to lock
Turn key to unlock

Specification

Zamak house: 28 x 24 x 12 mm
400 key combinations or key alike

Option:

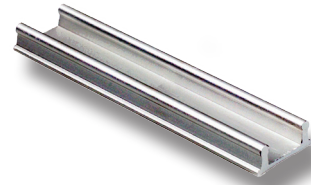
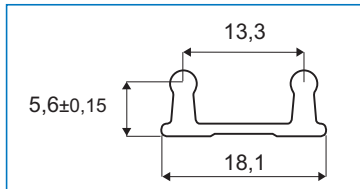
Master key



ACCESSORIES

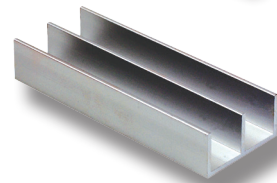
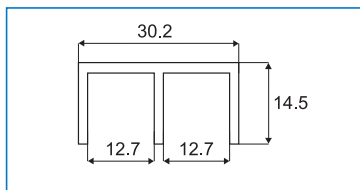
BOTTOM TRACK

Aluminium:
Anodized # 22.26.030
Standard length: 2 metres



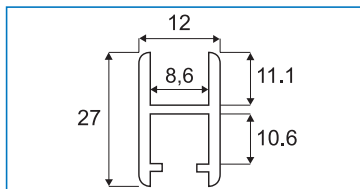
TOP E-TRACK

Aluminium:
Anodized # 22.26.010
Standard length: 2 metres



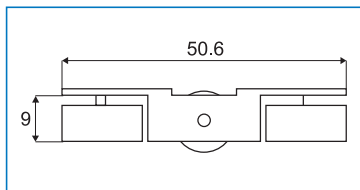
GLASS H-RAIL

Aluminium:
Anodized # 22.26.020
Standard length: 2 metres
For 5 - 6 mm glass thickness



TROLLEY

w/Nylon Wheels
Nickel plated # 22.26.040
Load capacity: 3 kg



U-SPLINE PVC

Rolls of 100 mts # 22.26.060

SILENCER

Plastic, clear
Bags of 100 pcs # 22.26.070

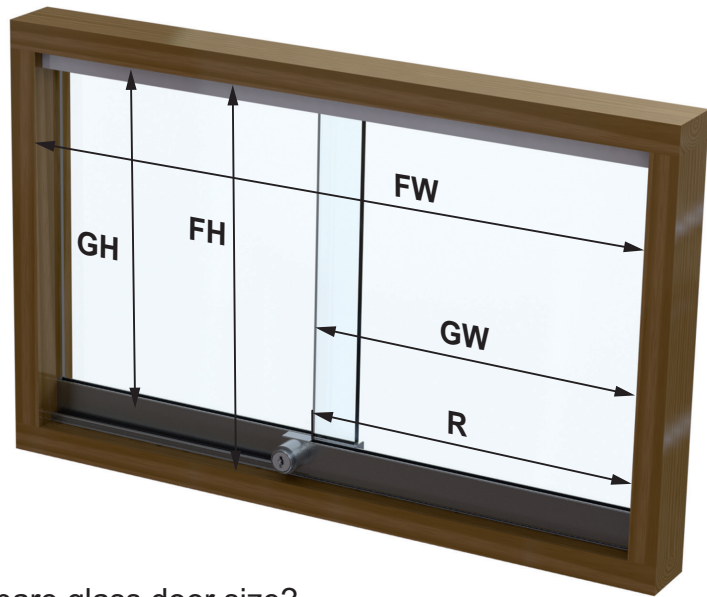
END CAP ZAMAK

Chrome plated # 22.26.050
Alu finish # 22.26.049

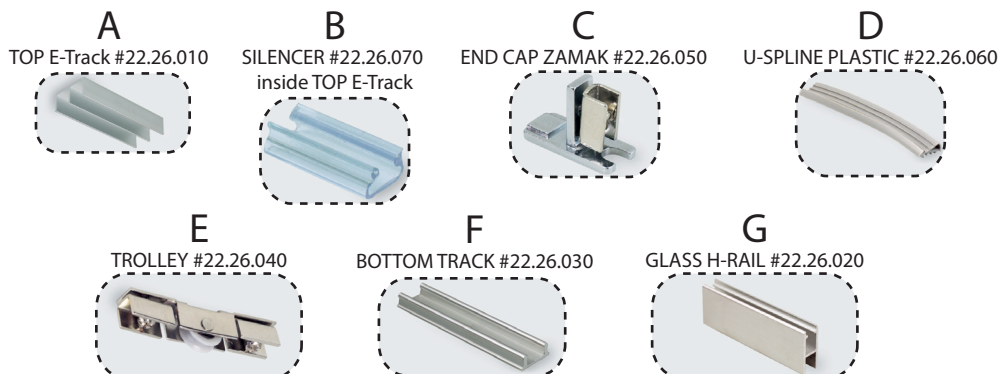
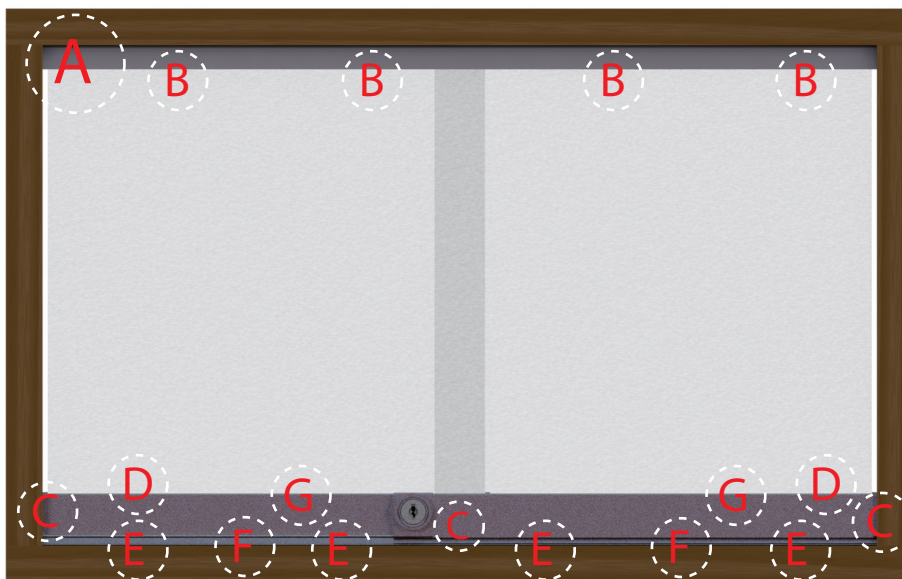
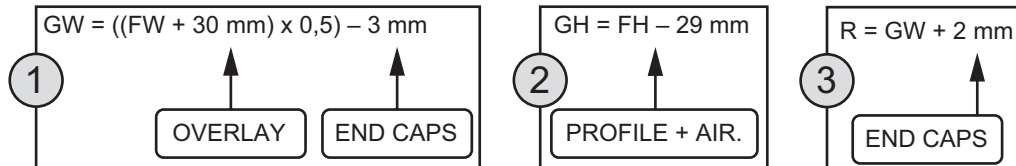


SYSTEM #8600

FW = Frame width (inside measurement)
 GW = Glass width
 FH = Frame height (inside measurement)
 GH = Glass height
 R = Rail length



How to prepare glass door size?



PUSH BUTTON LOCK #2010 "M" F/DOUBLE SLIDING GLASS DOORS



MODEL #2010

Finish

- Alu finish # 14.09.460
- Chrome plated # 14.09.461
- Gold mat plated # 14.09.463
- Gold bright plated # 14.09.462

Application

Double sliding glass doors
premounted on aluminium frame

Accessories for one set

- 1 cylinder push lock $\varnothing 22$ mm
- 1 universal bottom part
premounted for insertion
into H-rail on left or right side
- 2 grub screws for fastening onto the h-rail
- 5 allen keys for every
20 lock sets for tightening the grub
screws
- 2 car keys, double entry

Function

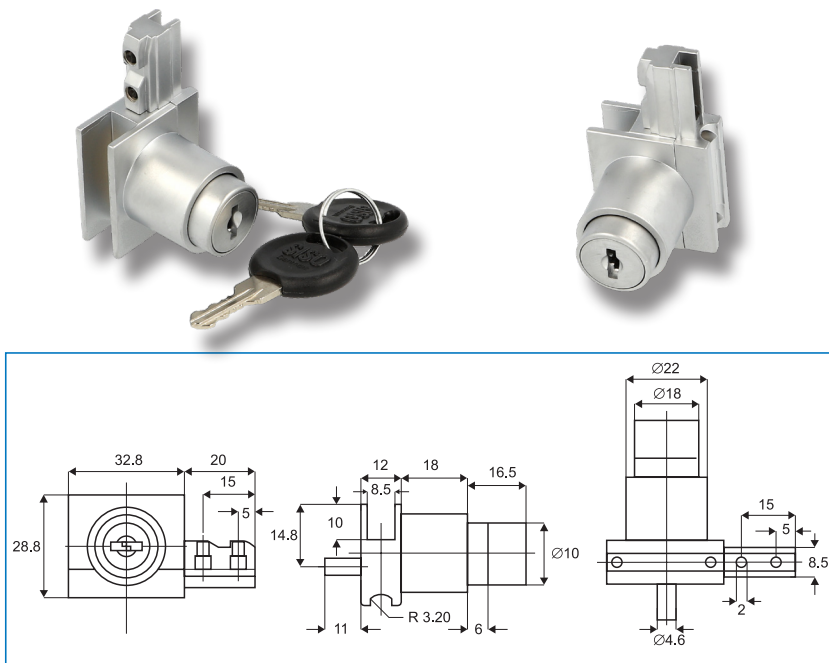
Push cylinder to lock
and turn key to unlock

Specification

Zamak with 400 key combinations
or key alike

Option

Master key system



ACCESSORIES

U-SPLINE PVC

22.26.060
Rolls of 100 mts

SILENCER

22.26.070
Plastic, clear
Bags of 100 pcs

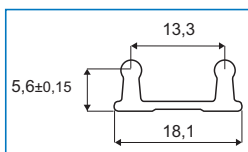
END CAP ZAMAK

Chrome plated # 22.26.051
Alu finish # 22.26.052



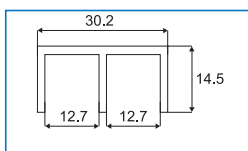
BOTTOM TRACK

Aluminium:
Anodized # 22.26.030
Standard length: 2 metres



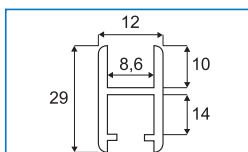
TOP E-TRACK

Aluminium:
Anodized # 22.26.010
Standard length: 2 metres

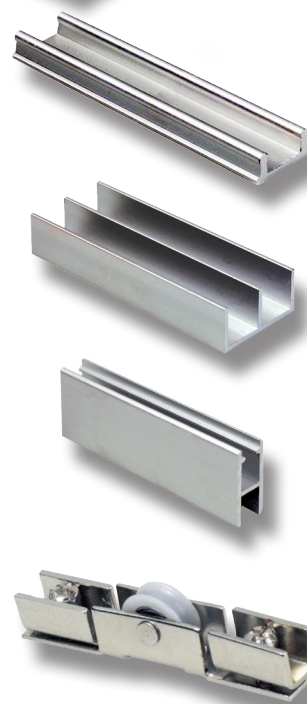
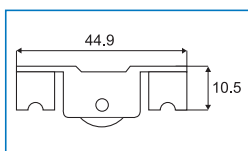


GLASS H-RAIL

Aluminium:
Anodized # 22.26.021
Standard length: 2 metres
For 5 - 6 mm glass thickness

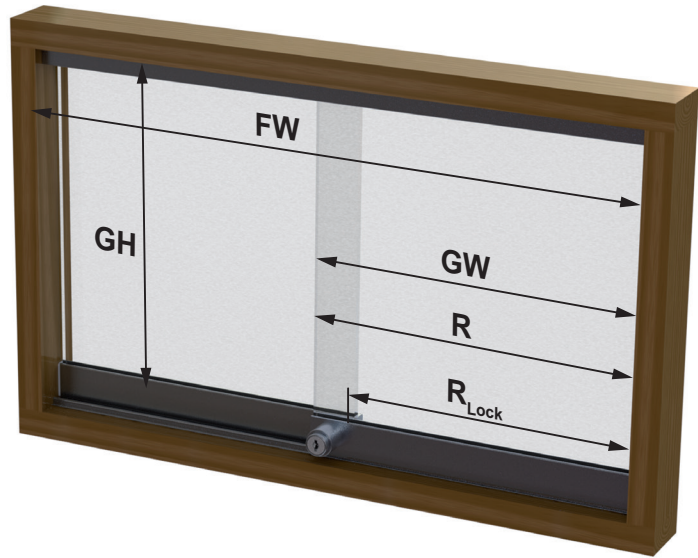


TROLLEY w/Nylon Wheels
Nickel plated # 22.26.041
Load capacity: 3 kg

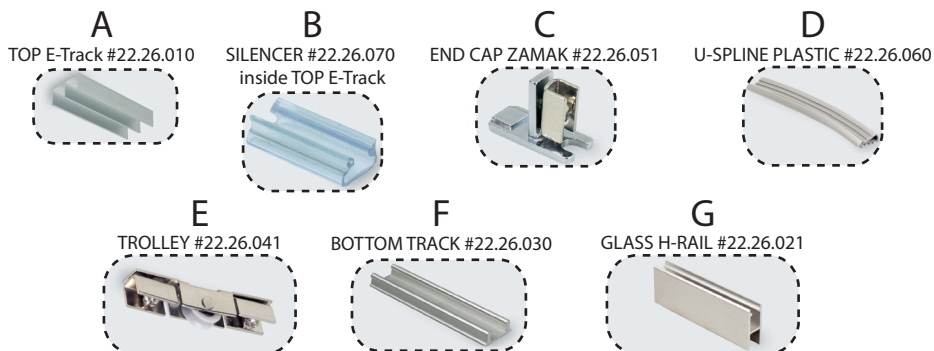
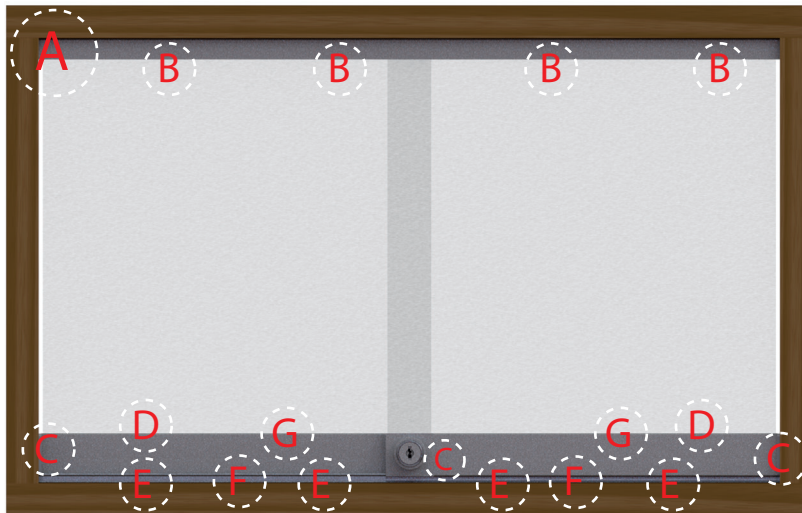
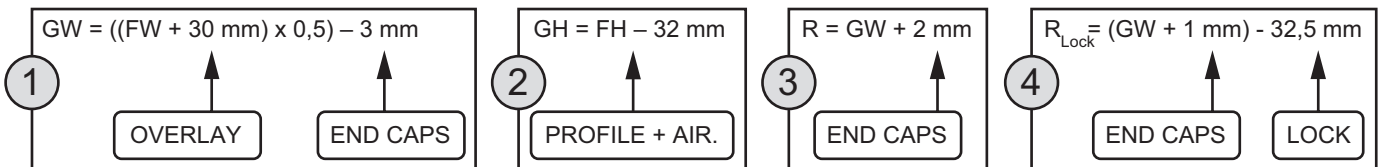


SYSTEM #2010

- FW = Frame width (inside measurement)
- GW = Glass width
- FH = Frame height (inside measurement)
- GH = Glass height
- R = Rail length
- R_{Lock} = Rail length for lock



How to prepare glass door size?



PUSH BUTTON LOCK #2740 "M" W/STRIKER



Application

Double sliding glass doors
Premounted on aluminium frame

Function

Push & turn cylinder with key to lock
& turn key to unlock.
Can be installed into H-rail
on left or right side

Specification

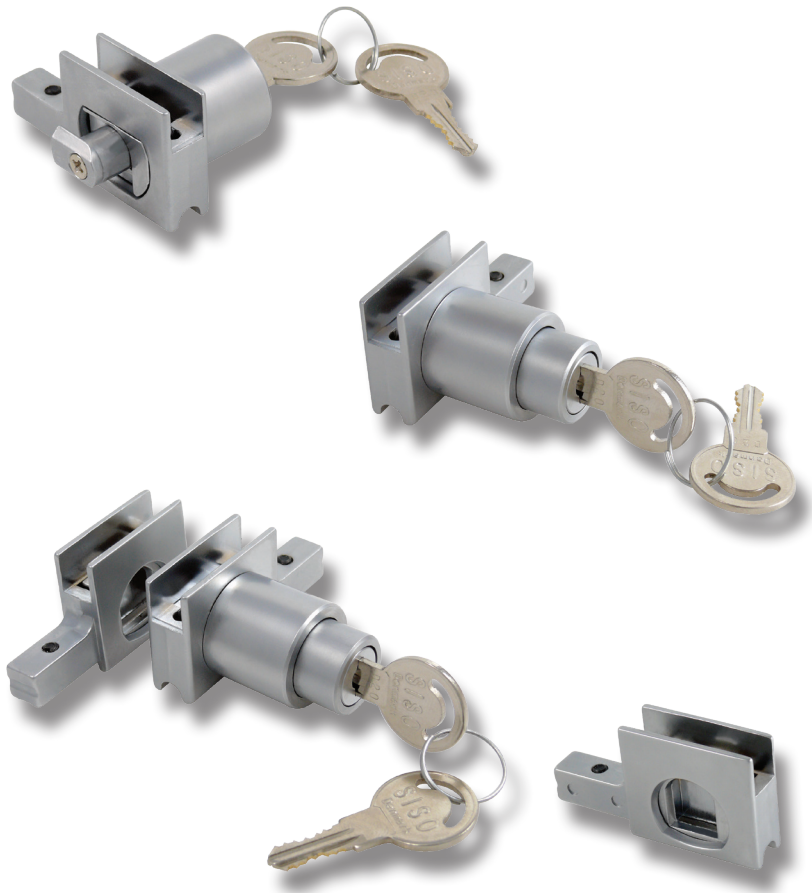
Zamak with 400 key combinations,
key alike or/and master key system

1 set consists of

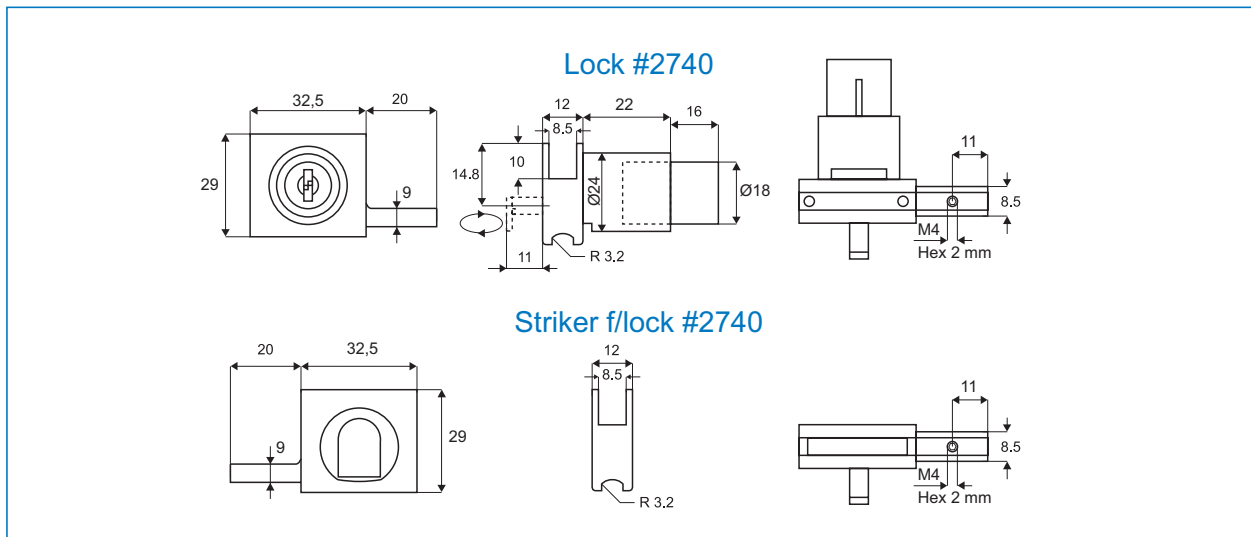
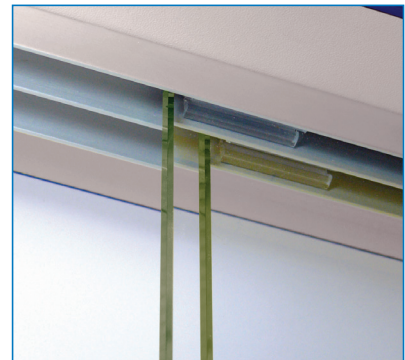
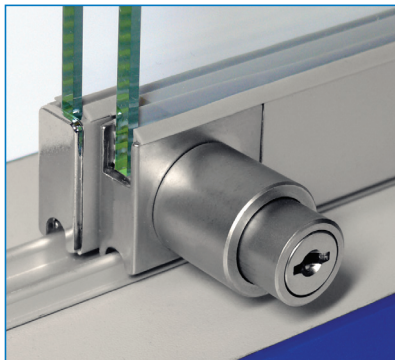
- 1 cylinder push lock \varnothing 22 mm
with hook pin
- 1 striker
- 2 round SISO metal keys, double
entry
- 1 hex key 2 mm
- 2 grub screws for fastening
onto the H-rail

Lock #2740 w/striker

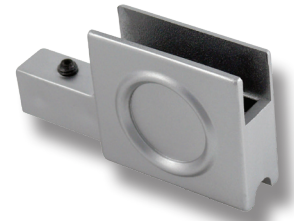
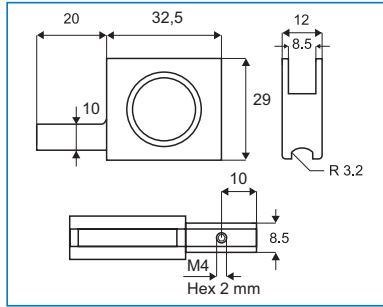
- Alu finish - key to differ # 14.09.440
- Alu finish - key alike # 14.09.441
- Alu finish - w/master key # 14.09.442



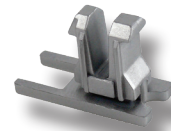
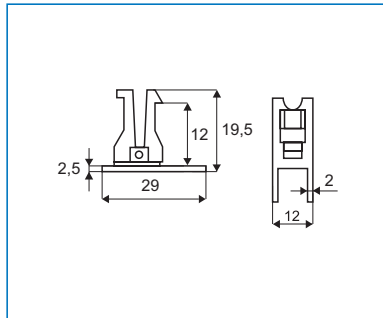
Not for sale in Germany, UK, France & Spain



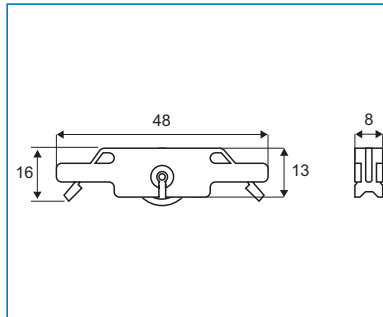
Glass door handle - Plastic
Alu finish # 14.09.445
F/fixing on H-rail w/grub screw



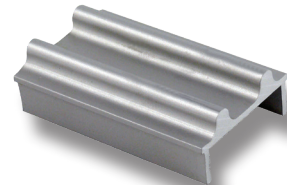
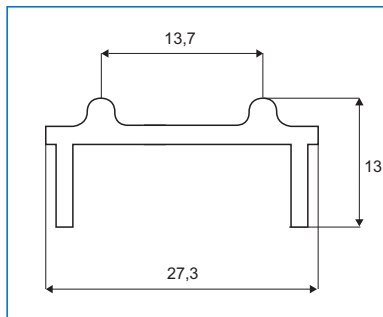
End cap - Plastic
Alu finish # 22.26.053
F/pressing into H-rail



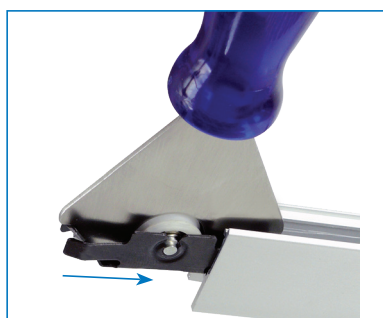
Trolley - w/ball bearing
Zinc plated # 22.26.042
F/fixing on H-rail be use of tool # 22.26.080
Load capacity: 5 kg pr. trolley



Bottom frame track
Aluminium # 22.26.032
Anodized
2 metres length

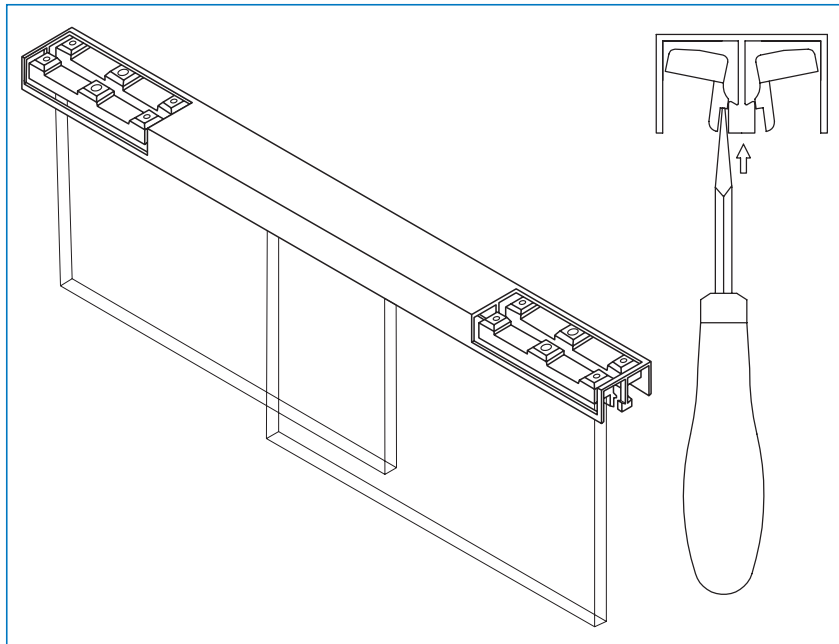
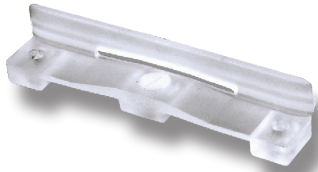


Tool for fixing trolley
Blue # 22.26.080



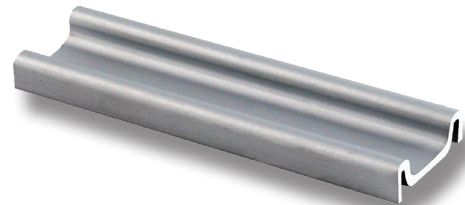
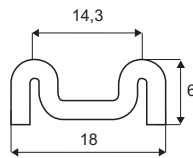
Anti-lift stopper - Plastic

Transparent # 22.26.075
F/pressing into top E-track to prevent lifting of glass



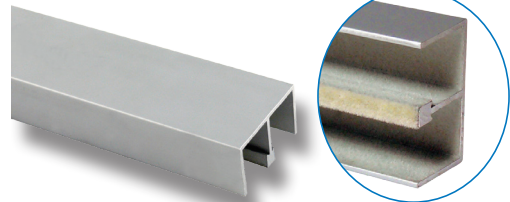
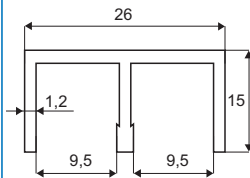
Bottom Track

Aluminium # 22.26.031
Anodized
2 metres length



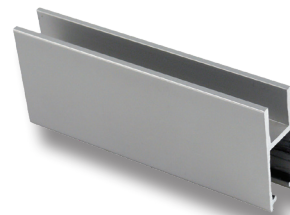
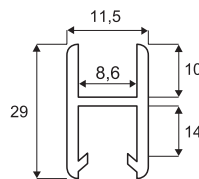
Top E-track with felt

Aluminium # 22.26.011
Anodized
2 metres length



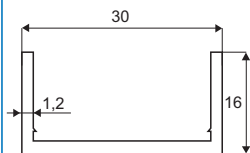
Glass H-rail f/ 5 - 6 mm glass

Aluminium # 22.26.023
Anodized
2 metres length



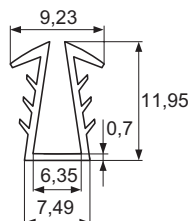
Side & bottom frame track

Aluminium # 22.26.025
Anodized
2 metres length

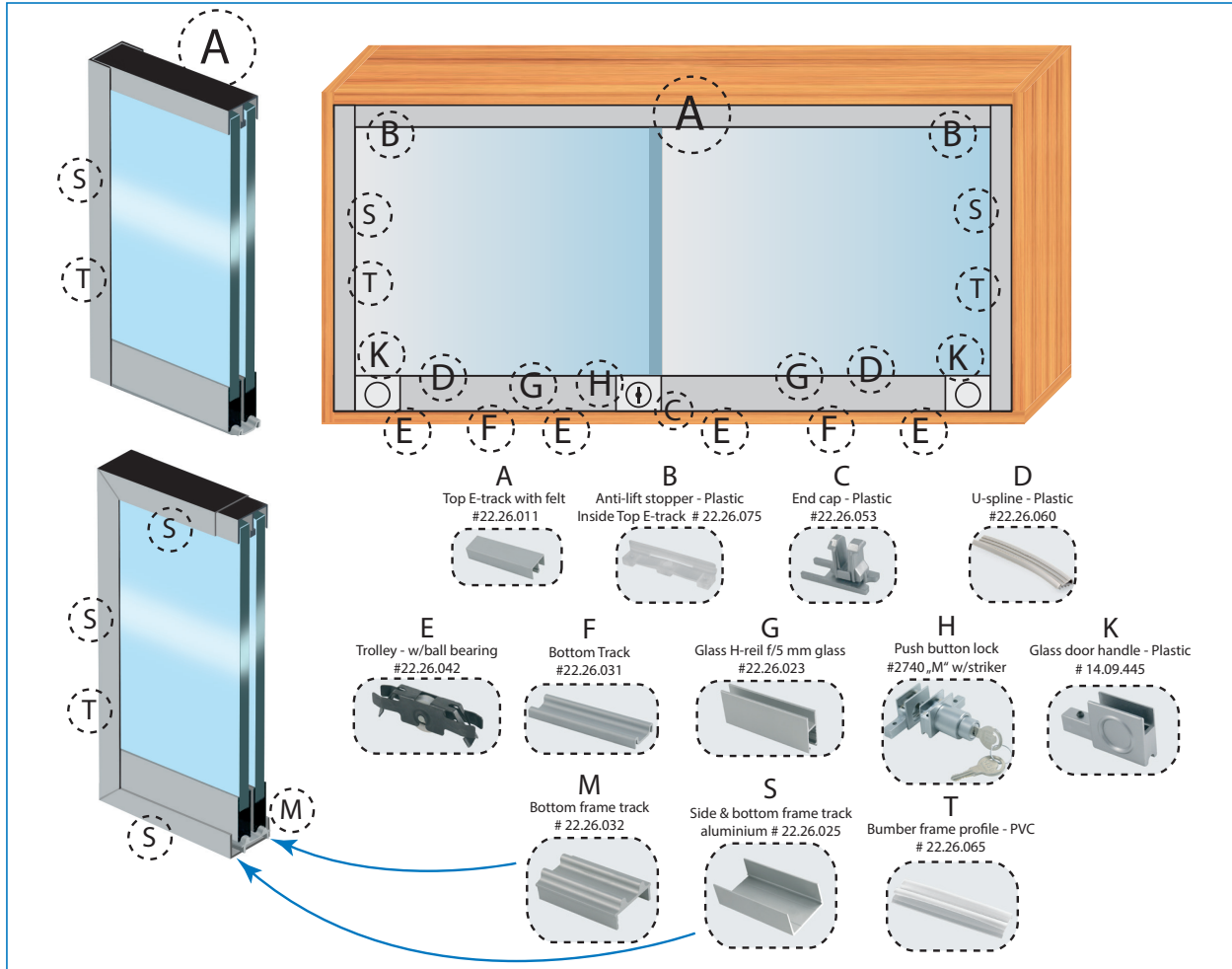
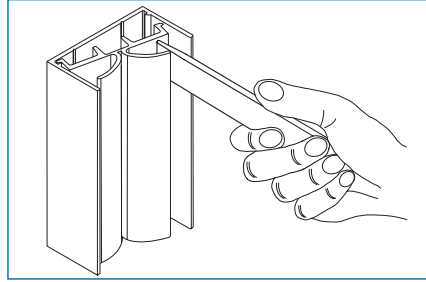


U-SPLINE PVC

Grey color #22.26.060
Rolls of 100 meters



Bumper frame profile - PVC
Transparent # 22.26.065
2 metres length



#2740 MODEL

With frame and high bottom rail (like on picture):

$$GW = ((W - 2,50 \text{ mm}) + 30 \text{ mm}) \times 0,5$$



With bumpers at the sides deduct 10 mm from the GW result.

$$GH = H - 40 \text{ mm}$$



Without frame and with low bottom rail:

$$GW = (W + 30 \text{ mm}) \times 0,5$$

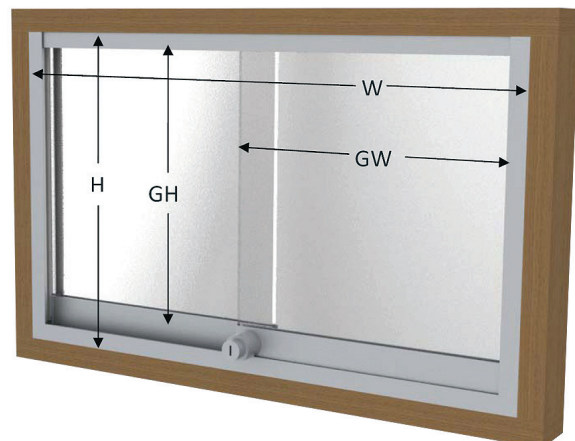


With bumpers at the sides deduct 10 mm from the GW result.

$$GH = H - 32 \text{ mm}$$



W = Inside width of frame
GW = Glass width
H = Inside height of frame
GH = Glass height



GLASS DOOR LOCK #916 "M" DOUBLE OR SINGLE DOORS, HINGED



MODEL #916

Finish

Black anodized # 14.09.047
 Chrome plated # 14.09.048

Application

Hinged glass doors 4-6 mm
 Bore Ø 19 mm

Accessories for one set

- 1 cam lock
- 1 straight steel cam
- 1 plastic washer + 1 hex nut
- 1 flat striking plate: 11 x 57 mm
- 2 car keys, double entry
- 1 front plate zamak

Function

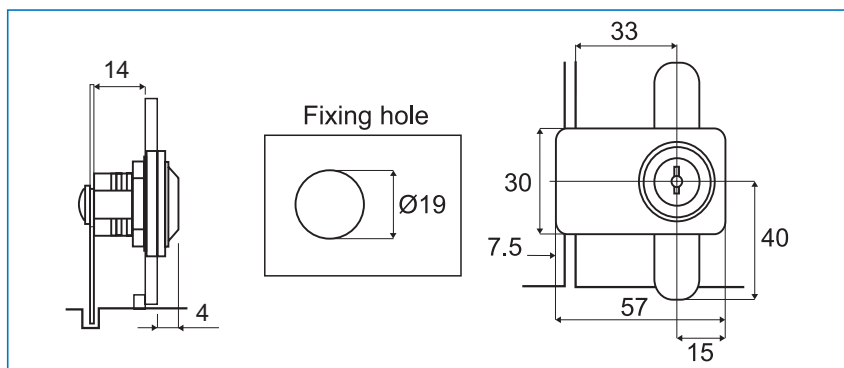
Turn key 180° to lock
 or unlock - w/click action

Specification

Plate & house: zamak
 400 key combinations or key alike

Option

Master key system



GLASS DOOR LOCK "SAFE" "M" SINGLE DOOR, HINGED

MODEL "SAFE"

Finish

Chrome plated # 14.09.320

Application

Single glass door, hinged
 Bore Ø 19 mm

Accessories for one set

- 1 cam lock
- 1 hexagonal nut
- 1 plastic washer
- 1 straight cam
- 1 front plate
- 1 flat striking plate
- 2 car keys, double entry

Function

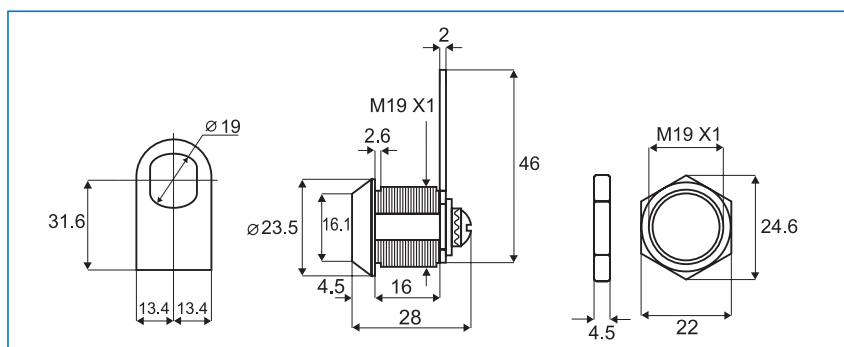
Turn key 90°
 to lock or unlock - w/click sound

Specification

Zamak
 400 key combinations or key alike

Option

Master key system



GLASS DOOR LOCK "VETRO" "MIC" SINGLE DOOR, HINGED

MODEL "VETRO"

Finish

- Chrome plated # 14.09.261
- Gold plated # 14.09.260
- Black anodized # 14.09.262

Application

- Single glass door, hinged
- No boring required

Glass thickness: 4 - 6 mm

Accessories for one set

- 1 lock w/front plate:
- 2 fastening screws
- 1 flat striking plate
- 2 car keys double entry
- 1 plastic distance plate

Function

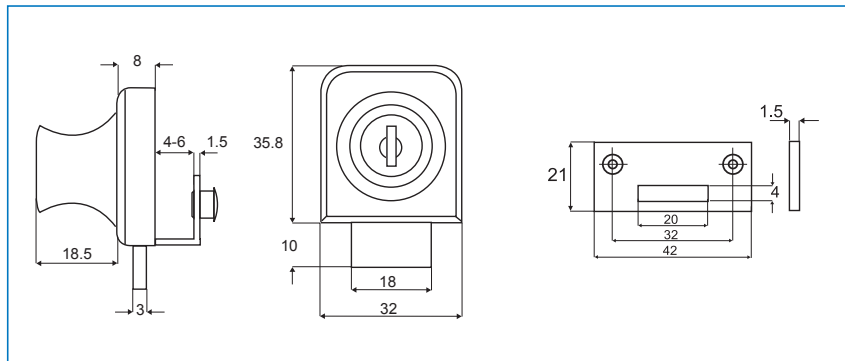
- Turn key 180° to lock
- and reverse to unlock

Specification

- Zamak
- 400 key combinations
- or key alike

Option

- Master key
- and interchangeable system



GLASS DOOR LOCK "VETRO-DOUBLE" "MIC" DOUBLE DOORS, HINGED

MODEL "VETRO-DOUBLE"

Finish

- Chrome plated # 14.09.270
- Gold plated # 14.09.271
- Black anodized # 14.09.272

Application

- Double glass doors, hinged
- No boring required

Glass thickness: 4 - 6 mm

Accessories for one set

- 1 lock w/front plate
- 2 fastening screws
- 1 flat striking plate
- 2 car keys double entry
- 1 plastic distance plate

Optionals

- Door stopper # 14.09.118
- Spring stopper # 14.09.119

Function

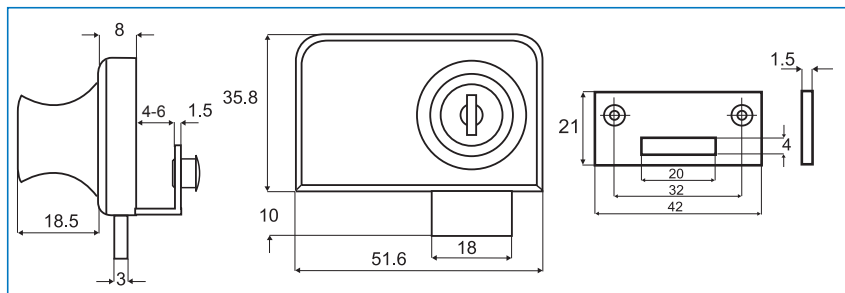
- Turn key 180°
- to lock and reverse to unlock

Specification

- Zamak, 400 key combinations
- or key alike

Option

- Master key
- and interchangeable system



GLASS DOOR LOCK #64081 "MIC" SINGLE DOOR, HINGED



MODEL #64081

Finish

- Chrome plated # 14.09.210
- Gold plated # 14.09.211
- Black anodized # 14.09.212

Application

- Single glass door, hinged
- No boring required

Glass thickness: 4 - 6 mm

Accessories for one set

- 1 lock w/front plate
- 2 fastening screws
- 1 flat striking plate
- 2 car keys double entry
- 1 plastic distance plate

Function

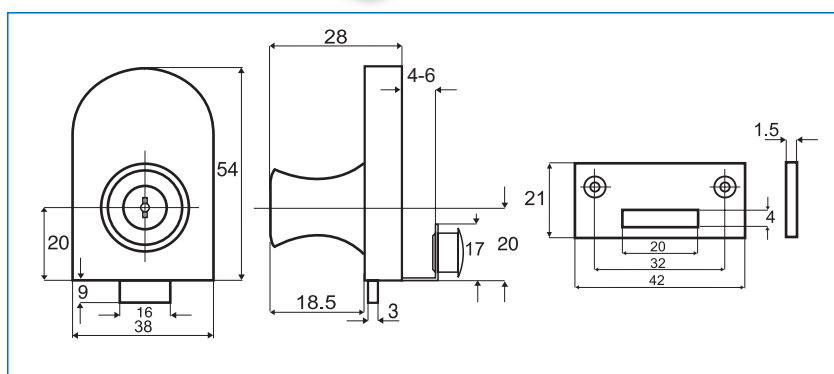
- Turn key 180° to lock
- and reverse to unlock

Specification

- Zamak
- 400 key combinations
- or key alike

Option

- Master key
- and interchangeable system



GLASS DOOR LOCK #917 "MIC" NO BORE - DOUBLE DOORS, HINGED

MODEL #917

Finish

- Chrome plated # 14.09.220
- Alu finish # 14.09.223

Application

- Double glass doors, hinged
- No boring required

Glass thickness: 4 - 6 mm

Accessories for one set

- 1 lock w/large front plate
- 2 fastening screws
- 1 flat striking plate
- 2 car keys double entry
- 1 plastic distance plate

Optionals

- Door stopper # 14.09.118
- Spring stopper # 14.09.119

Function

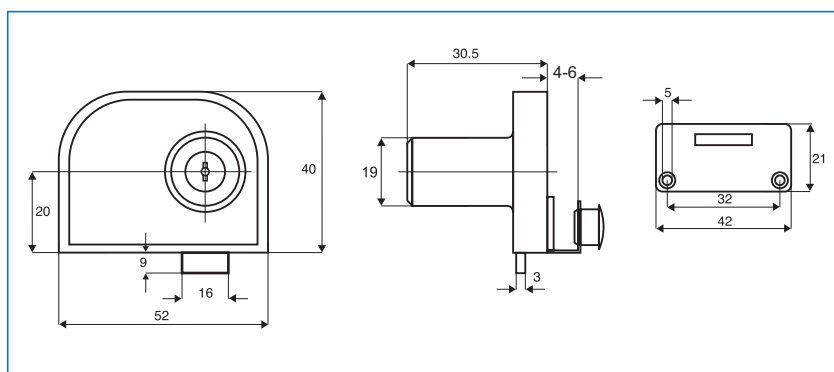
- Turn key 180° to lock
- and reverse to unlock

Specification

- Zamak
- 400 key combinations or key alike

Option

- Master key
- and interchangeable system



GLASS DOOR LOCK #918 "MIC" NO BORE - SINGLE DOOR, HINGED

MODEL No. 918

FINISH

- Chrome plated # 14.09.217
- Alu finish # 14.09.217-1

Application

Single glass doors, hinged
No boring required

Glass thickness: 4 - 6 mm

Accessories for one set

- 1 lock w/front plate
- 2 fastening screws
- 1 flat striking plate
- 2 car keys double entry
- 1 plastic distance plate

Optionals

- Door stopper # 14.09.118
- Spring stopper # 14.09.119

Function

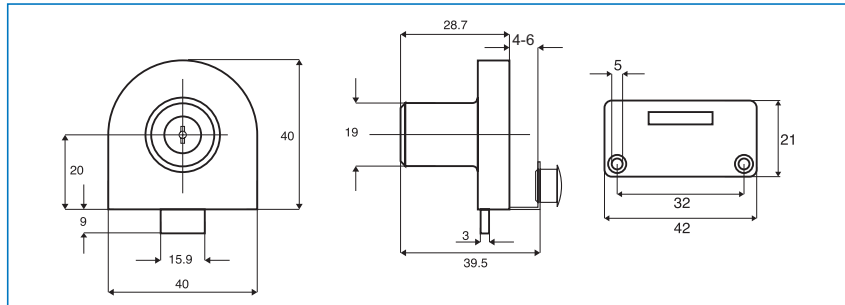
Turn key 180°
to lock and reverse to unlock

Specification

Zamak
400 key combinations or key alike

Option

Master key
and interchangeable system



STRIKER (FOR LOCK #918) FOR DOUBLE HINGED DOORS

MODEL "STRIKER"

Finish

- Chrome plated # 14.09.246
- Alu finish # 14.09.247
- Gold plated # 14.09.248

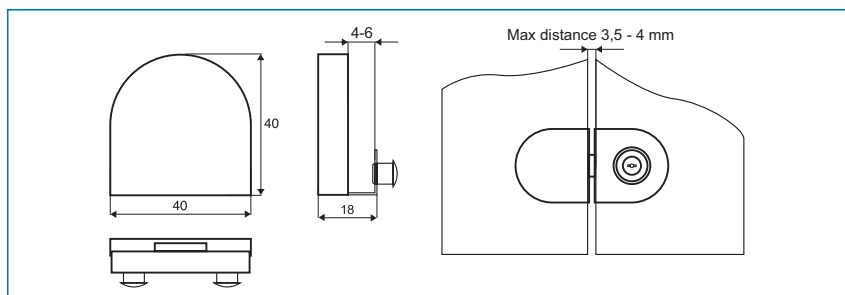
Application

Double glass door, hinged
No boring required

Glass thickness: 4 - 6 mm

Accessories for one set

- 1 lock w/front plate
- 2 fastening screws
- 1 flat striking plate
- 1 plastic distance plate



DOOR BAR HANDLE LOCKS SS-304 F/GLASS DOORS



Application:

For locking of glass doors by use of key or turn knob. Suitable for 8-12 mm glass

Specifications:

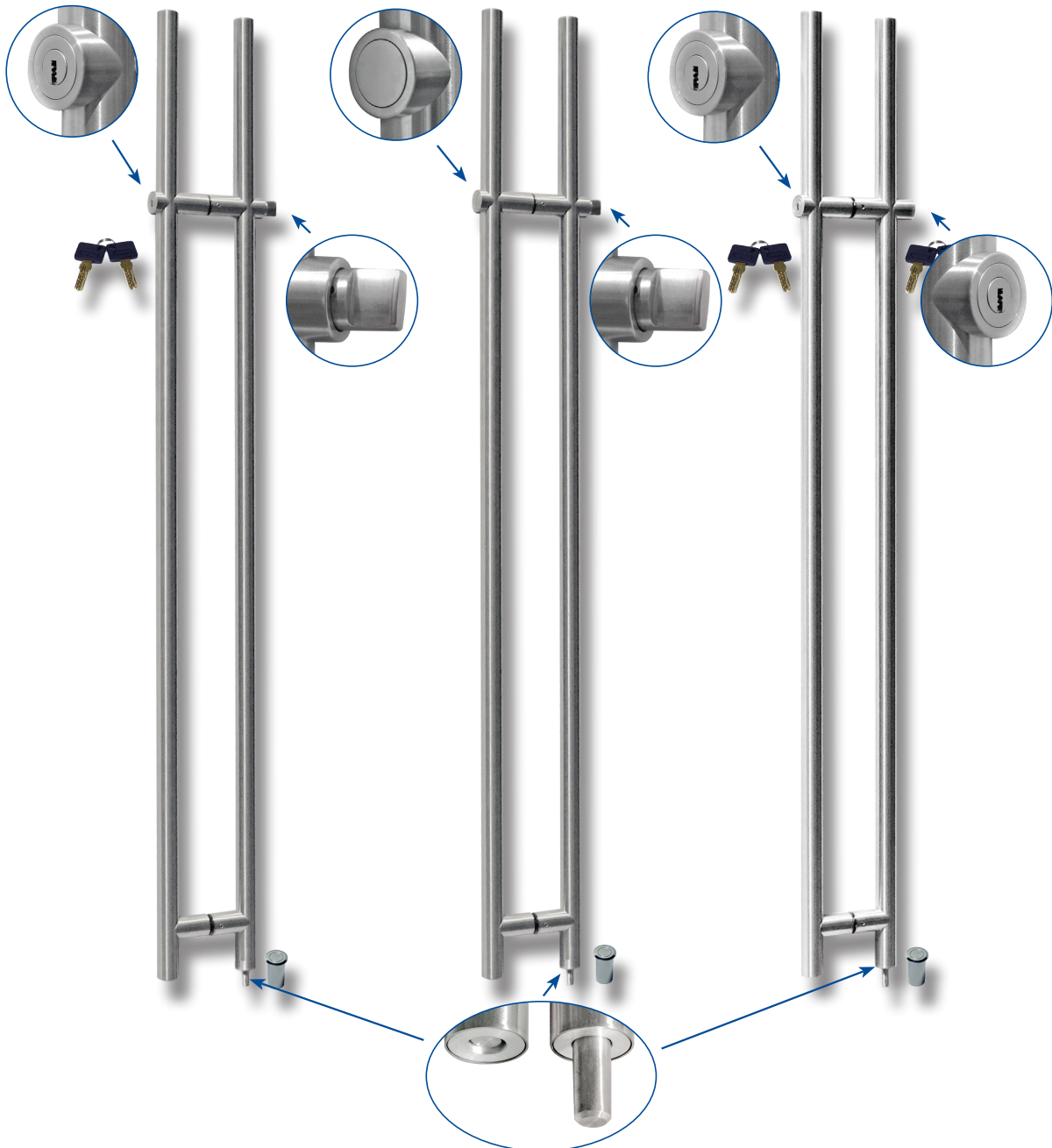
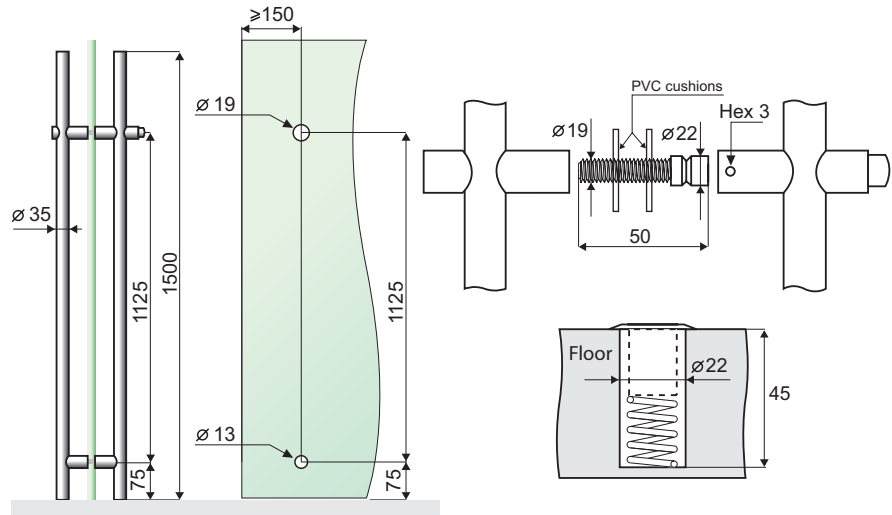
Bar handle \varnothing 35 x 1500 mm
Incl. floor socket w/spring dust cover
Cylinder w/5 metal keys or turn knob
5000 KD on cylinder version

Material:

Stainless steel SS-304 - brushed

Item No:

- W/cylinder & knob # 14.60.600
- W/knob on one side # 14.60.610
- W/cylinder on 2 sides # 14.60.615



COMBINATION LOCK "JACKS" LEFT OR RIGHT – 90° OR 180°

Application:

For metal or wooden doors, drawers, cabinets & boxes.

Accessories for one set:

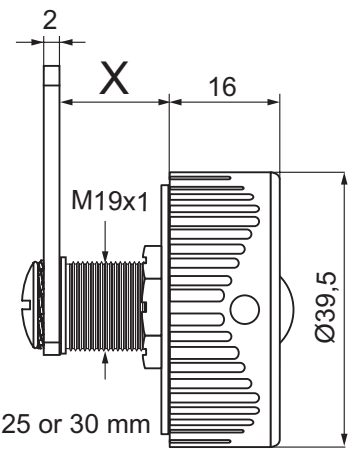
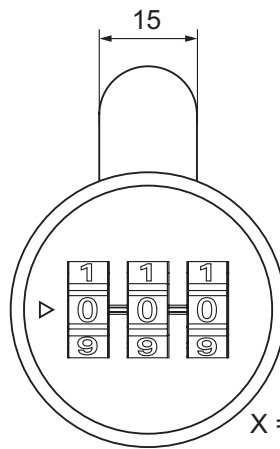
- 1 turn knob $\varnothing 39,5$ mm
- 1 cylinder $\varnothing 19 \times 16/20/25$ or 30 mm
- 1 cam plate A04 - C.E.: 40 mm
- 1 hex nut

Specifications:

Turn knob & cylinder made of zamak
Cam & hex nut made of steel, NPL
3 digits from 0 – 9
Cylinder size: $\varnothing 19 \times 16/20/25$ or 30 mm
90° turn. Can be changed to 180°.
Left or right hand version. Can be changed.
Chrome plated or black anodized

Item No.:

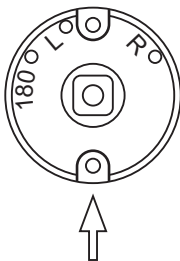
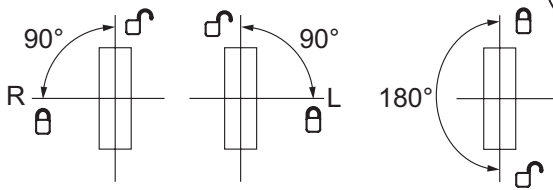
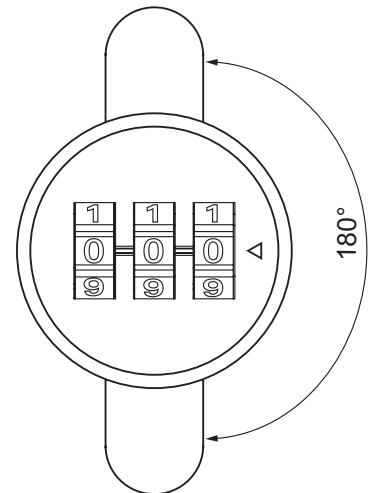
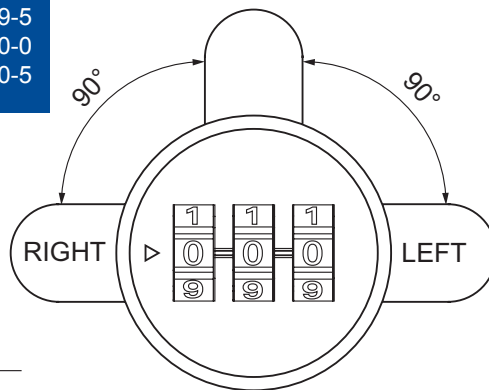
| | |
|---|---------------|
| $\varnothing 19 \times 16$ mm, Right, 90°, Chrome | # 14.08.210-0 |
| $\varnothing 19 \times 16$ mm, Left, 90°, Chrome | # 14.08.210-5 |
| $\varnothing 19 \times 16$ mm, Right, 90°, Black | # 14.08.211-0 |
| $\varnothing 19 \times 16$ mm, Left, 90°, Black | # 14.08.211-5 |
| $\varnothing 19 \times 20$ mm, Right, 90°, Chrome | # 14.08.213-0 |
| $\varnothing 19 \times 20$ mm, Left, 90°, Chrome | # 14.08.213-5 |
| $\varnothing 19 \times 20$ mm, Right, 90°, Black | # 14.08.214-0 |
| $\varnothing 19 \times 20$ mm, Left, 90°, Black | # 14.08.214-5 |
| $\varnothing 19 \times 25$ mm, Right, 90°, Chrome | # 14.08.216-0 |
| $\varnothing 19 \times 25$ mm, Left, 90°, Chrome | # 14.08.216-5 |
| $\varnothing 19 \times 25$ mm, Right, 90°, Black | # 14.08.217-0 |
| $\varnothing 19 \times 25$ mm, Left, 90°, Black | # 14.08.217-5 |
| $\varnothing 19 \times 30$ mm, Right, 90°, Chrome | # 14.08.219-0 |
| $\varnothing 19 \times 30$ mm, Left, 90°, Chrome | # 14.08.219-5 |
| $\varnothing 19 \times 30$ mm, Right, 90°, Black | # 14.08.220-0 |
| $\varnothing 19 \times 30$ mm, Left, 90°, Black | # 14.08.220-5 |



X = 16, 20, 25 or 30 mm

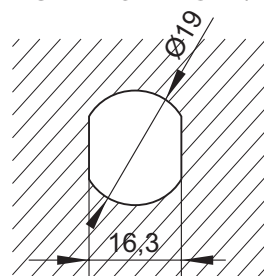
LEFT OR RIGHT - 90° TURN

180° TURN

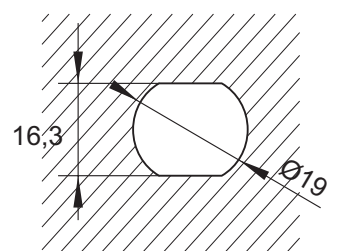


EACH LOCKS TURNING DIRECTION
MAY BE MODIFIED. THE TURNING
DIRECTION IS DETERMINED
BY THE POSITION OF SMALL
PIN/KNOB INSIDE THE LOCK.

HOLE SIZE FOR RIGHT/LEFT



HOLE SIZE FOR 180° TURN



COMBINATION LOCK W/RUBBER RING

Application:

For metal or wooden doors, drawers, cabinets & boxes. W/Black rubber ring f/soft feeling.

Accessories for one set:

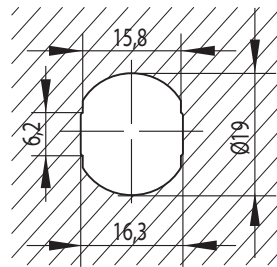
- 1 turn knob \varnothing 38 mm
- 1 cylinder \varnothing 19 x 20 mm
- 1 cam plate c.e.: 37 mm
- 1 hex nut

Specifications:

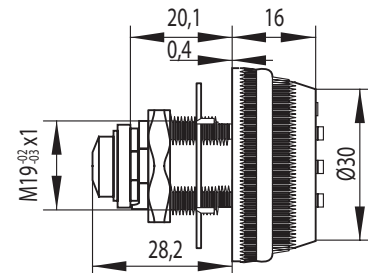
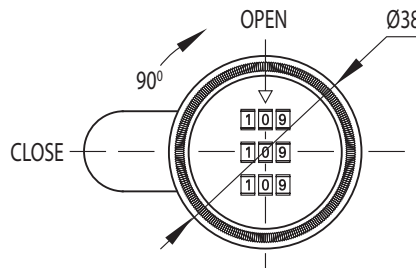
Turn knob & cylinder made of zamak.
Cam and hex nut made of steel, NPL
3 digits from 0 - 9
90° turn. Universal Left + Right
Pre-coded 000. Re-coding by pressing metal pin on side of housing into the housing in open position.

Item No.:

- Black Anodized: # 14.08.203
- Chrome Plated: # 14.08.204



Universal Left + Right



3-DIGIT COMBINATION LOCK "DOME"

Application:

For metal or wooden doors, drawers, cabinets, boxes etc.

Function:

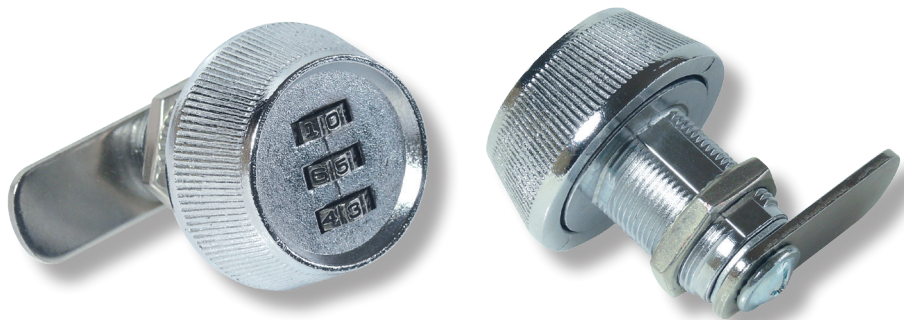
Rotation angle 90°

Specifications:

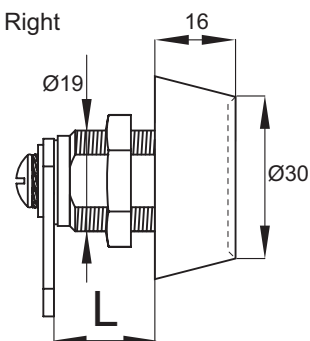
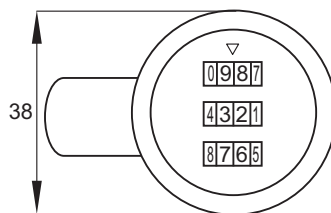
Zamak body, cylinder & hex nut
Steel cam
Pre-coded 000
Re-coding by pushing split into hole in lock body in open position
1000 combinations
Available in 17,5, 22,5 & 29 mm cylinder lengths
Universal Left + Right

Item No.:

- 17,5 mm # 14.08.200
- 22,5 mm # 14.08.201
- 29 mm # 14.08.202



Universal Left + Right



COMBINATION CAM LOCK NO. 213

Application:

For drawers & cabinets.

Accessories for one set:

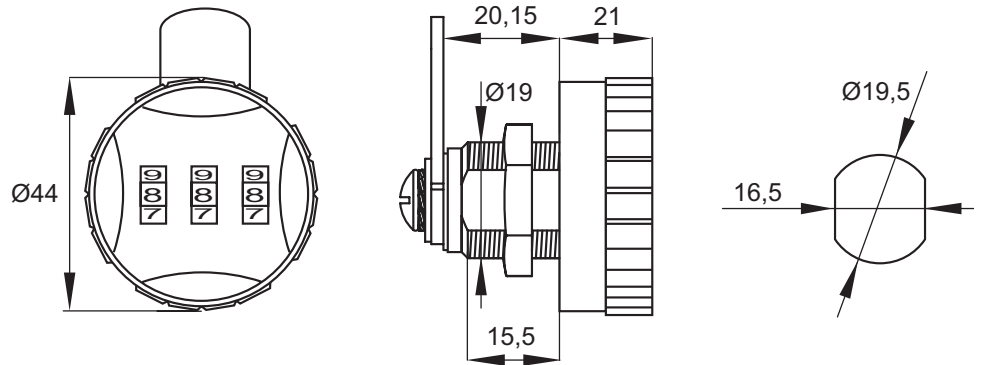
- 1 turn knob \varnothing 44 mm
- 1 cylinder \varnothing 19 x 20 mm
- 1 cam plate c.e.: 40 mm
- 1 hex nut

Specifications:

Turn knob made of black/grey plastic
 Cylinder made of zamak
 Cam and hex nut made of steel, NPL
 3 digits from 0 - 9
 90° turn. Right hand
 Pre-coded 000.
 Re-coding by pressing metal pin on side of housing into the housing in open position

Item No.:

Black/grey # 14.08.270



COMBINATION CAM LOCK NO. M215

Application:

For drawers & cabinets

Accessories for one set:

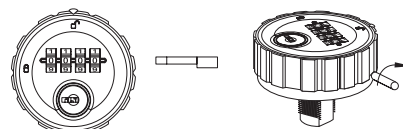
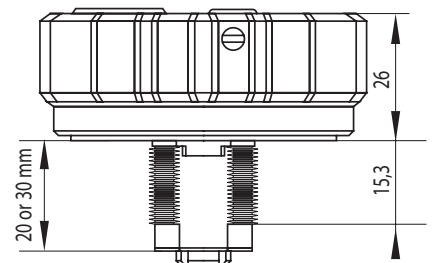
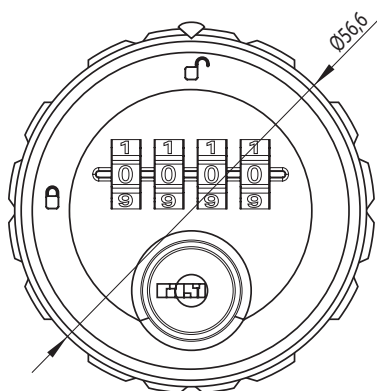
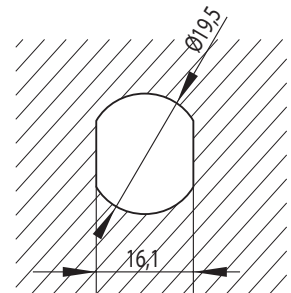
- 1 turn knob \varnothing 56,6 mm
- 1 cylinder \varnothing 19 x 20 mm or \varnothing 19 x 30 mm
- 1 cam plate c.e.: 40 mm
- 1 hex nut

Specifications:

Turn knob made of black/grey plastic.
 Cylinder made of zamak
 Cam and hex nut made of steel, NPL
 4 digits from 0 - 9
 90° turn. Right hand
 Pre-coded 0000.
 Re-coding by pressing metal pin on side of housing into the housing in open position.
 W/master key system code A201
 Code finder by use of master key

Item No.:

\varnothing 19 x 20 mm # 14.08.271
 \varnothing 19 x 30 mm # 14.08.272
 Master key # 14.08.251



COMBINATION CAM LOCK M316 - "PRIVATE" ZAMAK HOUSING - W/MASTER KEY & CODE FINDER

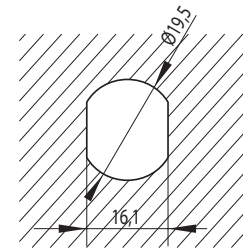
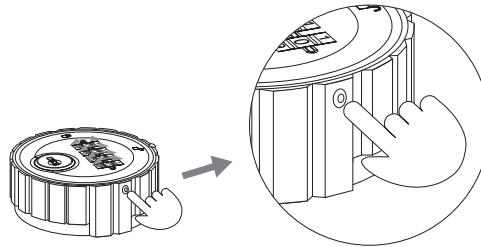
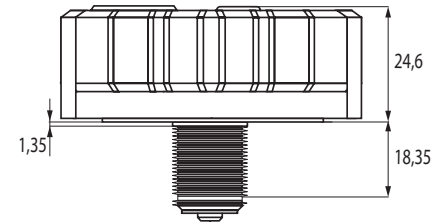
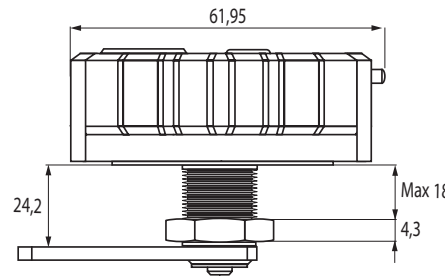
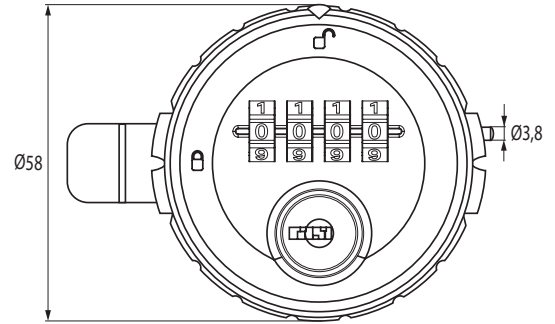


Application:
For drawers & cabinets

Accessories for one set:
1 turn knob \varnothing 60 mm
1 cylinder \varnothing 19 x 24 mm
1 straight cam plate ce: 45 mm
1 hex nut
1 hole size reduction washer.
From \varnothing 22 to \varnothing 19 mm

Specifications:
Zamak turn knob & cylinder
Cam, hex nut & washer
made of steel, NPL.
4 digits from 0 - 9.
90° turn. Right hand.
Pre-coded 0000.
Re-coding by pressing metal pin
on side of housing into the housing
in open position.
W/master key system code A201
& code finder.
Code finder by use of master key

Item No.:
Silver color # 14.08.290
Black color # 14.08.291
Master key A201 # 14.08.251



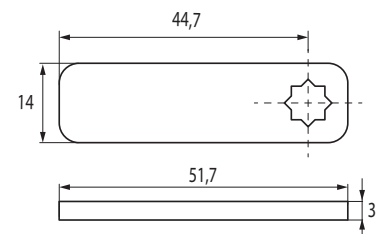
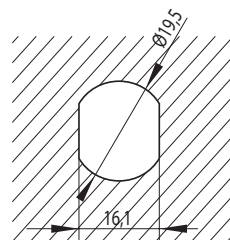
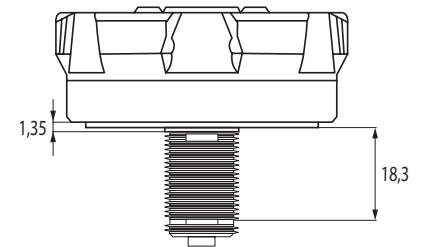
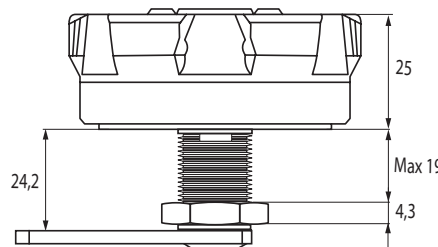
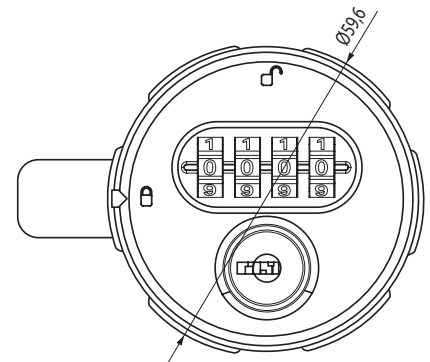
COMBINATION CAM LOCK M300 - "PUBLIC" W/MASTER KEY & CODE FINDER

Application:
For drawers & cabinets

Accessories for one set:
1 turn knob \varnothing 60 mm
1 cylinder \varnothing 19 x 24 mm
1 straight cam plate ce: 45 mm
1 hex nut

Specifications:
Turn knob made of plastic
Cylinder made of zamak.
Cam, hex nut & washer made
of steel, NPL
4 digits from 0 - 9
90° turn. Right hand
Pre-coded 0000
Re-coding by pressing metal pin on
side of housing
into the housing in open position.
W/master key system code
A201 & code finder
Code finder by use of master key

Item No.:
Black color: # 14.08.292
Master key A201 # 14.08.251



Application:

Suitable for drawers, lockers, cabinets, and wardrobes.

Accessories for one set:

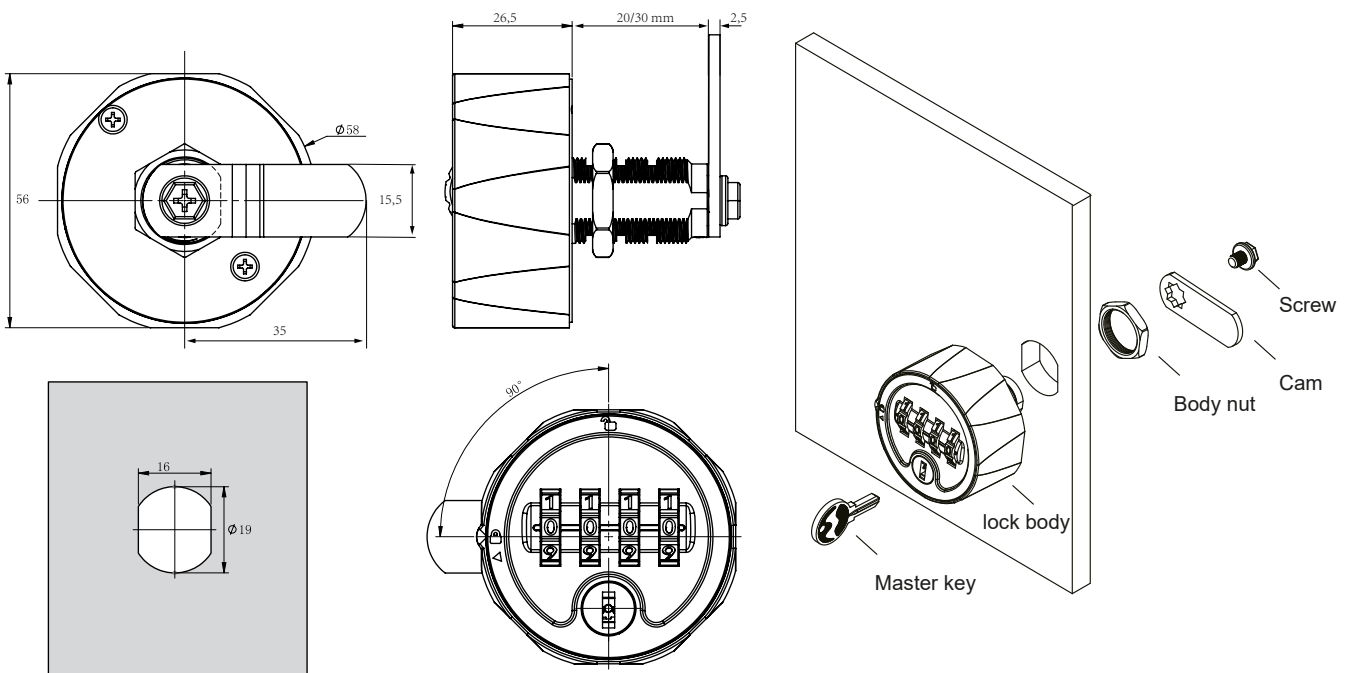
- 1 turn knob Ø56 x 26,5 mm
- 1 cylinder Ø19 x 20 or Ø19 x 30 mm
- 1 straight cam plate C/E: 35 mm
- 1 hex nut

Specifications:

Turn knob made of zamak – black or white
 Cylinder made of zamak
 Cam, hex nut & washer made of steel, NPL
 4 digits from 0 – 9
 90 degree turn. Right hand
 Pre-coded 1-1-1-1
 Re-coding by turning lock body 10 DG counter-clockwise
 W/master key system code #08 & code finder
 Code finder by use of master key
 Door thickness:
 0,6 – 12 mm (20mm cylinder)
 0,6 – 22 mm (30mm cylinder)

Item No.:

- Size: Ø19 x 20 mm, Black: # 14.08.280
- Size: Ø19 x 20 mm, White: # 14.08.281
- Size: Ø19 x 30 mm, Black: # 14.08.286
- Size: Ø19 x 30 mm, White: # 14.08.287
- Master key #08 # 14.08.285



COMBINATION CAM LOCK M237 – “PUBLIC/PRIVATE” W/MASTER KEY & CODE FINDER



Application:

For metal drawers & cabinets

Accessories for one set:

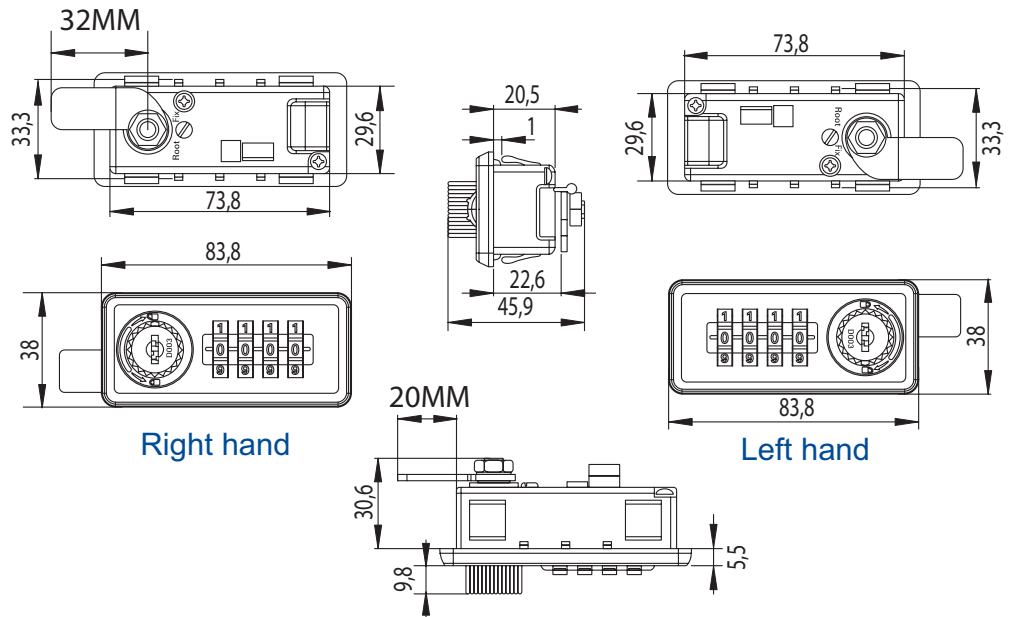
- 1 Lock body 73,8 x 33,3 x 22,6 mm (L/W/D)
- 1 angled cam plate c.e.: 32 mm
- 1 lock washer
- 1 hex nut

Specifications:

- ABS lock housing
- Cylinder inner core made of zamak
- Cam and hex nut made of steel, NPL
- 4 digits from 0 - 9
- 180° turn.
- Right or Left hand version
- Public or private setting by use of switch button
- W/master key system code D001 & code finder
- F/1 mm metal sheet

Item No.:

- Right Hand: # 14.08.600
- Left Hand: # 14.08.601
- Master Key D001 # 14.08.252

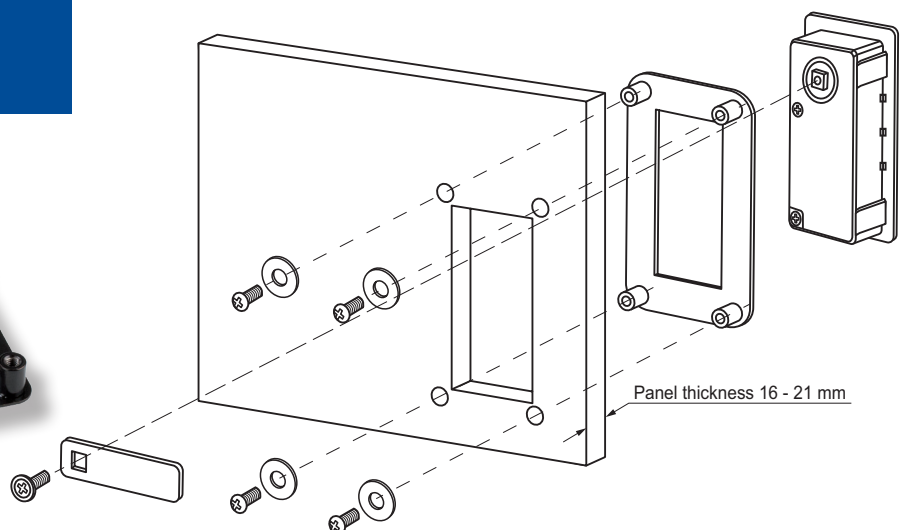


FRONT MOUNTED METAL PLATE F/WOODEN PANELS

Application for wooden panels
by optional metal front plate.

Item No.

- Metal black # 14.08.610
- White on request



Application:

For metal drawers & cabinets

Accessories for one set:

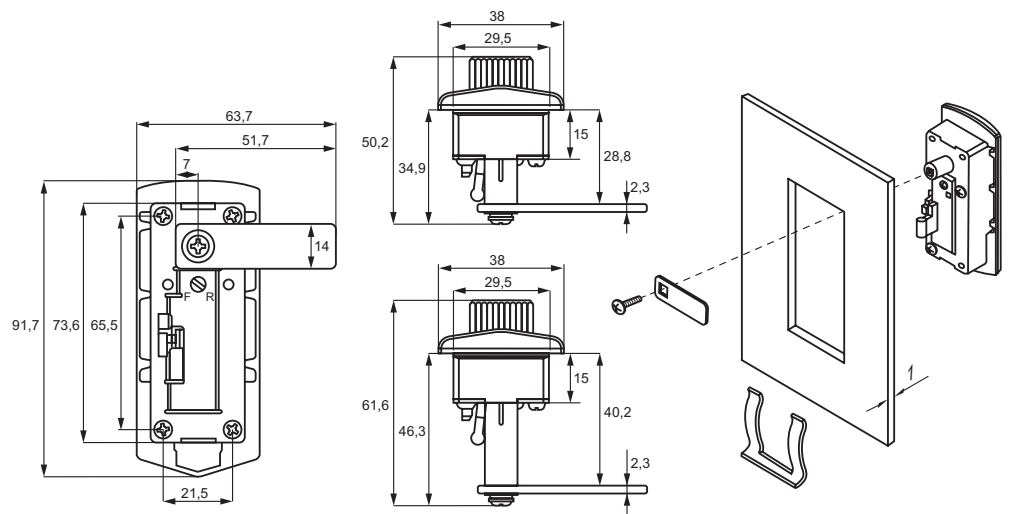
- 1 lock body 73,6 x 29,5 x 28,8 mm (L/W/D)
- 1 straight cam plate ce: 44,7 mm
- 1 metal fixing clip

Specifications:

- Zamak lock housing – nickel plated
- Vertical installation
- 4 black plastic digits from 0 – 9
- 180° turn
- Right hand version (left on request)
- Public or private setting by use of switch button
- W/master key system code D0001 & code finder.
- F/1 mm metal sheet

Item No.:

- Right hand: # 14.08.260
- Master key D001 # 14.08.252

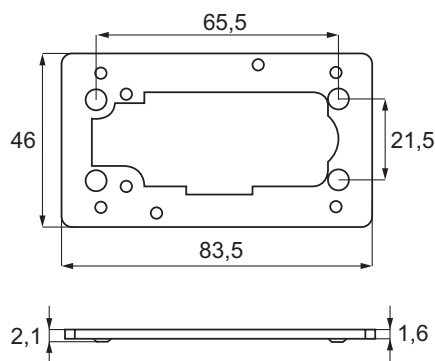


BACK PLATE F/LOCK M238 F/WOODEN PANELS

- Panel thickness:** 16 - 35 mm
- Size:** 46 x 84 x 2 mm
- Material:** steel, nickel plated

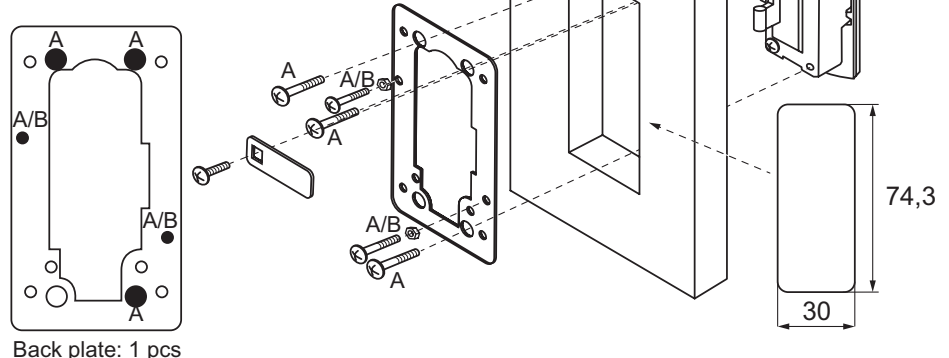
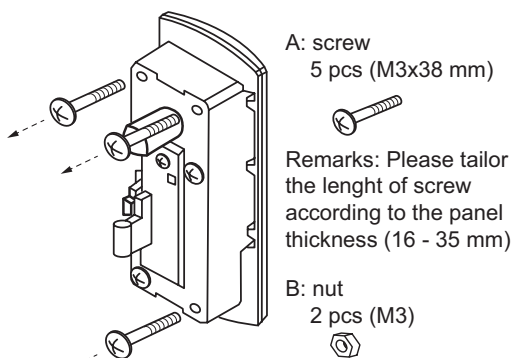
Item No. # 14.08.264

Incl. fixing screws & nuts



Panel thickness: 16 - 35 mm

1. Remove the original screws (3 pcs, screw position shown as below).
2. Replace with 5 new screws in A position and 2 nuts in B position.



COMBINATION CAM LOCK M268 - ZAMAK HOUSING - VERTICAL - W/MASTER KEY & CODE FINDER



Application:

For drawers & cabinets

Accessories for one set:

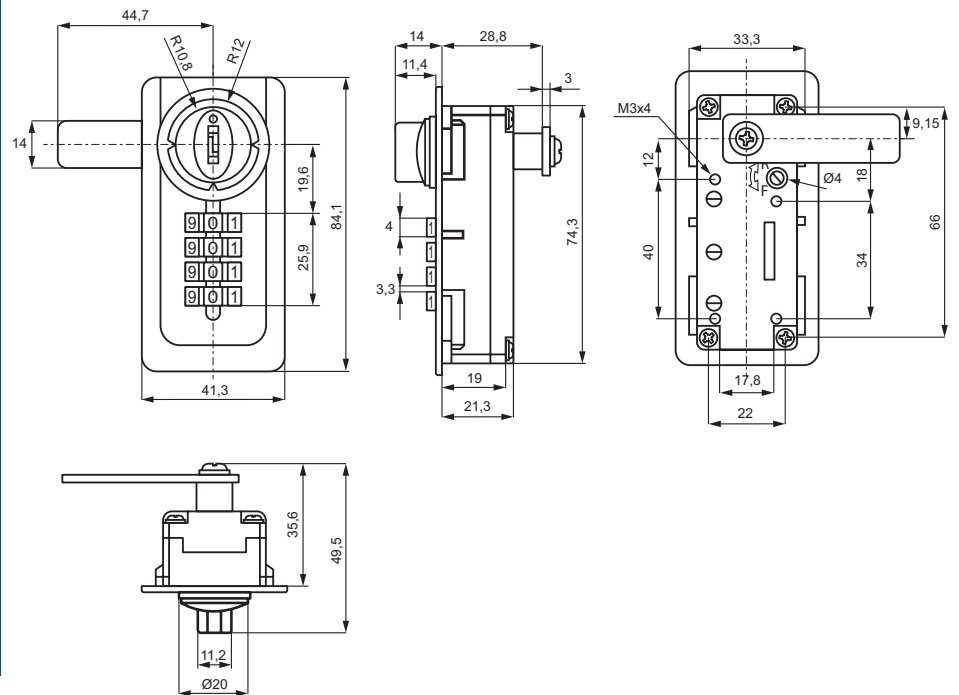
- 1 lock body 74,3 x 33,3 x 21,3 mm (L/W/D)
- 1 straight cam plate ce: 44,7 mm
- 2 metal fixing clips

Specifications:

Zamak lock housing - black
Cam & fixing clips made of steel, NPL
90° turn.
Vertical installation.
Right hand.
4 steel digits from 0 - 9.
Pre-coded 0000.
Public or private setting by use of switch button.
W/master key system code D005
& code finder.
Code finder by use of master key.
F/1 mm metal sheet.

Item No.:

- Right hand: # 14.08.262
- Master key D005 # 14.08.255



BACK PLATE F/LOCK M268 F/WOODEN PANELS

Panel thickness:

17 - 20,5 mm

Size:

78,5 x 38 x 7 mm
(L/W/D)

Material:

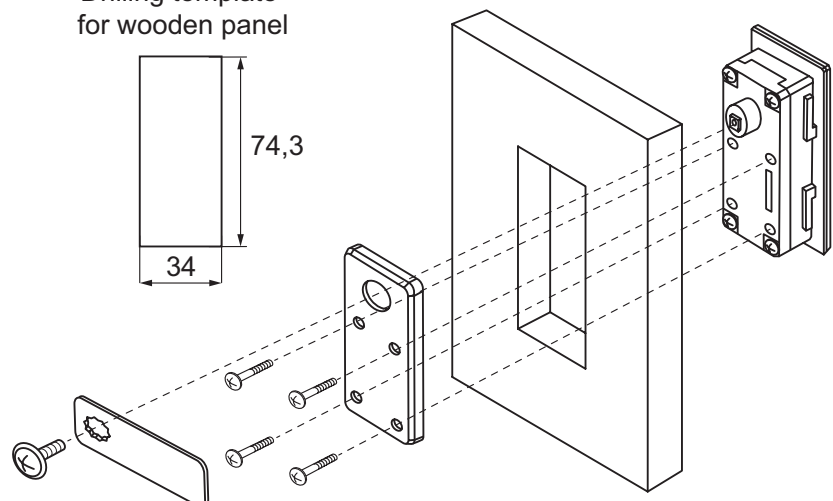
Black plastic

Item No.:

14.08.262-9



Drilling template
for wooden panel



COMBINATION LOCK M224 - "PRIVATE" W/MASTER KEY & CODE FINDER

Application:

For drawers & cabinets

Accessories for one set:

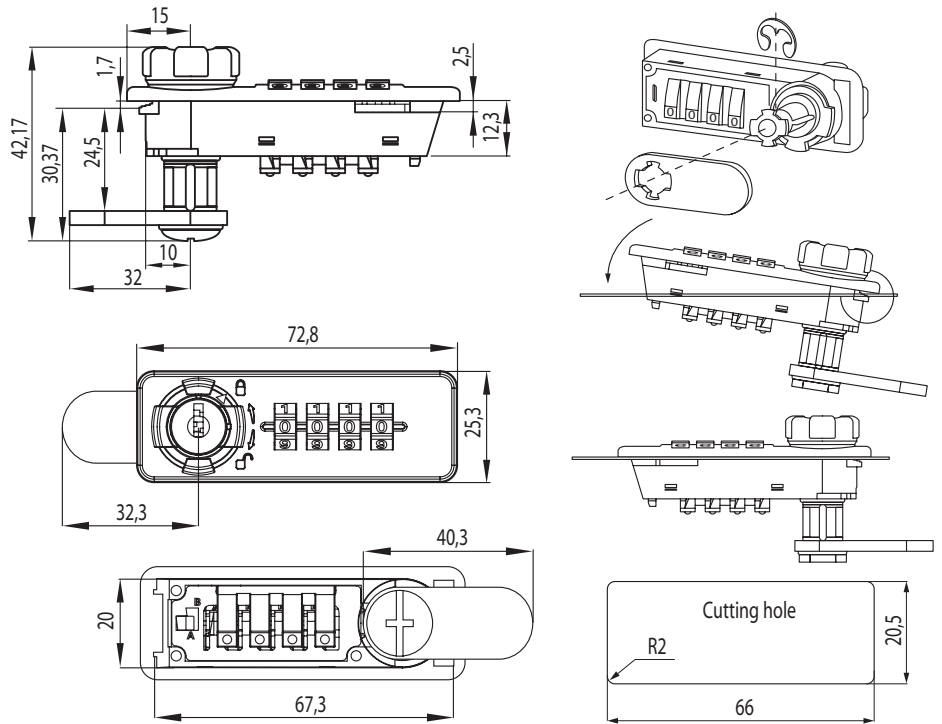
- 1 lock body 72,8 x 42,8 x 25,3 mm (L/W/D)
- 1 straight cam plate ce: 32 mm
- 1 spring mounting clip

Specifications:

ABS lock housing - black
Horizontal installation 4 black plastic digits from 0 - 9
Private version ONLY
90° turn - right or left hand version
W/master key system code 201 & code finder.
F/0,8-1 mm metal panels or 12-22 mm wooden doors by use of extra back plate.

Item No.:

- Right hand # 14.08.259-1
- Left hand # 14.08.259-8
- Master key 201 # 14.08.250



BACK PLATE F/LOCK M224 F/1-12MM PANELS

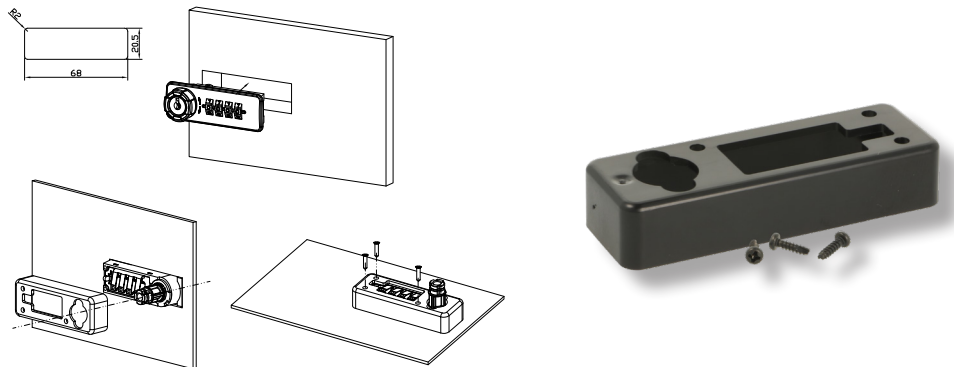
Panel thickness: 1 - 12 mm

Cutting hole: 68 x 20,5 mm

Material: Black plastic

Incl. 3 screws

Item No. # 14.08.247



BACK PLATE F/LOCK M224 F/12-22MM PANELS

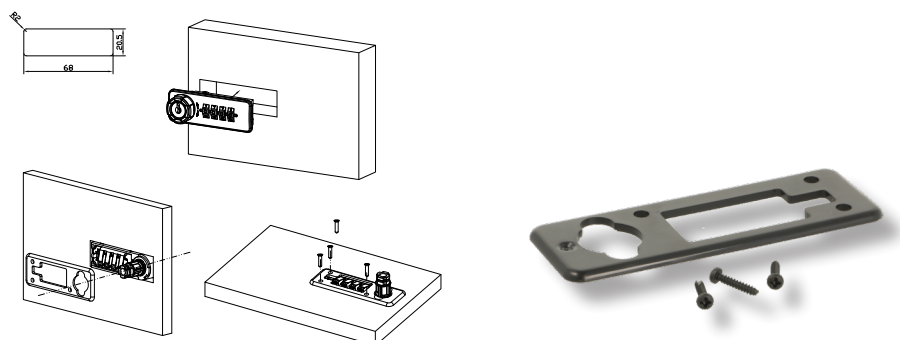
Panel thickness: 12 - 22 mm

Cutting hole: 68 x 20,5 mm

Material: Black plastic

Incl. 3 screws

Item No. # 14.08.248



COMBINATION LOCK M901 - "PUBLIC" W/MASTER KEY & CODE FINDER



Application:

For drawers & cabinets

Accessories for one set:

1 lock body 73 x 20 x 15,5 mm (L/W/D)
1 straight cam plate ce: 40 mm

Specifications:

Plastic lock housing - black
Horizontal installation 4 black plastic digits
from 0 - 9
Public version ONLY
90° turn - right or left hand version
W/master key system code #J13
& code finder.
F/0,8-1 mm metal panels or 14-19 mm
wooden doors by use of extra back plate.

Item No.:

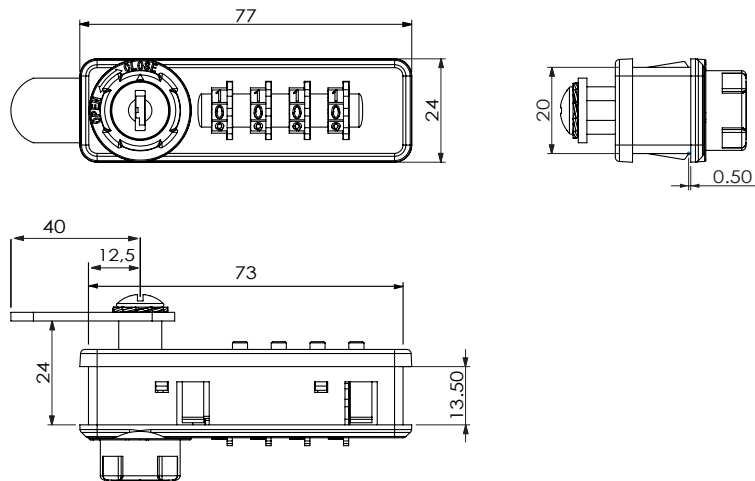
| | |
|-----------------|---------------|
| Right hand | # 14.08.240 |
| Left hand | # 14.08.241 |
| Master key #J13 | # 14.04.123-5 |



Right



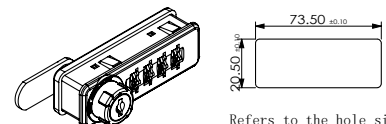
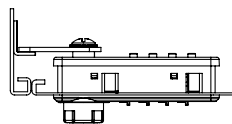
Left



Installation diagram

0.8~1.0mm.
Installation method 1: Clamp the steel door
with the lock body, the thickness of the door
it is 0.8~1.0mm.

14~19.5mm.
Installation method 2: Use the back panel to
lock the wooden door, the thickness of the
door it is 14~19.5mm.



Refers to the hole size

BACK PLATE F/LOCK M901 F/WOODEN PANELS

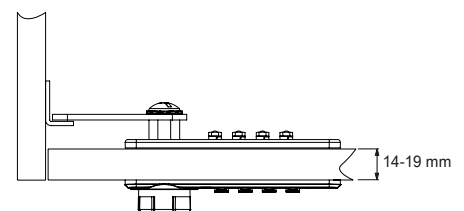
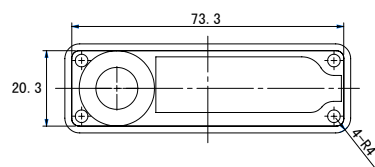
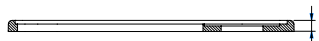
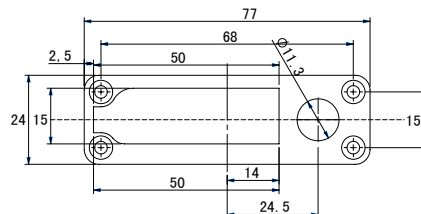
Panel thickness: 14 - 19 mm

Size: 77 x 24 x 4 (L/W/D)

Material: Black plastic

Incl. 4 screws \varnothing 3 x 16 mm
& 4 screws in \varnothing 3 x 20 mm

Item No. # 14.08.245-9



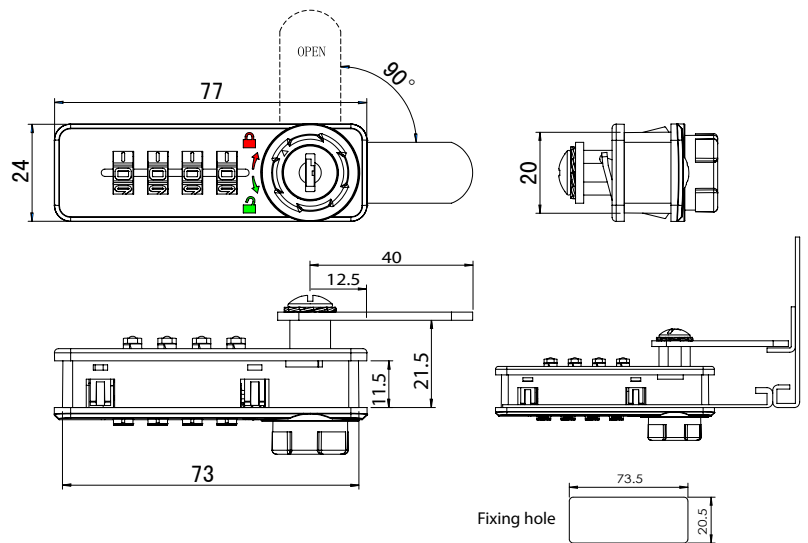
Application:
For drawers & cabinets

Accessories for one set:
1 lock body 73 x 20 x 15,5 mm (L/W/D)
1 straight cam plate C/E: 40 mm

Specifications:
Plastic lock housing – black
Horizontal installation 4 black plastic digits from 0 – 9
Private version ONLY
90° turn – right or left hand version
W/master key system code #J13 & code finder.
F/0,8-1 mm metal panels or 14-19 mm wooden doors by use of extra back plate.

Item No.:

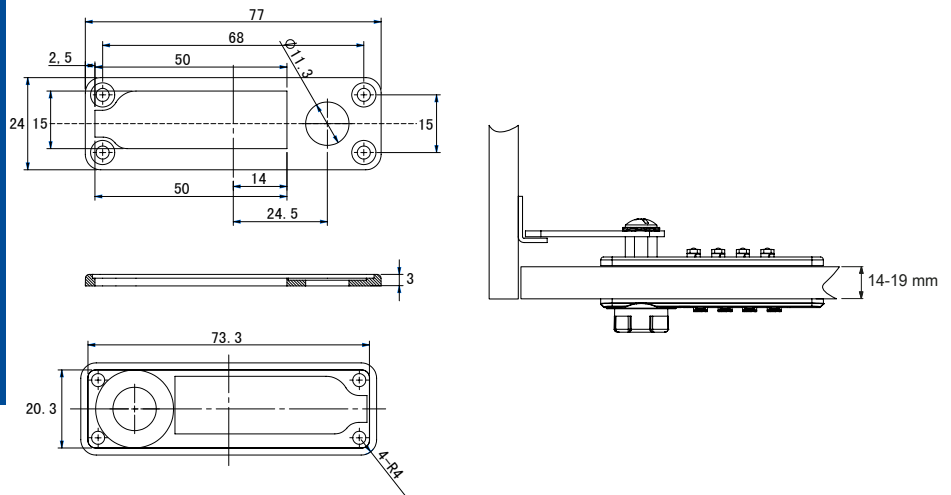
| | |
|-----------------|---------------|
| Right hand | # 14.08.242 |
| Left hand | # 14.08.243 |
| Master key #J13 | # 14.04.123-5 |



BACK PLATE F/LOCK M906 F/WOODEN PANEL

Panel thickness: 14-19 mm
Size: 77 x 24 x 4 (L/W/D)
Material: Black plastic
Incl.: 4 screws Ø3 x 16 mm
4 screws Ø3 x 20 mm

Item No. # 14.08.245-9



COMBINATION CAM LOCK M266 - "PRIVATE" W/MASTER KEY, CODE FINDER & SCRAMBLE FUNCTION



Application:

For metal drawers & wooden cabinets

Accessories for one set:

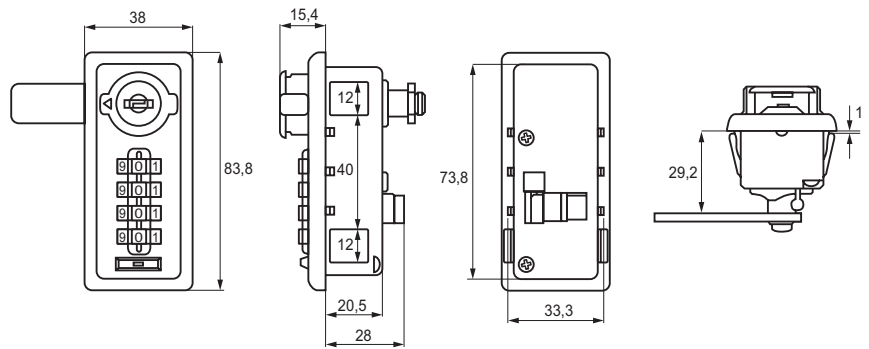
- 1 Lock body 73,8 x 33,3 x 20,5 mm (L/W/D)
- 1 straight cam plate c.e.: 44,7 mm
- 1 lock washer
- 1 hex nut

Specifications:

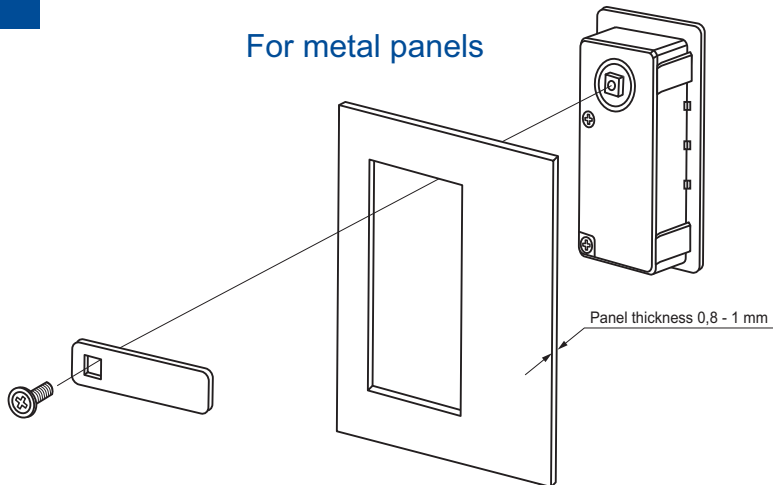
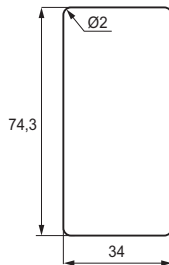
- ABS lock housing
- Cylinder inner core made of zamak
- Cam and hex nut made of steel, NPL
- 4 digits from 0 - 9
- 180° turn
- Right or left hand version
- W/scramble function
- W/master key system code D001 & code finder
- F/ 0,8 to 1 mm metal panel thickness
or for 16 - 21 mm wood thickness by use
of metal front plate

Item No.:

- Right Hand: # 14.08.605
- Left Hand: # 14.08.606
- Master key: # 14.08.252



For metal panels

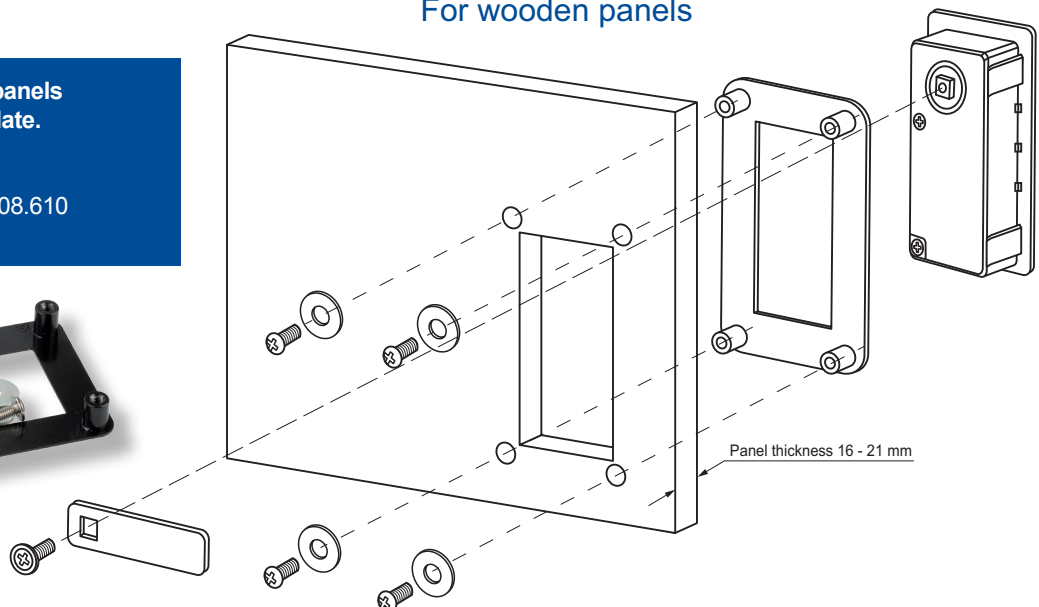


For wooden panels

Application for wooden panels
by optional metal front plate.

Item No.

- Metal black # 14.08.610
- White on request



Application:

For wooden and metal furniture

Accessories for one set:

- 1 lock body 92,9 x 29,4 x 46,1 (L/W/D)
- 1 straight cam plate ce: 44,7 mm
- 1 rectangular plastic rosette/frame

Specifications:

- ABS lock housing – black
- Private version
- Horizontal installation
- 4 black plastic digits
- 90° turn – right or left hand version
- W/master key system code A301
- W/code finder by use of master key
- W/Anti-theft knob (Cannot be forced open)
- F/panel thickness 0,8 to 22 mm by use of various back plates
- May be installed on the surface by use of special back plate

Item No.:

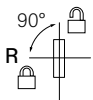
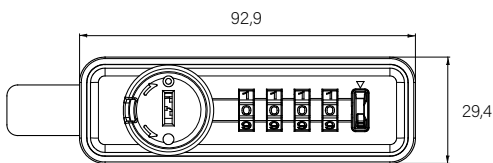
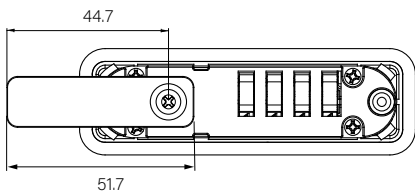
- Right hand # 14.08.225
- Left hand # 14.08.226
- Master key A301 # 14.08.256



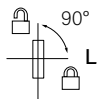
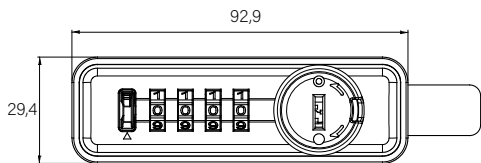
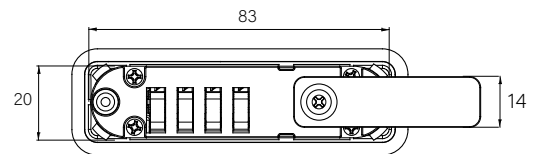
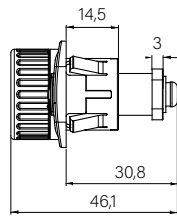
Right



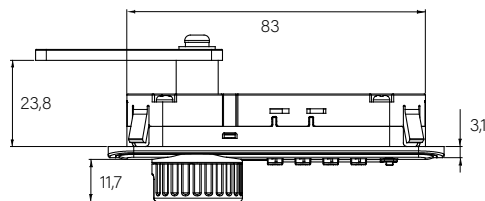
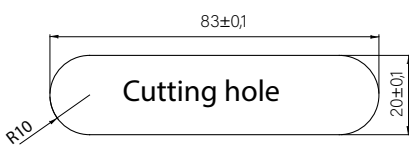
Left



Right hand



Left hand



COMBI. CAM LOCK M3002 – “PUBLIC” – W/MASTER KEY, CODE FINDER & ANTI-THEFT KNOB



Application:

For wooden and metal furniture

Accessories for one set:

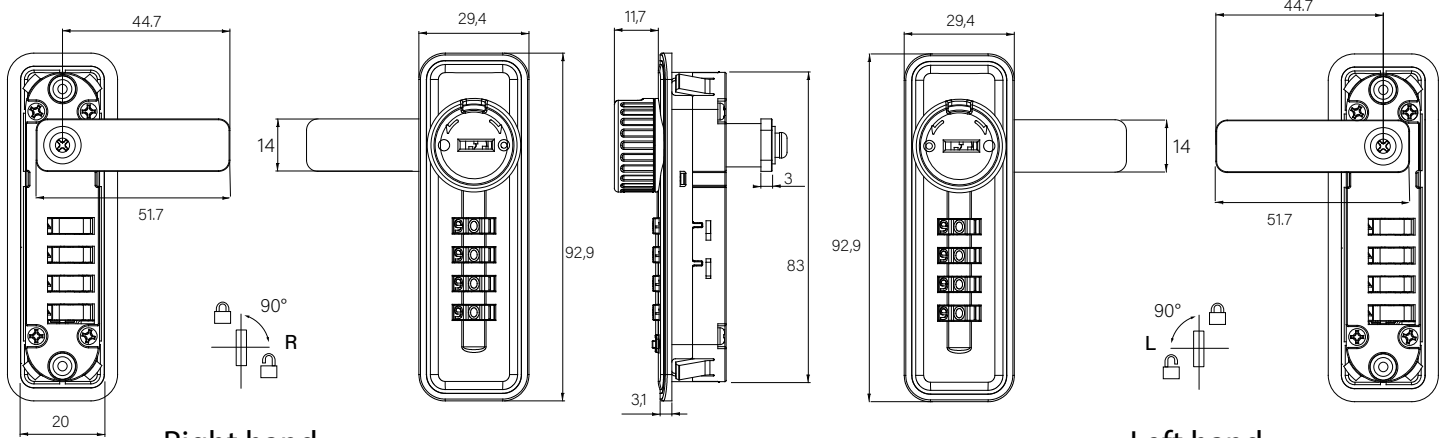
- 1 lock body 92,9 x 29,4 x 46,1 (L/W/D)
- 1 straight cam plate ce: 44,7 mm
- 1 rectangular plastic rosette/frame

Specifications:

- ABS lock housing – black
- Public version
- Vertical installation
- 4 black plastic digits
- 90° turn – right or left hand version
- W/master key system code A301
- W/code finder by use of master key
- W/Anti-theft knob (Cannot be forced open)
- F/panel thickness 0,8 to 22 mm by use of various back plates
- May be installed on the surface by use of special back plate

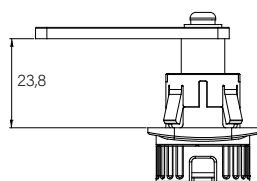
Item No.:

- Right hand # 14.08.230
- Left hand # 14.08.231
- Master key A301 # 14.08.256



Right hand

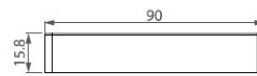
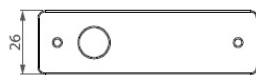
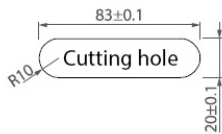
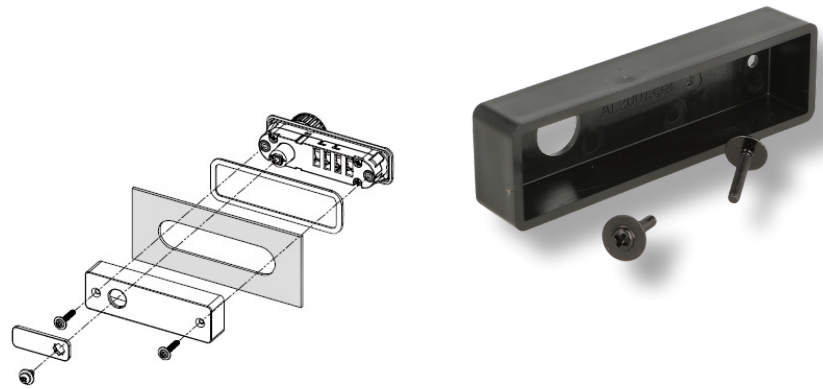
Left hand



BACK PLATE FOR 0,8 – 8MM PANELS

For lock M3001 & M3002
 Panel thickness: 0,8 – 8 mm
 Cutting hole: 83 x 20 mm
 Material: Black ABS
 Incl. 2 x M3 x 16mm screws

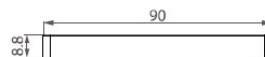
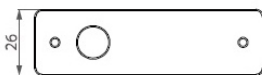
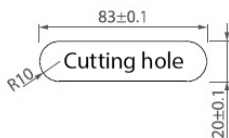
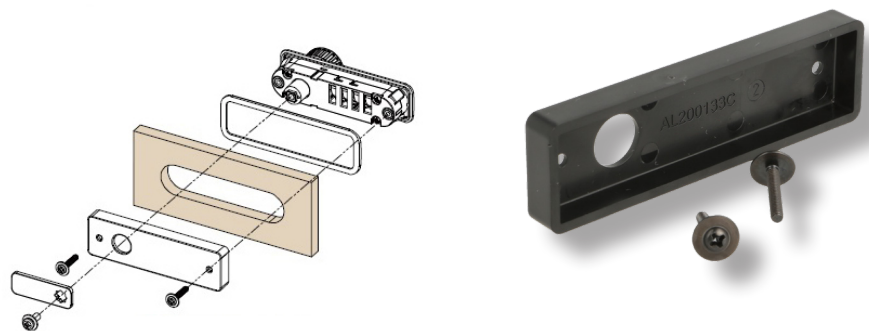
Item No.: # 14.08.235



BACK PLATE FOR 8 – 16MM PANELS

For lock M3001 & M3002
 Panel thickness: 8 – 16 mm
 Cutting hole: 83 x 20 mm
 Material: Black ABS
 Incl. 2 x M3 x 16mm screws

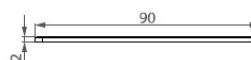
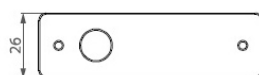
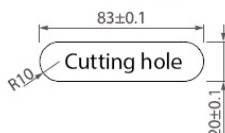
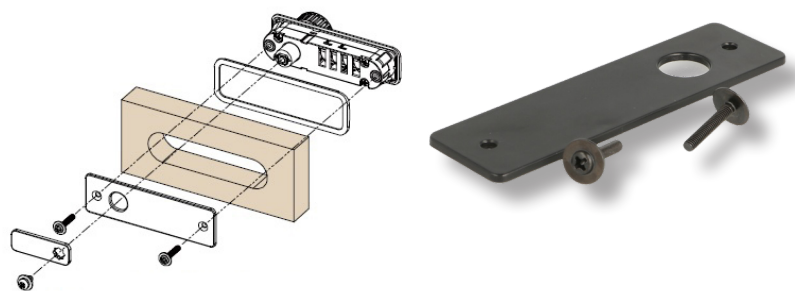
Item No.: # 14.08.236



BACK PLATE FOR 16 – 22MM PANELS

For lock M3001 & M3002
 Panel thickness: 16 – 22 mm
 Cutting hole: 83 x 20 mm
 Material: Black ABS
 Incl. 2 x M3 x 16mm screws

Item No.: # 14.08.237



HANDLES FOR COMBINATION CAM LOCK M3001 & M3002

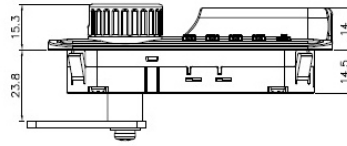
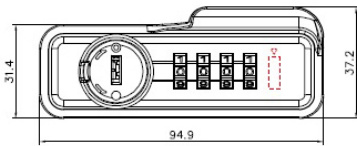
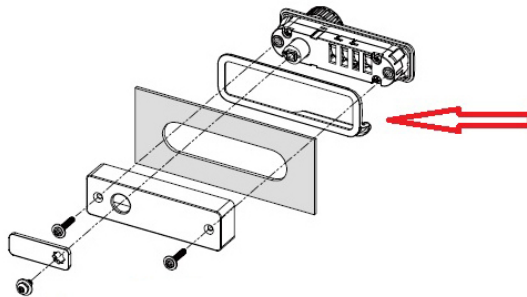


PULL HANDLE

For lock M3001 & M3002

Material: Black ABS

Item No.: # 14.08.238



SURFACE MOUNT HANDLE/HOUSING

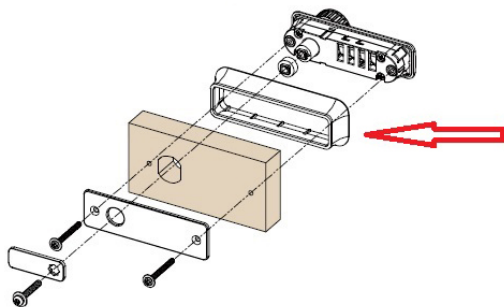
For lock M3001 & M3002

Panel thickness: 16 – 22 mm
Incl. 14,7 mm long cylinder extension & back plate 14.08.237
Material: Black ABS

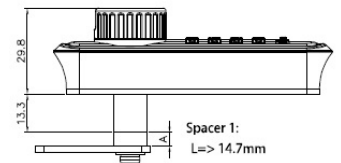
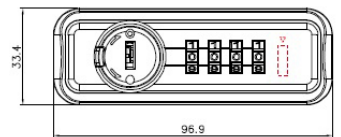
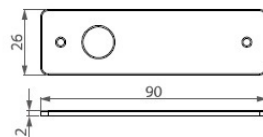
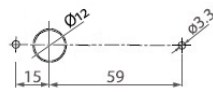
Item No.: # 14.08.239



Panel thickness: 16-22mm



drilling template



Spacer 1:
L > 14.7mm

Application:

For cabinets with sliding doors

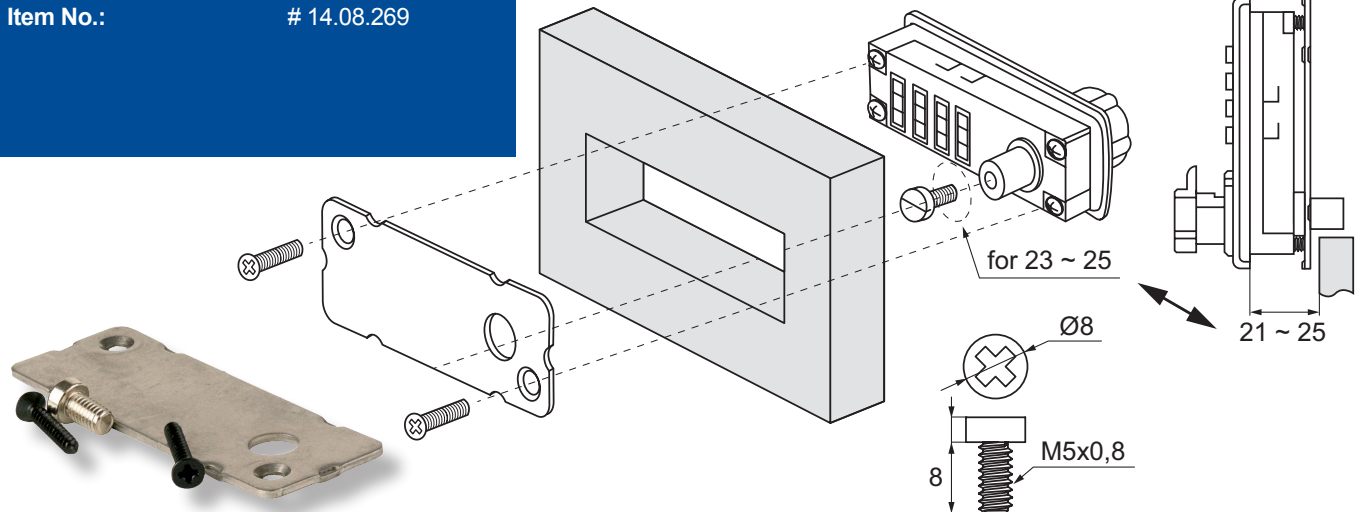
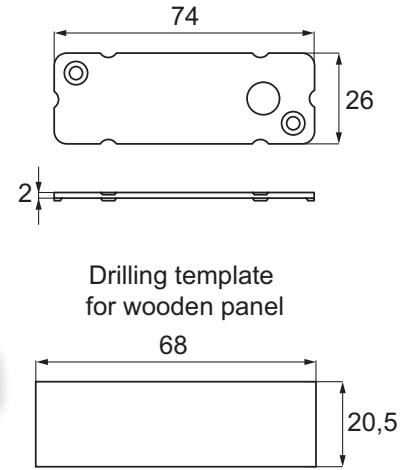
Accessories for one set:

- 1 lock body 75 x 25 x 18 mm (L/W/D)
- 1 metal back plate 74 x 26 x 2 mm (L/W/D)
- 2 fixing screws
- 1 prolongation screw M5 x 8 mm

Specifications:

ABS lock housing - black
Vertical installation
4 black plastic digits from 0 - 9
Public or private setting by use of switch button
W/master key system code D0001 & code finder
F/16-20 mm wooden doors or for 0,6 - 1 mm metal panels by use of extra back plate

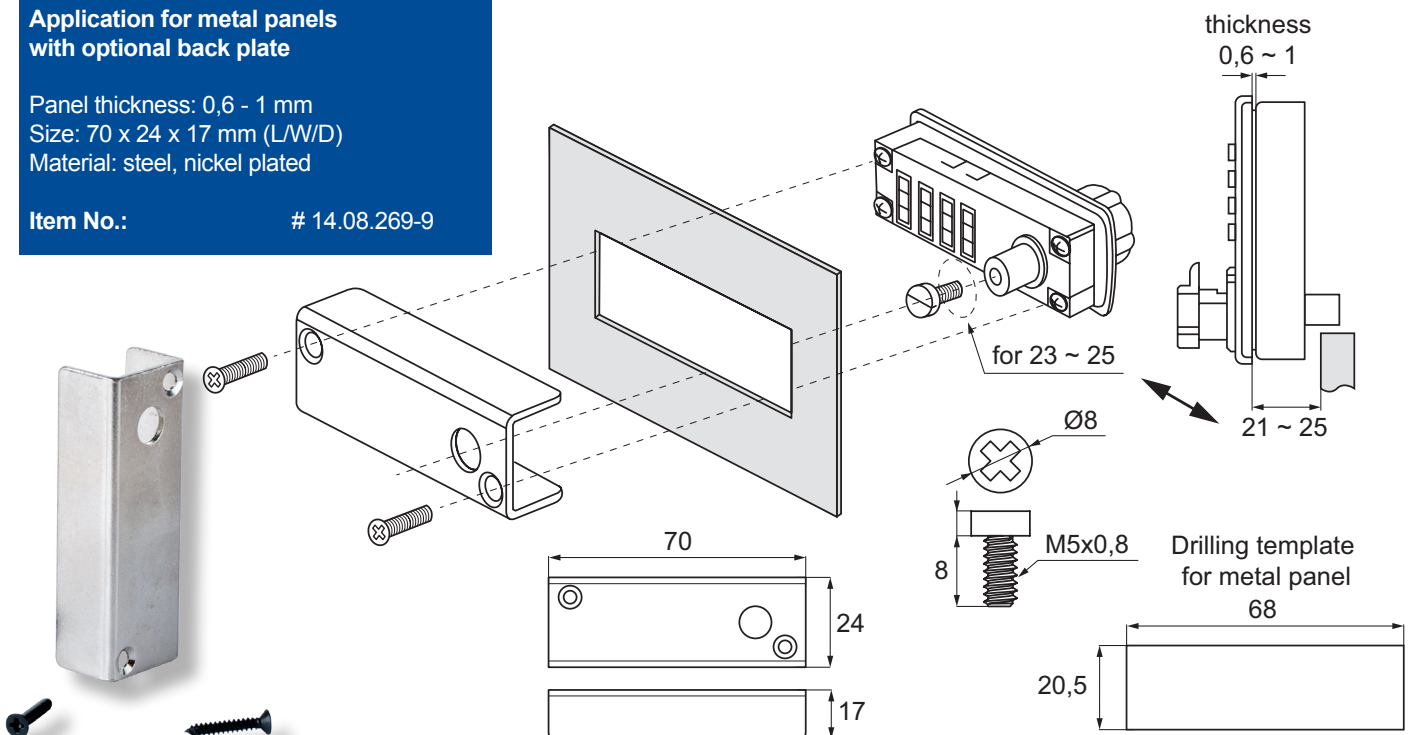
Item No.: # 14.08.269



Application for metal panels with optional back plate

Panel thickness: 0,6 - 1 mm
Size: 70 x 24 x 17 mm (L/W/D)
Material: steel, nickel plated

Item No.: # 14.08.269-9



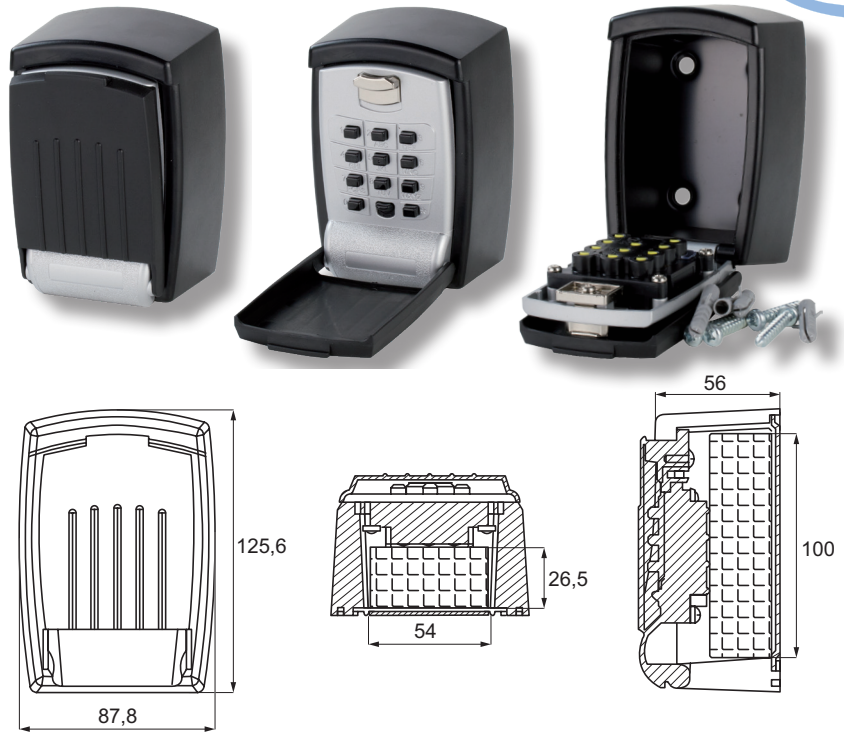
KEY STORAGE BOX

Application:
F/storage of keys
Wall mounting

Accessories for one set:
1 lock housing 88 x 126 x 56 mm
(W/H/D)
4 wall plugs
4 wall screws

Specifications:
Aluminum lock housing - black
Zamak key pad - silver
ABS front cover - black
9 push buttons
Personal key setting

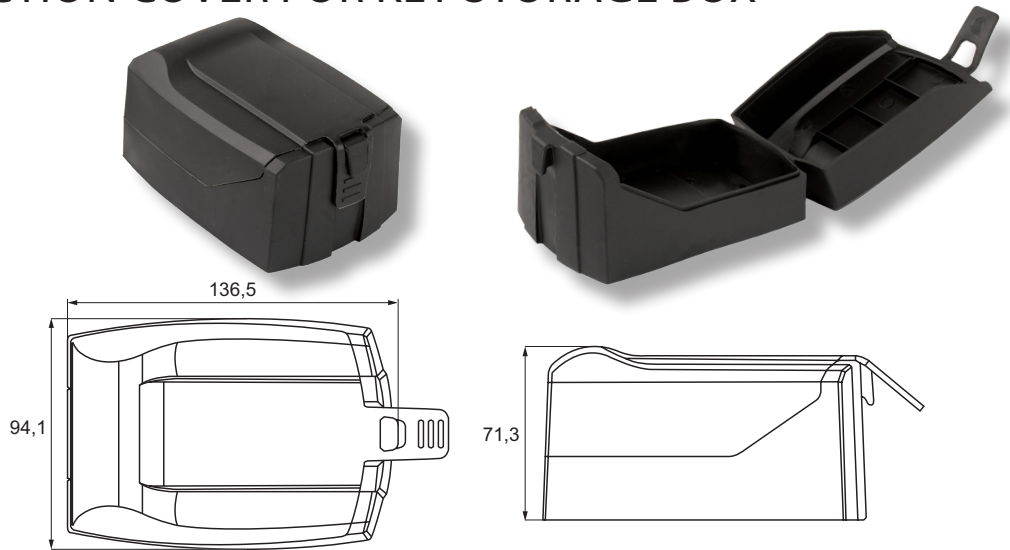
Item No.: # 14.08.155



PROTECTION COVER FOR KEY STORAGE BOX

Material: Black rubber

Item No.: # 14.08.154

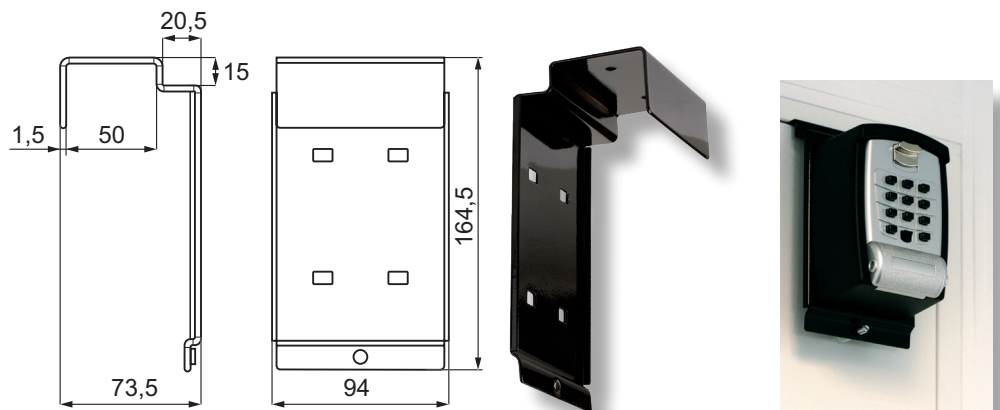


DOOR BRACKET F/KEY STORAGE BOX 14.08.155

Application:
Door bracket f/40-50 mm
door thickness

Specifications:
1 steel bracket - black
4 screws
4 hex nuts
1 threaded rod w/soft tip

Item No.: # 14.08.156-9



Application.

F/storage of keys
Wall mounting

Specifications:

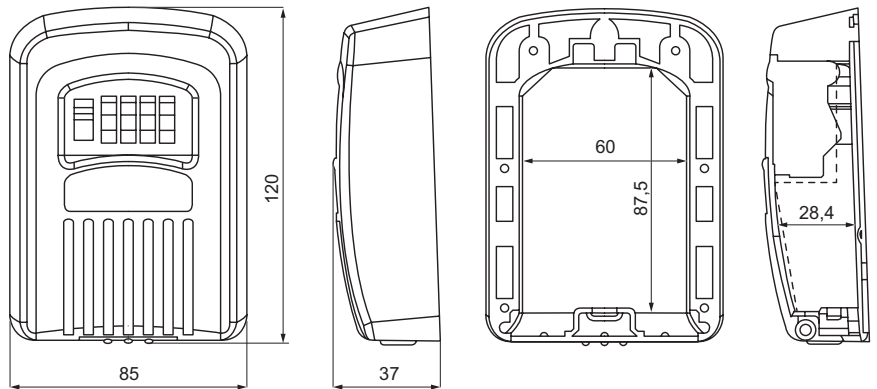
1 lock housing 85 x 120 x 37 mm (W/H/D)
4 wall plugs
4 wall screws

Specifications:

Aluminum lock housing - black
Zamak lid - silver
Steel back plate - black
ABS dust cover
4 digits from 0 - 9
Pre-coded 0000. Code can be reset.

Item No.:

Lock # 14.08.150



KEY STORAGE PADLOCK

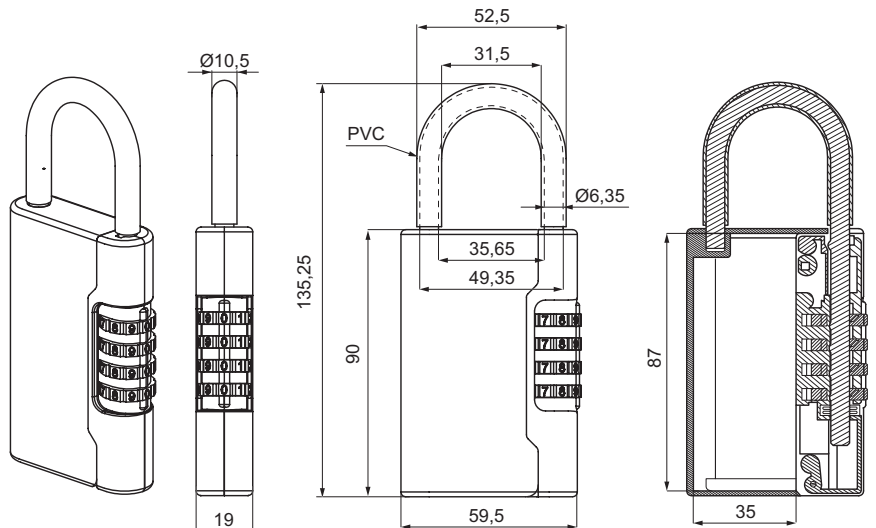
Specifications:

Material: Steel
Size: 90 x 59,5 mm
Rubber coated shackle: $\varnothing 10,5 \times 52,5$ mm

4 Digits from 0 - 9
Pre-coded 0000. Code can be re-set.
Finish: Black

Item No.:

14.08.153



ELECTRONIC KEY STORAGE BOX W/CODE PANEL & BLUETOOTH



Application:
For storage of keys. Ideal for Airbnb rental.
Operated by use of 4 digit pin or via bluetooth
("SUO" App)

Accessories for one set:
1 zamak lock body - black
4 x wall plugs
4 x wall screws

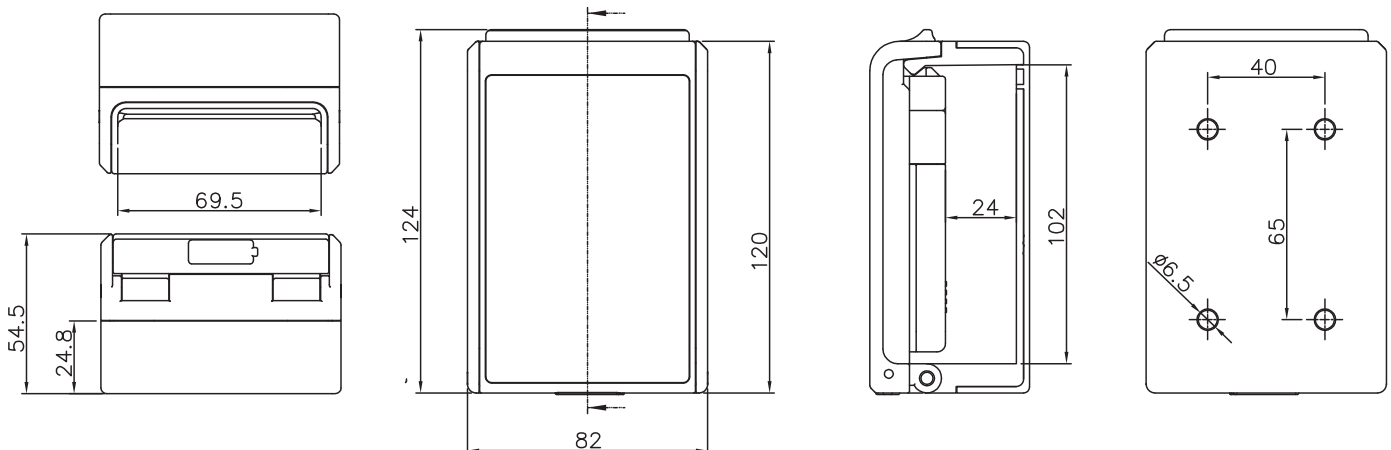
Size:
Outer dimensions 124 x 82 x 54,5mm (H/W/D)
Inner dimensions 102 x 67 x 24,8 (H/W/D)

Specifications:
12 keys touchscreen lighting keypad
Powered by 4 x AAA Batteries (NOT included)
Battery lifetime: 3000 times lock/unlock
Working temperature: -5 degrees to 55 degrees Celsius
Working humidity: 25~75 %
IP rating: IP55
CE/FCC certified
REACH & Rohs certified

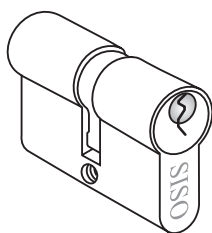
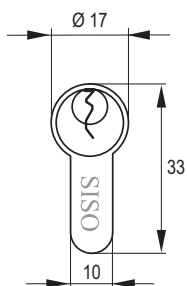
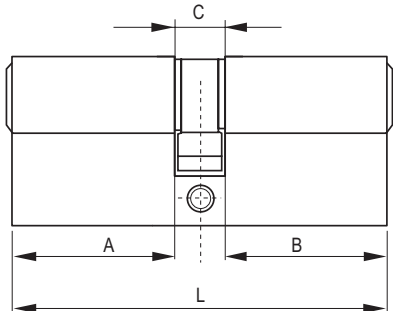
Features:
With master code function
Max 10 users pr. lock
Max 10 guests pr. lock
Automatic locking when lid is closed
Alarm function after 20 sec. if lock is not locked
Keypad lockout function by use of wrong code (5 attempts)
"SUO" App available for IOS & Android
App history records (last 40 entries)
Share password via "SUO" App
Time limited access via "SUO" App
Low battery warning
Micro USB for external power supply

User manuals & videos may be found on:
www.siso.dk

Item No.: # 14.08.157



Euro Profile Cylinders Yale or FAB keyway 1 mounting screw 65 mm and 3 brass keys - 5 pins



| Item No.: | L | A | B | C | FINISH |
|--------------|------|------|----|-----|-----------------------------|
| #14.60.037-9 | 41 | 26 | 10 | 5 | SS-look - Yale keyway |
| #14.60.037 | 62 | 26 | 26 | 10 | SS-look - Yale keyway |
| #14.60.038 | 62 | 26 | 26 | 10 | Brass satin - Yale keyway |
| #14.60.071 | 64,5 | 30,2 | 25 | 9,3 | Brass polished - FAB keyway |
| #14.60.074 | 64,5 | 30,2 | 25 | 9,3 | SS-look - FAB keyway |
| #14.60.117 | 70 | 25 | 35 | 10 | Brass polished - FAB keyway |
| #14.60.118 | 70 | 25 | 35 | 10 | Nickel Plated - FAB keyway |
| #14.60.115 | 70 | 30 | 30 | 10 | Brass polished - FAB keyway |
| #14.60.116 | 70 | 30 | 30 | 10 | SS-look - FAB keyway |
| #14.60.131 | 75 | 30 | 35 | 10 | Brass polished - FAB keyway |
| #14.60.132 | 75 | 30 | 35 | 10 | SS-look - FAB keyway |
| #14.60.113 | 80 | 25 | 45 | 10 | SS-look - FAB keyway |
| #14.60.046 | 80 | 25 | 45 | 10 | Brass satin - Yale keyway |
| #14.60.114 | 80 | 25 | 45 | 10 | Brass polished - FAB keyway |
| #14.60.119 | 80 | 30 | 40 | 10 | Brass polished - FAB keyway |
| #14.60.120 | 80 | 30 | 40 | 10 | SS-look - FAB keyway |
| #14.60.121 | 80 | 35 | 35 | 10 | Brass polished - FAB keyway |
| #14.60.122-0 | 80 | 35 | 35 | 10 | SS-look - FAB keyway |
| #14.60.133 | 85 | 30 | 45 | 10 | Brass polished - FAB keyway |
| #14.60.125 | 90 | 30 | 50 | 10 | Brass polished - FAB keyway |
| #14.60.126 | 90 | 30 | 50 | 10 | SS-look - FAB keyway |
| #14.60.123 | 90 | 35 | 45 | 10 | Brass polished - FAB keyway |
| #14.60.124 | 90 | 35 | 45 | 10 | Nickel Plated - FAB keyway |
| #14.60.127 | 95 | 35 | 50 | 10 | Brass polished - FAB keyway |
| #14.60.128-0 | 95 | 35 | 50 | 10 | SS-look - FAB keyway |

Cylinders w/Master key system (Yale keyway)

| Item No.: | L | A | B | C | FINISH | SYSTEM |
|------------|----|----|----|----|----------|--------|
| #14.60.039 | 62 | 26 | 26 | 10 | SS-look | #M1 |
| #14.60.040 | 62 | 26 | 26 | 10 | SS-look | #M2 |
| #14.60.043 | 62 | 26 | 26 | 10 | Alu Look | #M3 |
| #14.60.044 | 62 | 26 | 26 | 10 | Alu Look | #M4 |

Master keys (Yale keyway)

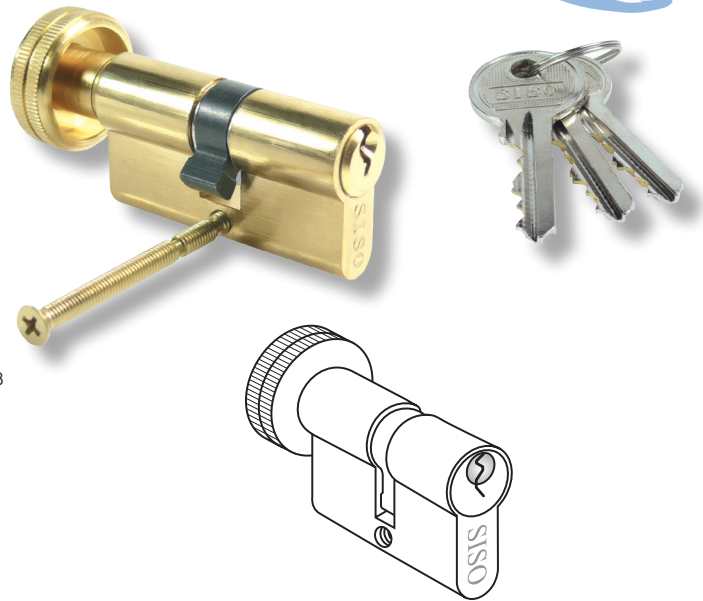
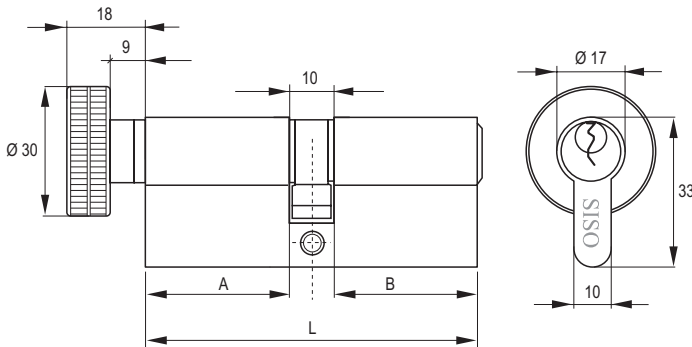
| Item No.: | SYSTEM |
|--------------|--------|
| #14.60.041-0 | #M1 |
| #14.60.042-0 | #M2 |
| #14.60.041-5 | #M3 |
| #14.60.041-6 | #M4 |

SOLID BRASS PROFILE CYLINDERS



Cylinder w/Knob #4 - Yale keyway

| Item No.: | L | A | B | Finish |
|-----------|----|----|----|-------------|
| 14.60.027 | 60 | 25 | 25 | Brass Satin |

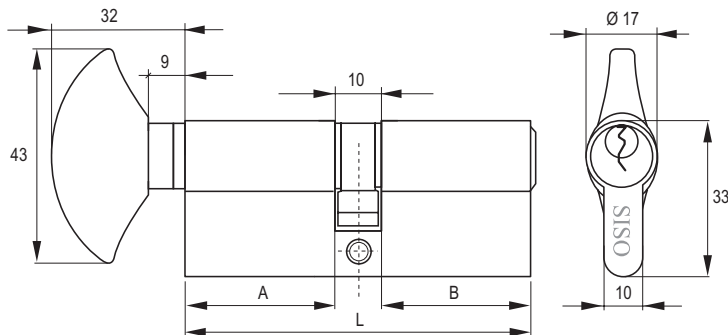


Cylinder w/Knob #2 - Yale keyway

With Master Key system #M3
Incl. 3 brass keys with SISO logo

| Item No.: | L | A | B | Finish | Master key system |
|-----------|----|----|----|----------------|-------------------|
| 14.60.028 | 60 | 25 | 25 | Brass Polished | NO |
| 14.60.032 | 62 | 26 | 26 | SS-lock | System #M3 |

Master key:
Item No.:
System #M3 # 14.60.041-5

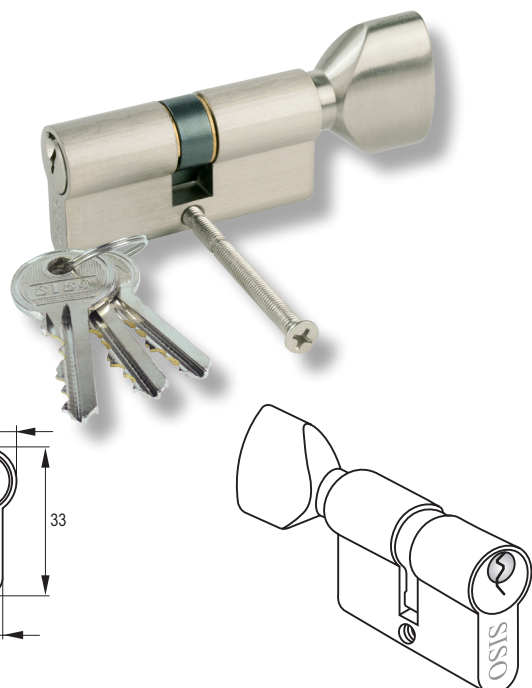
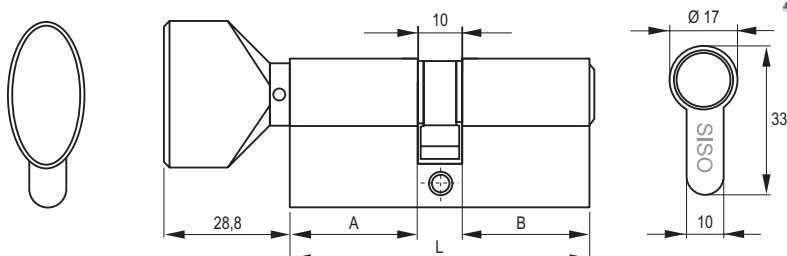


Cylinder w/Knob #3 - Yale keyway

With Master Key system #M3
Incl. 3 brass keys with SISO logo

| Item No.: | L | A | B | Finish | Master key system |
|-----------|----|----|----|----------|-------------------|
| 14.60.033 | 62 | 26 | 26 | SS-lock | System #M3 |
| 14.60.047 | 62 | 26 | 26 | Alu Look | System #M3 |

Master key:
Item No.:
System #M3 # 14.60.041-5



MORTISE DOOR LOCK NO. 8788

Application:

Lock case for use as a supplementary lock in entrance doors, gates and swing doors.

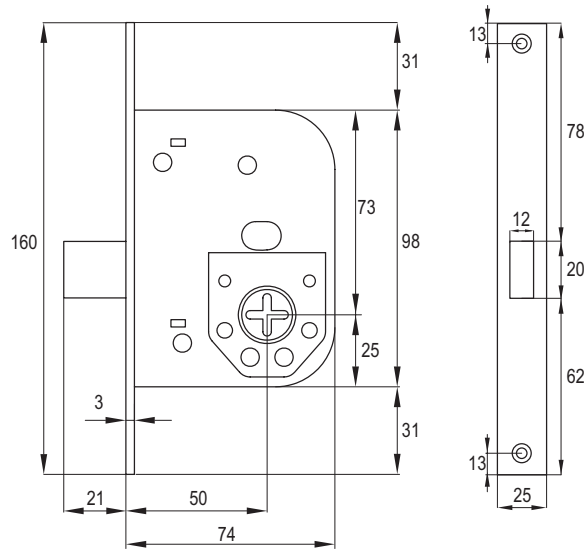
Material:

Steel

Specifications:

Lock body 98 x 74 mm - zinc plated
 Front plate 25 x 150 mm - SS look
 Backset: 50 mm
 Deadbolt - operated by key - 360° turn
 F/Scandinavian cylinders

Item No.: # 14.60.072



MORTISE DOOR LOCK NO. 9045

Application:

Lock case for exterior and interior doors, offices, industrial buildings, etc.

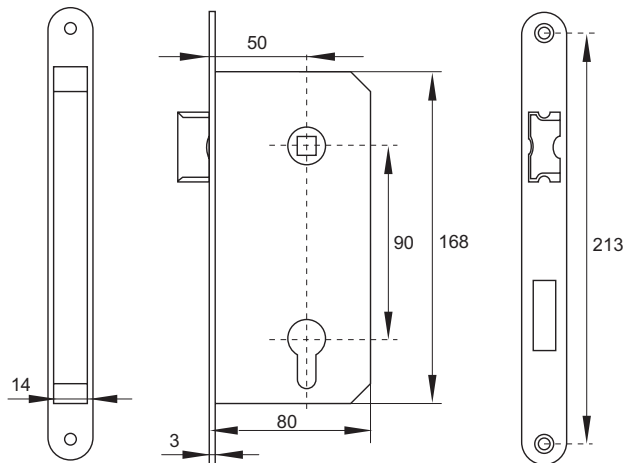
Material:

Steel

Specifications:

Lock body 168 x 80 mm - white lacquered
 Front plate 22 x 240 mm - white lacquered
 Striking plate 24 x 25 x 190 mm - white lacquered
 Backset: 50 mm
 Distance between axes: 90 mm
 Deadbolt - operated by key - 90° turn
 W/lever latch - activated by handle or key
 Rotational latch bolt for left/right hand application
 F/Euro profile cylinders

Item No.: # 14.60.053



MORTISE LOCK NO. 9403

3 keys, screws and striker

20 mm backset - mainly developed for aluminium sliding doors

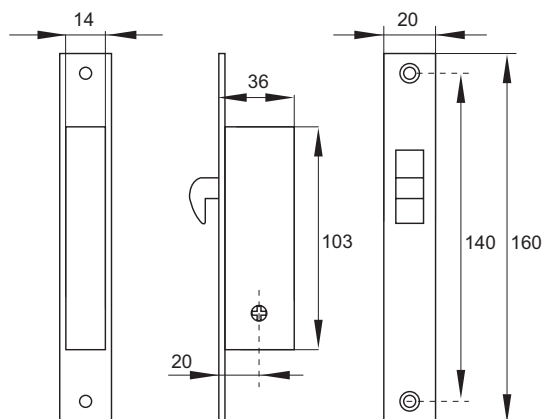
Finish:

Chrome plated

Item No.:

Key alike # 14.60.049

Key different # 14.60.050



Application:

Lock for interior doors. It can be locked with either a key or a toilet thumb turn. Lock handing can easily be changed by pulling out the latch bolt and turning it 180° clockwise. The lock can be used with a lever handle only or with both a lever handle and a key or a toilet thumb turn.

Material:

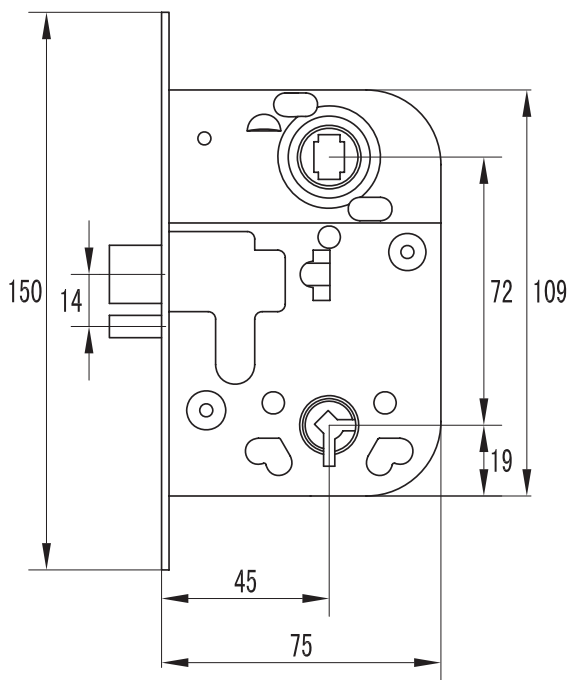
Steel

Specifications:

Lock body 109 x 75 mm
 Front plate 20 x 150 mm
 Backset: 45 mm
 Distance between axes: 72 mm
 Deadbolt - operated by key - 90° turn
 Rotational latch bolt - activated by handle

Item No.:

BRZ Painted - W/Zamak NPL key # 14.60.060
 CPL Painted - W/Zamak NPL key # 14.60.061



Additional key F/lock #2014:

Item No.: # 14.10.293



CYLINDER LOCK CASE NO. 2016 - FOR INTERIOR DOORS

Application:

Cylinder lock case for interior doors. It can be locked using a key or a thumb turn. In locked position, the deadbolt protrudes 14 mm. Lock handing can easily be changed by pulling out the Latch bolt and turning it 180° clockwise.

Material:

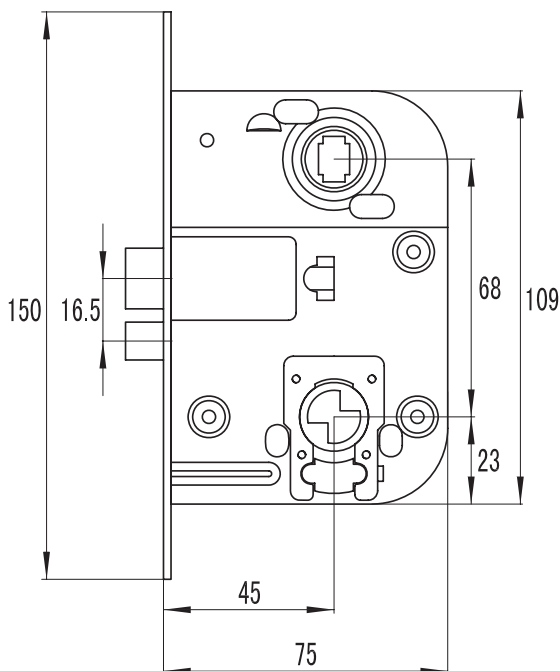
Steel, chrome plated

Specifications:

Lock body 109 x 75 mm
 Front plate 20 x 150 mm
 Backset: 45 mm
 Distance between axes: 68 mm
 Deadbolt – operated by key – 90° turn
 Rotational latch bolt - activated by handle
 F/Scandinavian cylinders

Item No.:

Chrome Plated # 14.60.063



Application:

For lockers at sport facilities & super markets.

Accessories for one set:

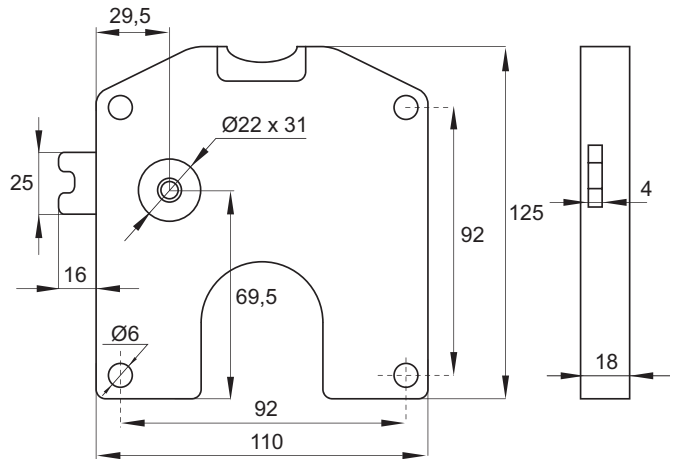
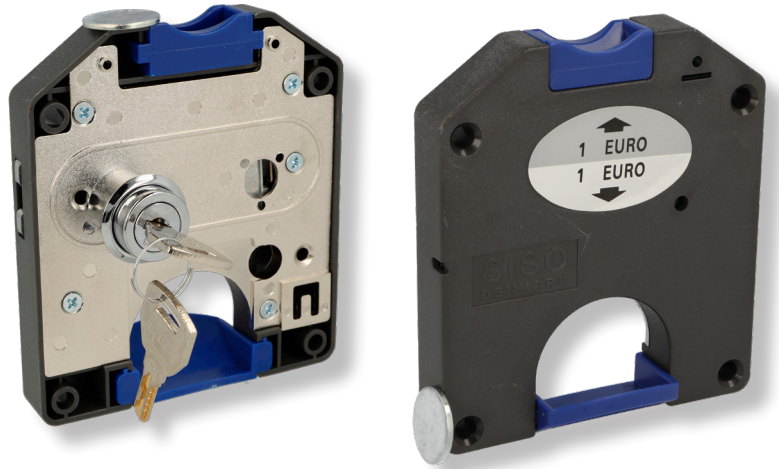
- 1 lock w/cylinder Ø22 x 31 mm
- 1 steel rosette
- 1 coin tray in blue ABS
- 2 SISO brass snake keys

Specifications:

Black & blue ABS housing
 Nickel plated zamak cylinder.
 Innercore made of brass.
 1000 key combinations
 W/master key & interchangeable system (MIC)
 Left (L) or right hand (R) versions

Item No.:

- 5 HRK - Croatia # 14.60.243 (R)
- 1 BGN - Bulgaria # 14.60.245-1/246 (L/R)
- 2 PLN - Poland # 14.60.247-0/247-1 (L/R)
- 1 EURO - Euro zone # 14.60.250-0/249-1 (L/R)
- 2 EURO - Euro zone # 14.60.253/252 (L/R)
- 10 DKK - Denmark # 14.60.271-1/270-1 (L/R)



← Coin deposit lock and coin collector box built together

COIN COLLECTOR BOX

Application:

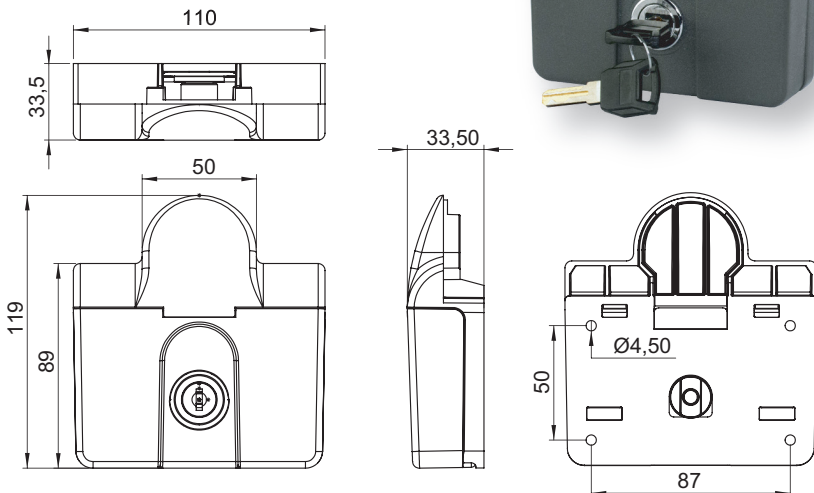
Suitable for SISO coin locks

Specifications:

Black PA housing
 Zamak cam lock - nickel plated
 W/2 SISO steel snake keys
 W/master key & interchangeable system #5 (MIC)
 1000 key combinations

Item No.:

- Box: # 14.60.210
- Master key: # 14.60.212
- Interchangeable key: # 14.60.213



Application:

Suitable for metal or wood lockers, wardrobes, drawers or cabinets

Accessories for 1 lock:

- 1 ABS housing w/turning knob - 93 x 38 x 14 mm
- 1 zamak cylinder \varnothing 16 x 29 mm
- 1 steel cam plate c.e: 47 mm
- 1 L-shaped metal striker
- 1 fixing hex nut

Specifications:

- 90° turn
- Master code function.
- Micro USB for external power supply.
- Vertical or horizontal installation.
- Touch keypad - 6-figure code needed.
- Power by button-cell battery CR 2032 (NOT included).
- Available as public or private version.
- Working temperature: -5° - +50° Celsius.
- Working humidity: 20 - 80%.

Item No.:

- Public – Silver/Black # 14.60.390
- Private – Silver/Black # 14.60.391

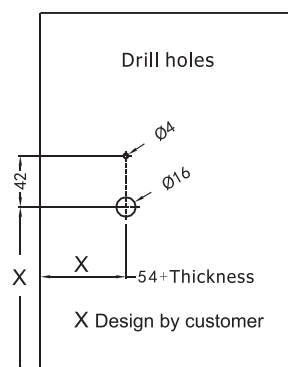
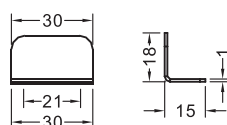
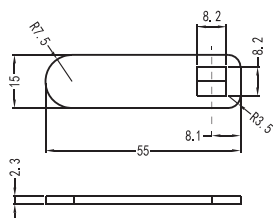
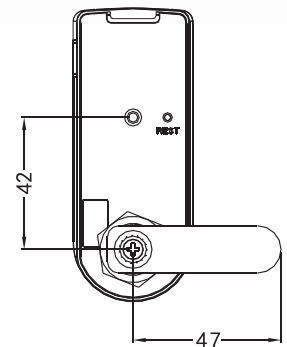
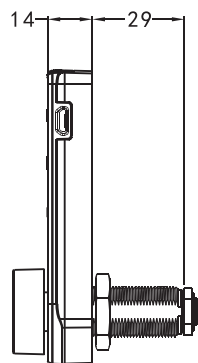
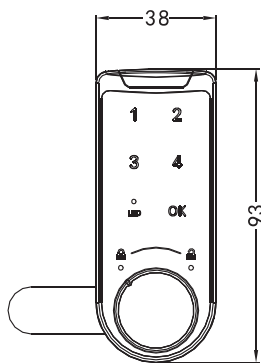
Extra protection cover if needed.
Cover for hiding USB access and battery.
Ideal when lock is used in public places.

Steel - Black anodized: # 14.60.395

Detailed user-guide on www.siso.dk



Protection cover



ELEC. COMBINATION LOCK "VIC" - VERTICAL

Application:

Suitable for drawers, lockers, cabinets and wardrobes.

Accessories for one set:

- 1 zamak housing w/turning knob 95 x 30 x 12 mm (L/W/D)
- 1 zamak cylinder size: Ø19 x 20 or Ø19 x 30 mm
- 1 straight steel cam plate C/E: 40 mm
- 1 black rubber gasket
- 3 M4 fixing screws
- 1 fixing hex nut

Specifications:

Zamak lock housing – black or white powder coated

Vertical installation

Switch freely between public & private mode

90 degree turn - Universal - No left or right

W/master key system code #07

3 levels of management. Master, sub-master and user code

For 0 - 12 mm (20mm cylinder) and 12-22 mm (30mm cylinder)

W/Auto-timer function (unlock after X hours)

IP 65 rating

Powered by CR2450 Battery (included)

EC, REACH and Rohs certified

Item No.:

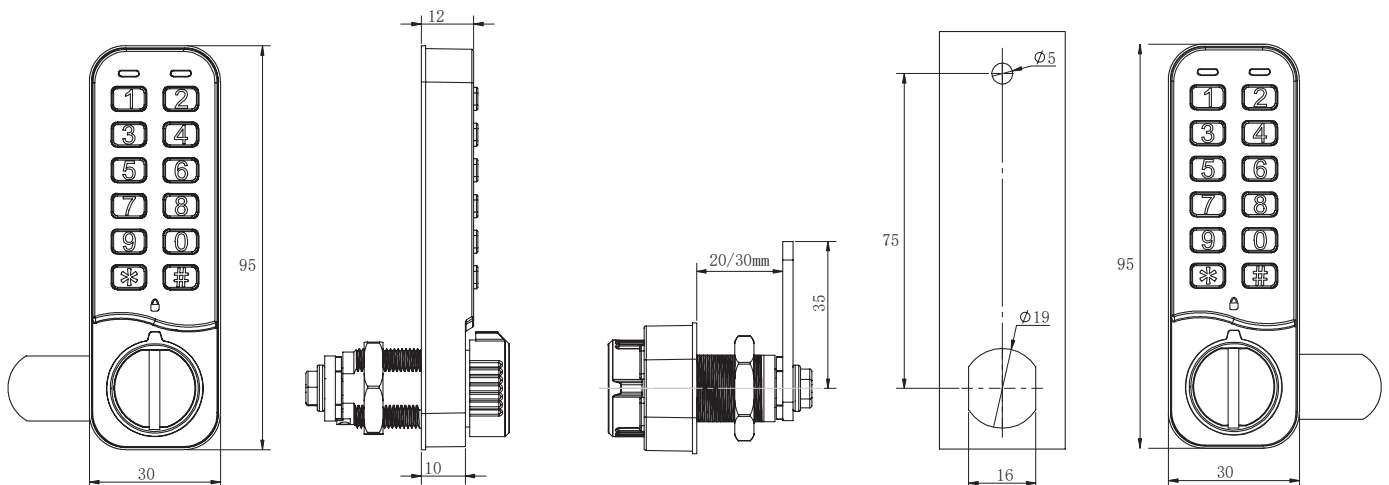
Size: Ø19 x 20 mm, Black # 14.60.410

Size: Ø19 x 20 mm, White # 14.60.411

Size: Ø19 x 30 mm, Black # 14.60.415

Size: Ø19 x 30 mm, White # 14.60.416

Master key #07 # 14.60.439



ELECTRONIC COMBINATION LOCK "VIC" - HORIZONTAL



ELEC. COMBINATION LOCK "VIC" - HORIZONTAL

Application:

Suitable for drawers, lockers, cabinets and wardrobes.

Accessories for one set:

- 1 zamak housing w/turning knob 95 x 30 x 12 mm (L/W/D)
- 1 zamak cylinder size: Ø19 x 20 or Ø19 x 30 mm
- 1 straight steel cam plate C/E: 40 mm
- 1 black rubber gasket
- 3 M4 fixing screws
- 1 fixing hex nut

Specifications:

Zamak lock housing – black or white powder coated

Horizontal installation

Switch freely between public & private mode

90 degree turn – right or left hand version

W/master key system code #07

3 levels of management. Master, sub-master and user code

For 0 - 12 mm (20mm cylinder) and 12-22 mm (30mm cylinder)

W/Auto-timer function (unlock after X hours)

IP 65 rating

Powered by CR2450 Battery (included)

EC, REACH and Rohs certified

Item No.:

Size: Ø19 x 20 mm, Right, Black # 14.60.420

Size: Ø19 x 20 mm, Right, White # 14.60.421

Size: Ø19 x 20 mm, Left, Black # 14.60.425

Size: Ø19 x 20 mm, Left, White # 14.60.426

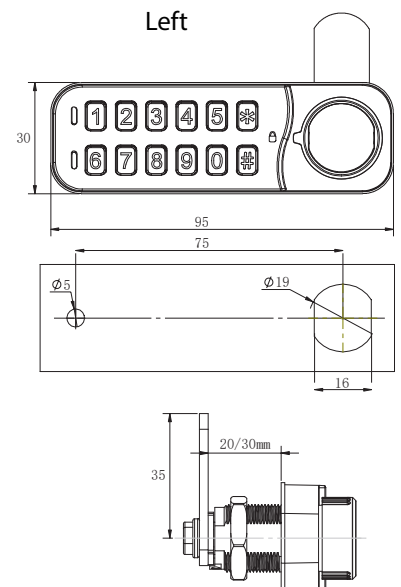
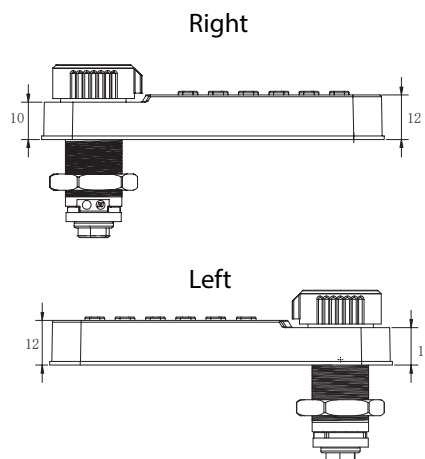
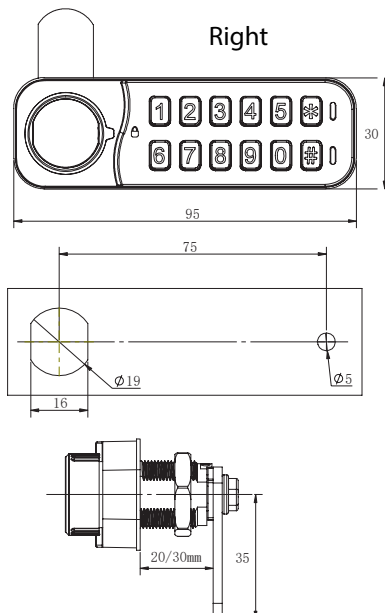
Size: Ø19 x 30 mm, Right, Black # 14.60.430

Size: Ø19 x 30 mm, Right, White # 14.60.431

Size: Ø19 x 30 mm, Left, Black # 14.60.435

Size: Ø19 x 30 mm, Left, White # 14.60.436

Master key #07 # 14.60.439



Application:

Suitable for metal or wood lockers, wardrobes, drawers or cabinets

Accessories for 1 lock:

- 1 zamak housing w/turning knob - 93 x 25 x 9,1 mm
- 1 zamak cylinder \varnothing 16,5 x 25 mm
- 1 L-shaped steel striking plate
- 1 steel cam plate ce: 32mm
- 1 spike washer
- 1 zamak fixing hex nut
- 1 needle for battery exchange

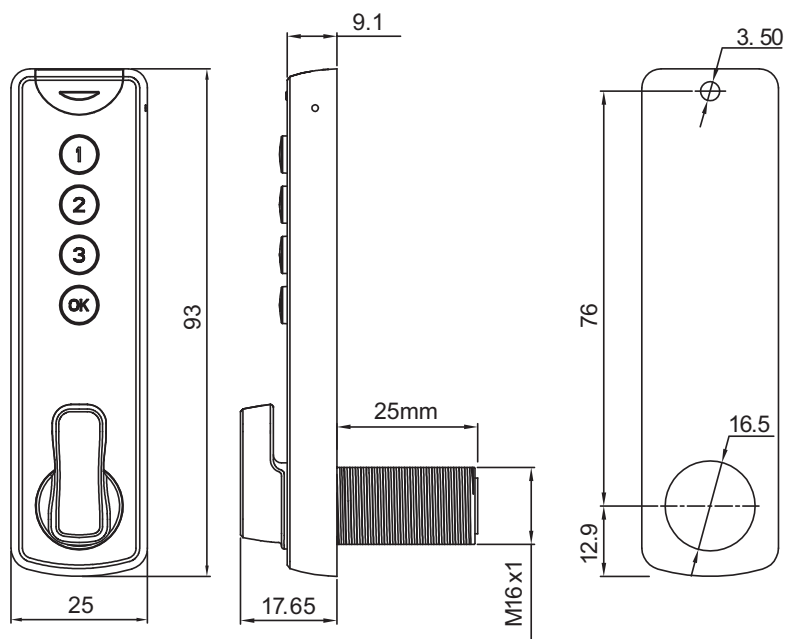
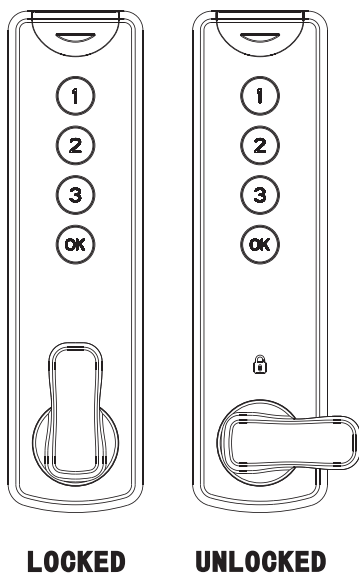
Item No.:

- Public – Silver # 14.60.396
- Public – Black # 14.60.397
- Private – Silver # 14.60.398
- Private – Black # 14.60.399

Specifications:

- 90° turn
- Master code function
- Vertical installation
- Touch keypad – 3-figure code needed
- Power by button-cell battery CR1220 (NOT included)
- Working temperature: -50 – +50° Celsius
- Working humidity: 20 – 80 %
- Available as public or private version.

Detailed user-guide on www.siso.dk



ELECTRONIC COMBINATION SLAM LOCK – “PUBLIC/PRIVATE”



Application:

Suitable for swim- & sauna bathing spots, golf course, Oil rigs, Enterprises, schools, hotels & super market storage cabinets

Accessories for one set:

1 zamak lock panel - 56,1 x 14 x 85,9 mm (W/D/H)
1 plastic lock housing - 45 x 29 x 118 mm (W/D/H)
1 metal striking plate

Specifications:

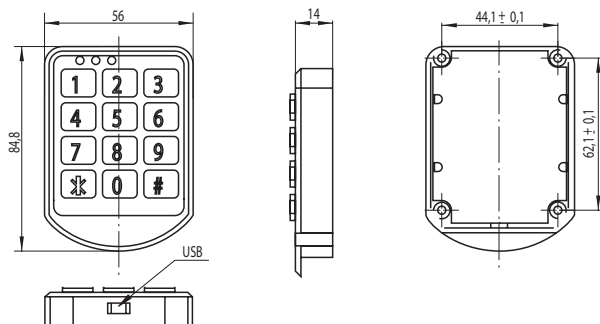
Master code & user code
1 – 10 digits code
Pre-coded as public version (temporary user code) but can be re-coded to private version (Permanent user code)
Alarm for low power
Power supply by DC6V (4 pcs. AA 1,5V alkaline batteries)
Battery life time: Opens > 20.000 times, can still open 200 times after low power alarm
Plug for external power supply
Working temperature: -15 to +65 Celsius
Working humidity: <=95 %

Item No.:

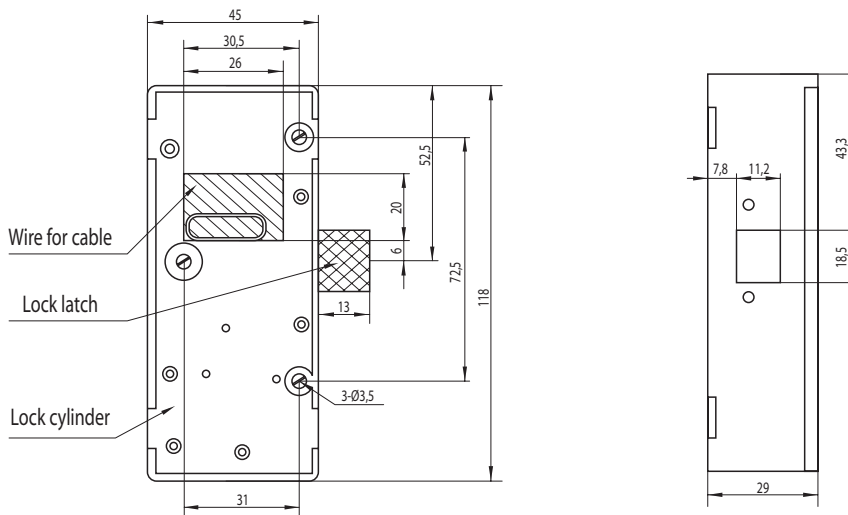
Lock: # 14.60.322
External battery box: # 14.60.325



EXTERNAL BATTERY BOX



Back hole of door is Ø3,5



Application:

Suitable for companies, hotels, super market storage cabinets, schools, swim- & sauna bathing spots, golf courses & oilrigs. May be used for hinged doors & sliding doors depending on striker used.

Specifications:

Black ABS lock body case.
 Operated by Mifare1 technology. (13,56 MHz)
 Power supply by DC6V (4 x AA 1,5V alkaline batteries).
 Working temperature: -15 – +65° Celsius.
 Working humidity: <=90 %

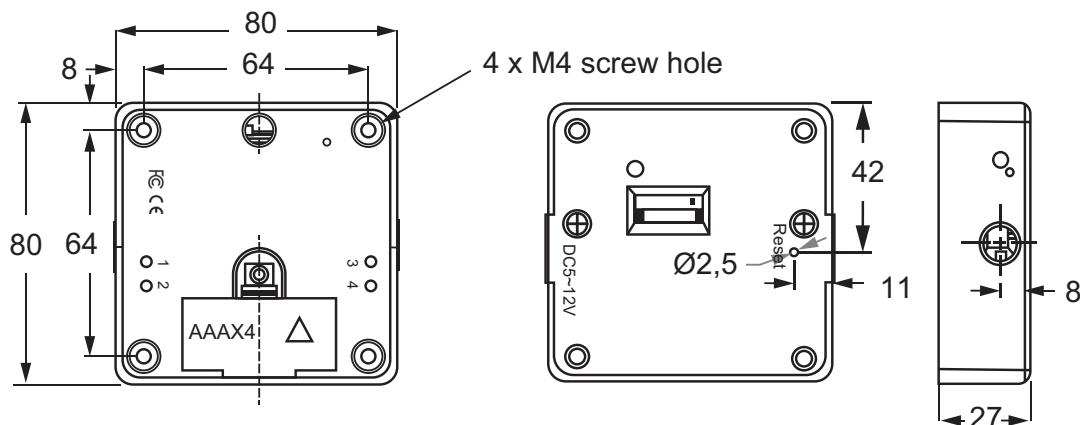
Features:

Pre-coded to public mode. May be changed to private or office mode by use of programming buttons on the lock.
 (see detailed user manual on www.siso.dk)
 30 users may be programmed per lock.
 W/alarm function (may be switched off)
 Standalone lock. (No wiring needed)
 Invisible installation.
 Signal goes through max. 20 mm wood/glass panels.
 May be programmed to double key function

Size: 80 x 80 x 27 mm

Item No.: # 14.60.280

(Batteries, keys, cards & strikers to be bought separately)



MIFARE1 KEYS & CARDS

Key Fob, black

Recommended to use as user key

Item No.: # 14.60.357

Plastic Card, white

Recommended to use as Master card & Delete card.

May be used as user card as well.

Item No.: # 14.60.346



PUSH TO OPEN STRIKER F/HINGED DOORS

Application:

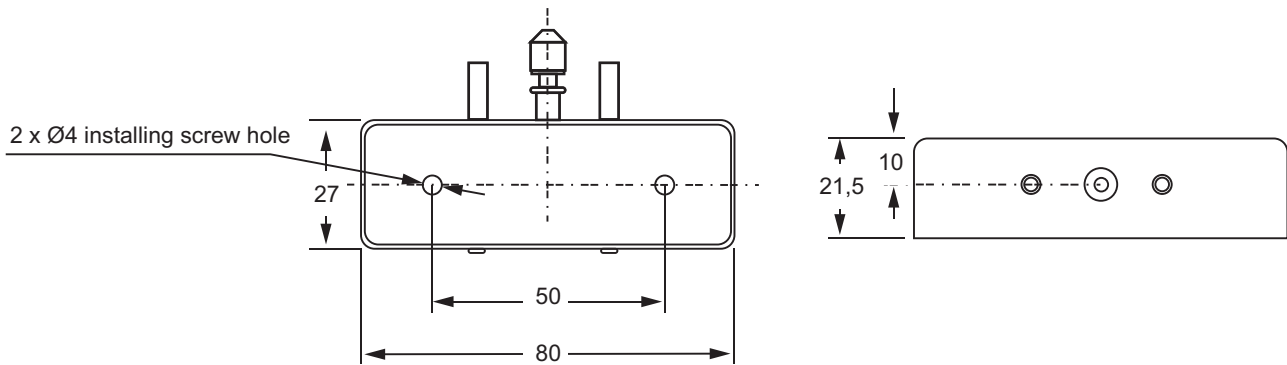
For hinged doors. W/push to open function.

Specifications:

Black ABS body case
Steel springs & pins

Size: 80 x 27 x 21,5 mm

Item No.: # 14.60.285



PUSH TO OPEN STRIKER F/SLIDING DOORS

Application:

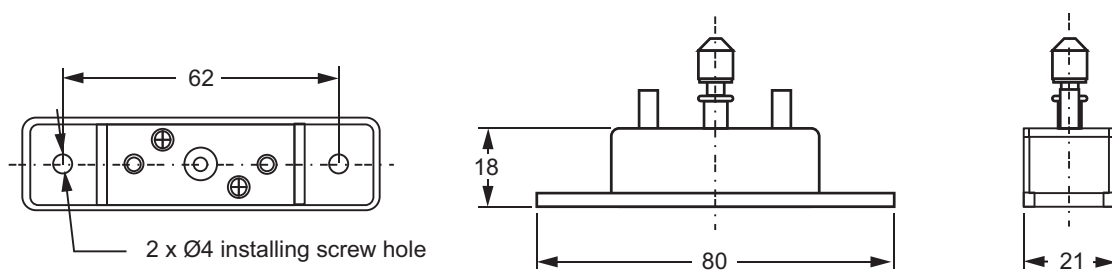
For sliding doors. W/push to open function.

Specifications:

Black ABS body case
Steel springs & pins

Size: 80 x 21 x 18 mm

Item No.: # 14.60.286



Application:

Suitable for companies, hotels, super market storage cabinets, schools, swim- & sauna bathing spots, golf courses & oilrigs. May be used for hinged doors & sliding doors.

Specifications:

Black ABS lock body case.
 Operated by Mifare1 technology. (13,56 MHz)
 Power supply by CR123A Lithium battery.
 Working temperature: -15 - +65 Celsius.
 Working humidity: <=90 %

Features:

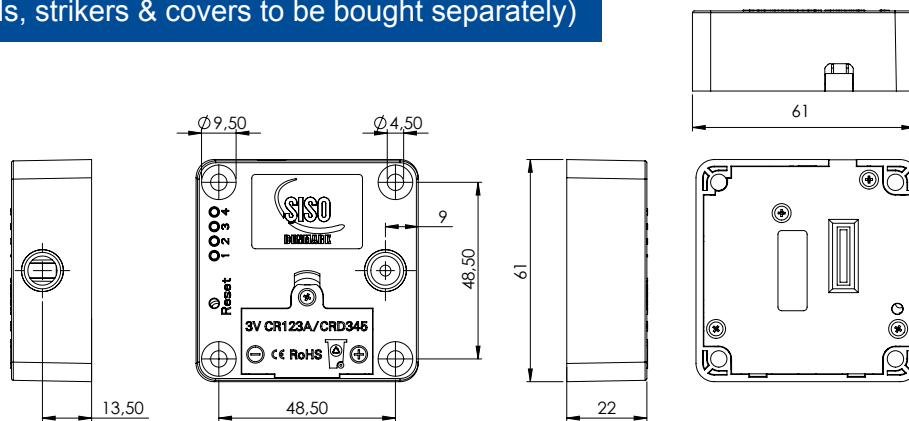
Pre-coded to public mode. May be changed to private or office mode by use of programming buttons on the lock. (see detailed user manual on www.siso.dk)
 49 users may be programmed per lock.
 W/alarm function (may be switched off)
 Standalone lock. (No wiring needed)
 Invisible installation. Signal goes through max. 20mm wood/glass panels.
 May be programmed to double key function



Size: 61 x 61 x 22 mm

Item No.: # 14.60.275

(Batteries, keys, cards, strikers & covers to be bought separately)



MIFARE1 KEYS & CARDS

Key Fob, black

Recommended to use as user key

Item No.: # 14.60.357

Plastic Card, white

Recommended to use as Master card & Delete card.
 May be used as user card as well.

Item No.: # 14.60.346



PUSH TO OPEN STRIKER FOR HINGED DOORS & SLIDING DOORS



Application:

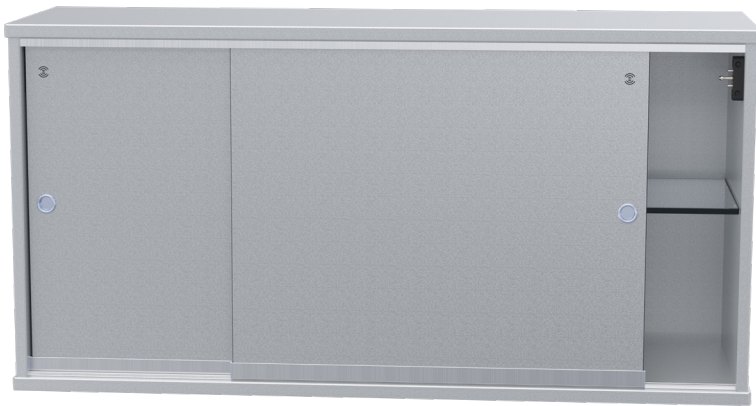
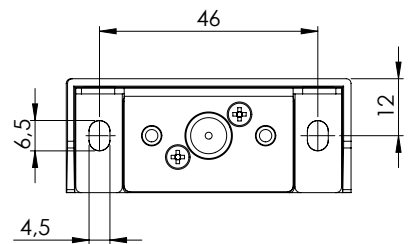
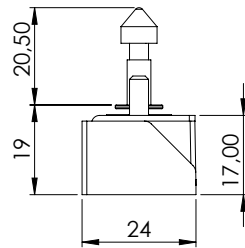
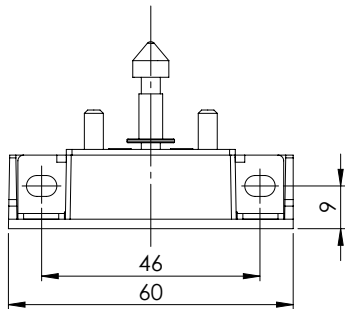
For hinged doors & sliding doors.
With push to open function.

Specifications:

Black ABS frame
Steel body, spring & pins

Size: 60 x 24 x 17 mm

Item No.: # 14.60.276



PROTECTION COVER FOR LOCK

Application:

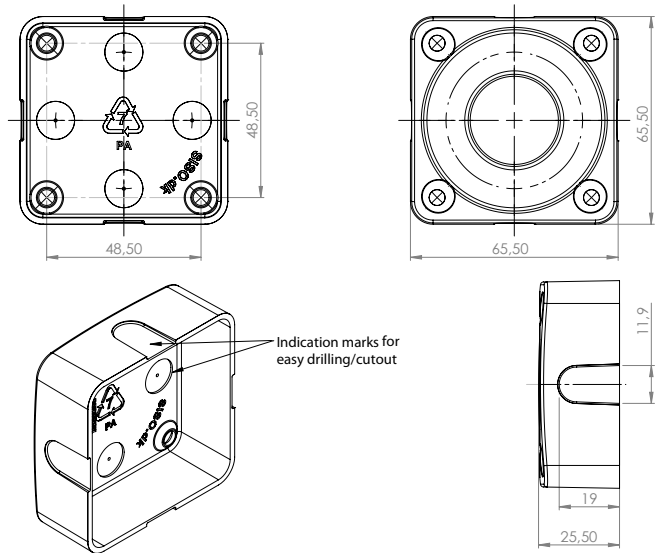
For hiding the program buttons & battery cover. To be installed after programming of the lock. With indication marks for easy cutout/drilling according to application needed.

Specifications:

Black PA

Size: 65,5 x 65,5 x 25,5 mm

Item No.: # 14.60.277



PROTECTION COVER FOR STRIKER

Application:

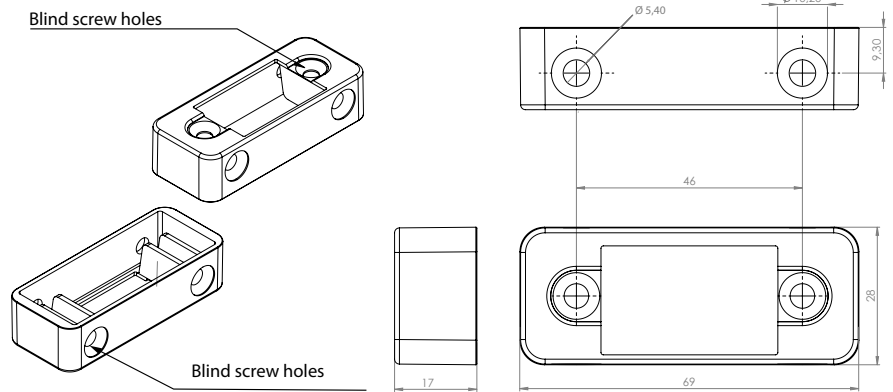
For elegant/smooth design. With blind screw holes for easy drilling according to application needed.

Specifications:

Black PA

Size: 69 x 28 x 17 mm

Item No.: # 14.60.278



ELECTRONIC FINGERPRINT LOCK "MINI"



Application:

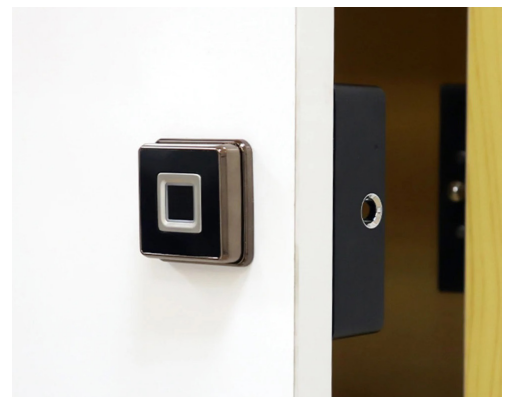
Suitable for companies, hotels, super market storage cabinets, schools, swim- & sauna bathing spots, golf courses & oilrigs. May be used for hinged doors & sliding doors.

Specifications:

Black ABS lock body case.
 Power supply by CR123A Lithium battery.
 Working temperature: -15 - +65 Celsius.
 Working humidity: <=90 %

Features:

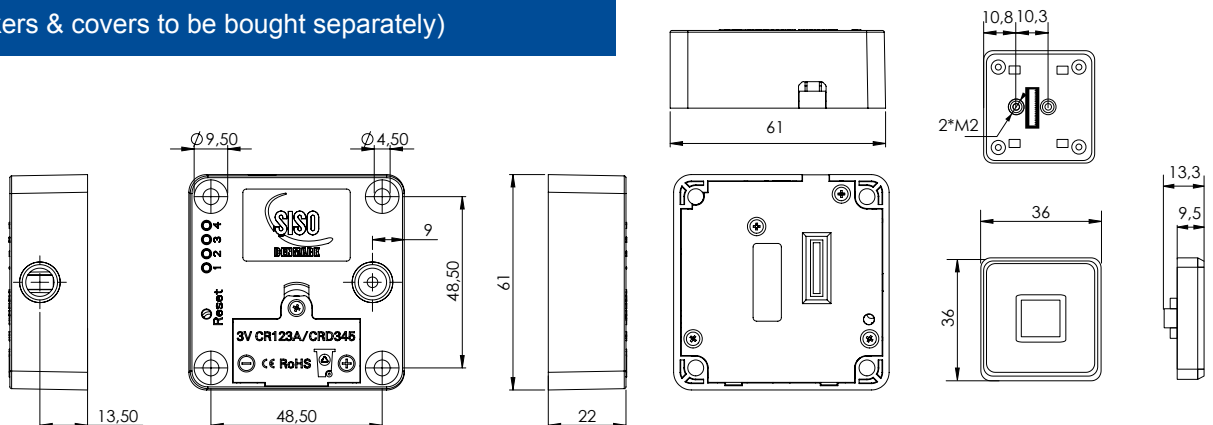
Pre-coded to public mode. May be changed to private or office mode by use of programming buttons on the lock. (see detailed user manual on www.siso.dk)
 100 fingerprints may be programmed per lock.
 W/ alarm function (may be switched off)
 Standalone lock. (No wiring needed)
 Visible installation. With fingerprint front panel.



Size: 61 x 61 x 22 mm

Item No.: # 14.60.290-5

(Batteries, strikers & covers to be bought separately)



Application:

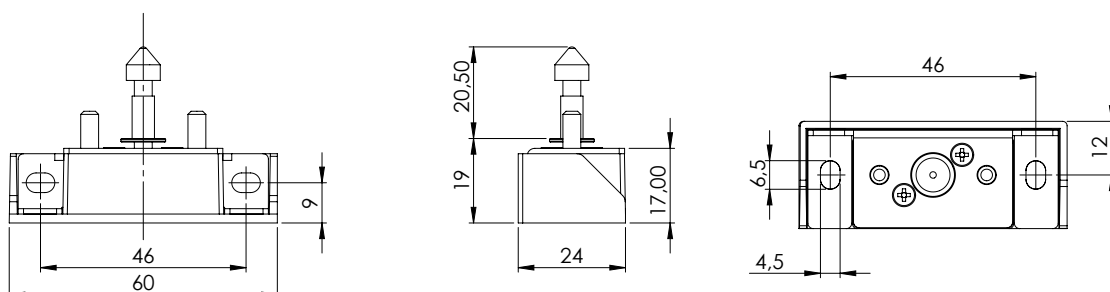
For hinged doors & sliding doors.
 With push to open function.

Specifications:

Black ABS frame
 Steel body, spring & pins

Size: 60 x 24 x 17 mm

Item No.: # 14.60.276





- high quality furniture fittings

SISO A/S

Mileparken 11 Phone: (+45) 45 830 900
DK - 2740 Skovlunde (Copenhagen) E-mail: siso@siso.dk
Denmark Web: www.siso.dk